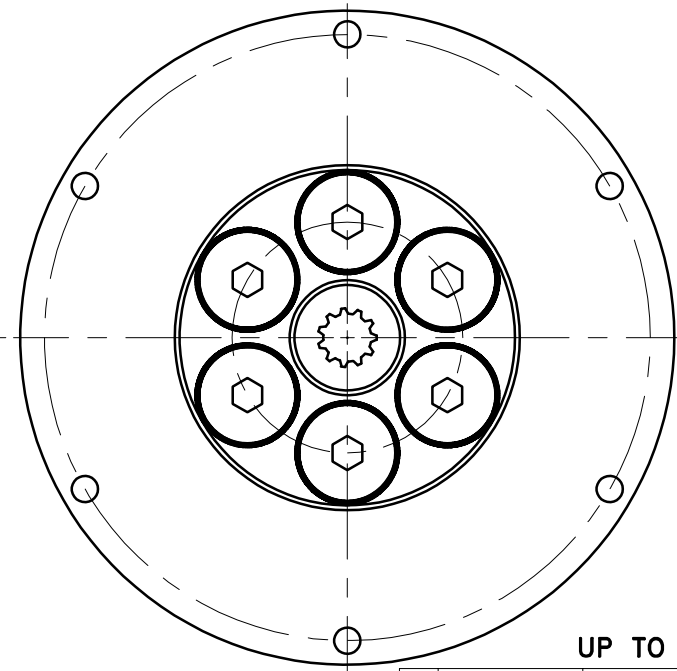
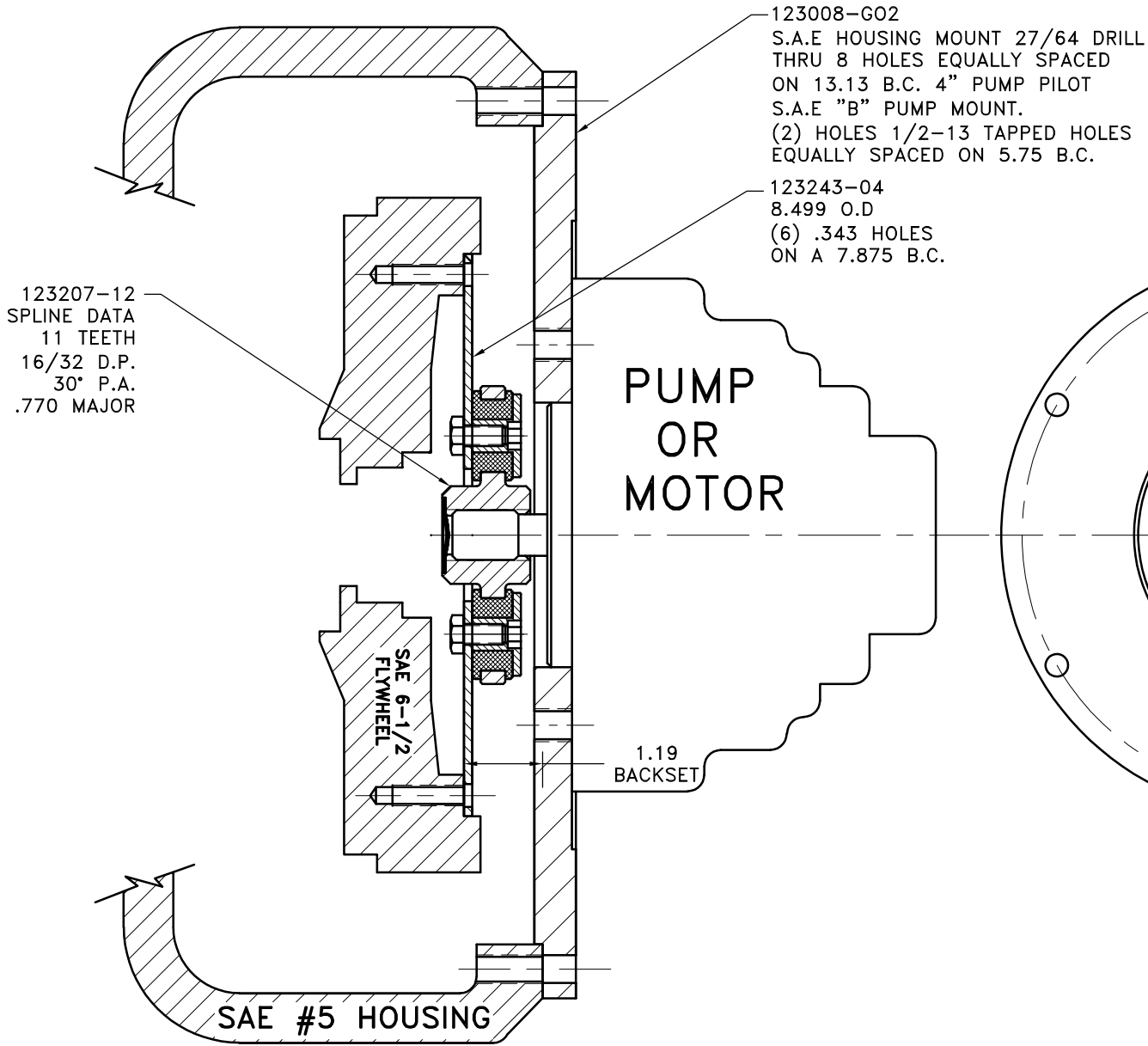


REV	DATE	CHANGE DESCRIPTION	MOD.BY	CK1	CK2
E	04/25/2006	CHANGED TO BOLTED INSERTS	ZS	HM	RJH



PUMP
OR
MOTOR

UP TO 50 HP

COUPLING ASS'Y
#123457

QTY.	DESCRIPTION	PART NUMBER
1	FLYWHEEL PLATE	123243-04
1	COUPLING HUB	123207-12
6	NEOPRENE INSERT	H52500
6	THREADED BUSHING	123729-01
1	5/16-24 x 5/8 HHB BOLT	HP-1125-S-32
1	HUBBARD PLUG	801912
1	PUMP MOUNT PLATE	123008-G02

SYMBOLS		DET.	PART NUMBER	DESCRIPTION	QTY.
	FLATNESS	DO NOT SCALE			
	STRAIGHTNESS	DRAWING			
	ANGULARITY	TOLERANCES UNLESS OTHERWISE SPECIFIED			
	PERPENDICULARITY	125 MAXIMUM			
	PARALLELISM	ANGLE ±1/2°			
	CONCENTRICITY	FRACTION ±1/32			
	TRUE POSITION	DECIMAL			
	ROUNDNESS	.00 ±.01			
	CIRCULAR RUN OUT	.000 ±.005			
	TOTAL RUN OUT	.0000 ±.0005			
	CYLINDRICITY				
	FINISH				



TITLE
FLYWHEEL COUPLING ASS'Y

MATERIAL

CLASS SAE 6.5	MAKE: <input checked="" type="checkbox"/> BUY: <input type="checkbox"/>	DRAWN BY LANNEN	DATE 10-10-89	DRAWING NO. 123024
DESCRIPTION 6-1/2,5,11T16/32,B2,50	CHECKED BY	SCALE	SHEET OF	REV.

KUBOTA DIESEL D600 W/ SUNDSTRAND 15-2074 PUMP

THIS DRAWING IS THE PROPERTY OF HAYES MFG. INC. AND IS LOANED SUBJECT TO THE CONDITION THAT IT SHALL NOT BE REPRODUCED, COPIED, LOANED OR OTHERWISE DISPOSED OF, DIRECTLY OR INDIRECTLY. IT SHALL BE USED AS A MEANS OF REFERENCE TO WORK FURNISHED BY THIS COMPANY ONLY AND IS NOT TO BE SUBMITTED TO OUTSIDE PARTIES FOR EXAMINATION WITHOUT OUR CONSENT.