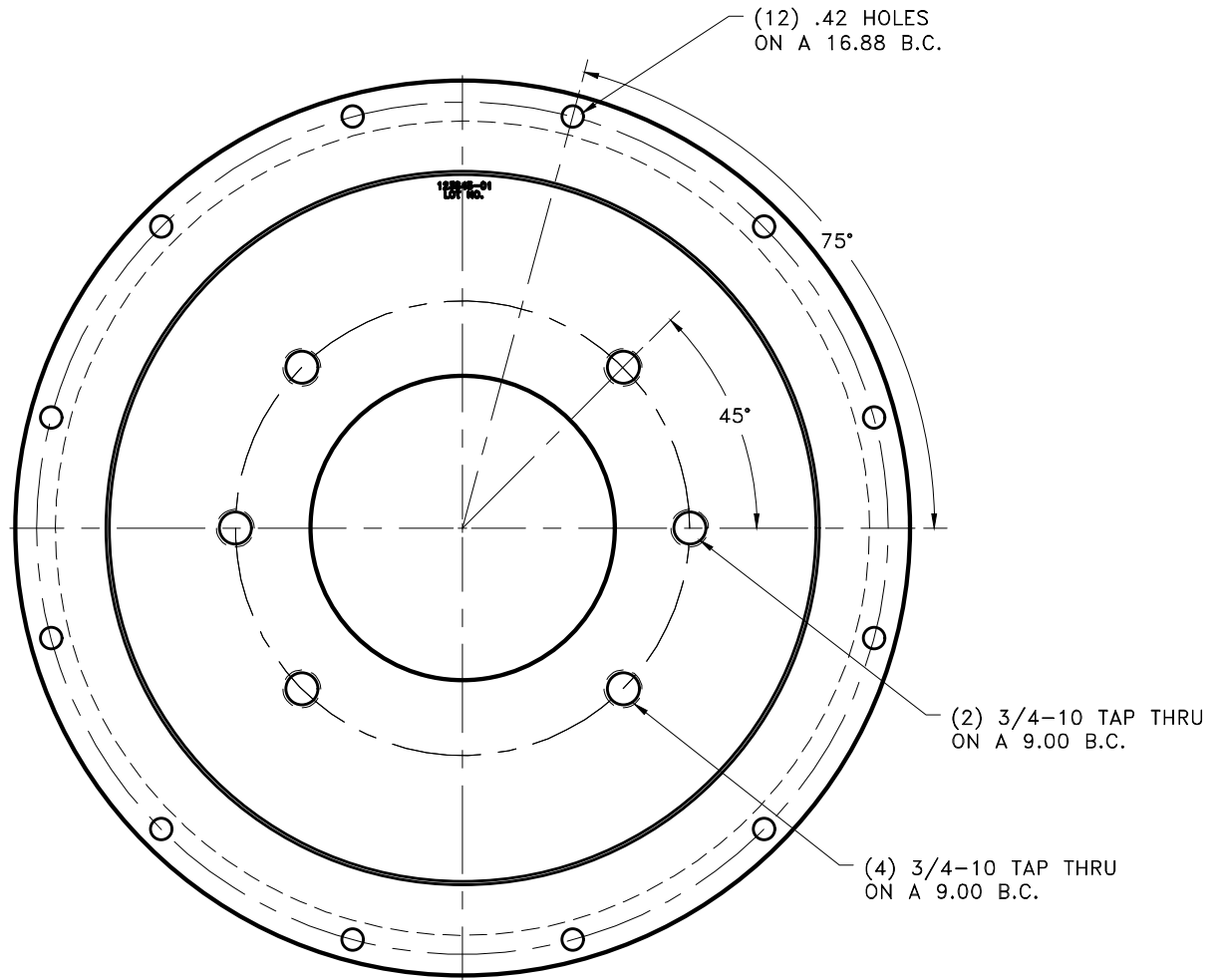
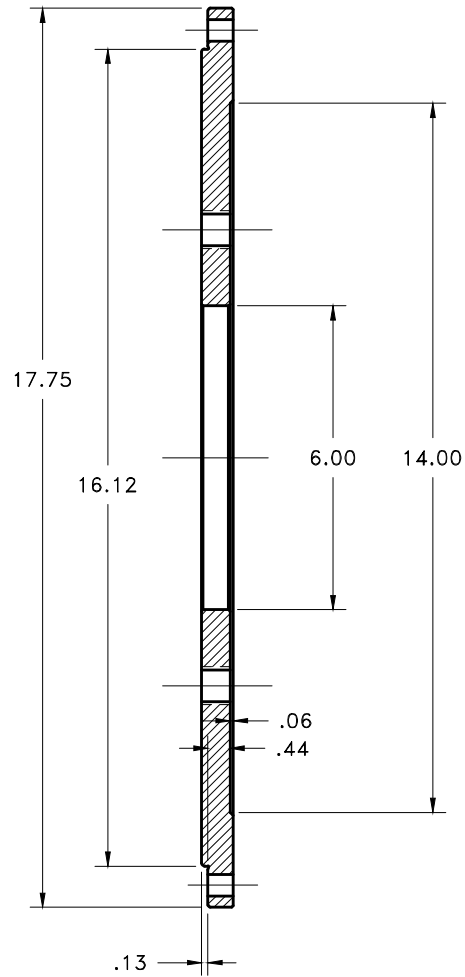


REV	DATE	CHANGE DESCRIPTION	MOD.BY	CK1	CK2



THIS DRAWING IS THE PROPERTY OF HAYES MFG. INC. AND IS LOANED SUBJECT TO THE CONDITION THAT IT SHALL NOT BE REPRODUCED, COPIED, LOANED OR OTHERWISE DISPOSED OF, DIRECTLY OR INDIRECTLY. IT SHALL BE USED AS A MEANS OF REFERENCE TO WORK FURNISHED BY THIS COMPANY ONLY AND IS NOT TO BE SUBMITTED TO OUTSIDE PARTIES FOR EXAMINATION WITHOUT OUR CONSENT.

SYMBOLS		DET.	PART NUMBER	DESCRIPTION	QTY.
	FLATNESS	DO NOT SCALE	123008-DSR, DS2, DS4	HAYES MANUFACTURING INC. ®	TITLE PUMP MOUNT PLATE
	STRAIGHTNESS	DRAWING			
	ANGULARITY	TOLERANCES UNLESS OTHERWISE SPECIFIED	MATERIAL 123008-DSR, DS2, DS4		
	PERPENDICULARITY	ANGLE ±1/2°	DRAWN BY		
	PARALLELISM	FRACTION ±1/32	DATE 03-01-2010		
	CONCENTRICITY	DECIMAL .00 ±.01	CHECKED BY		
	TRUE POSITION	MAXIMUM 1/32	SCALE		
	ROUNDNESS	FINISH	DRAWING NO. 123845-01		
	CIRCULAR RUN OUT	MAKE: <input type="checkbox"/> BUY: <input type="checkbox"/>	SHEET OF REV.		
	TOTAL RUN OUT				
	CYLINDRICITY				
	FINISH				