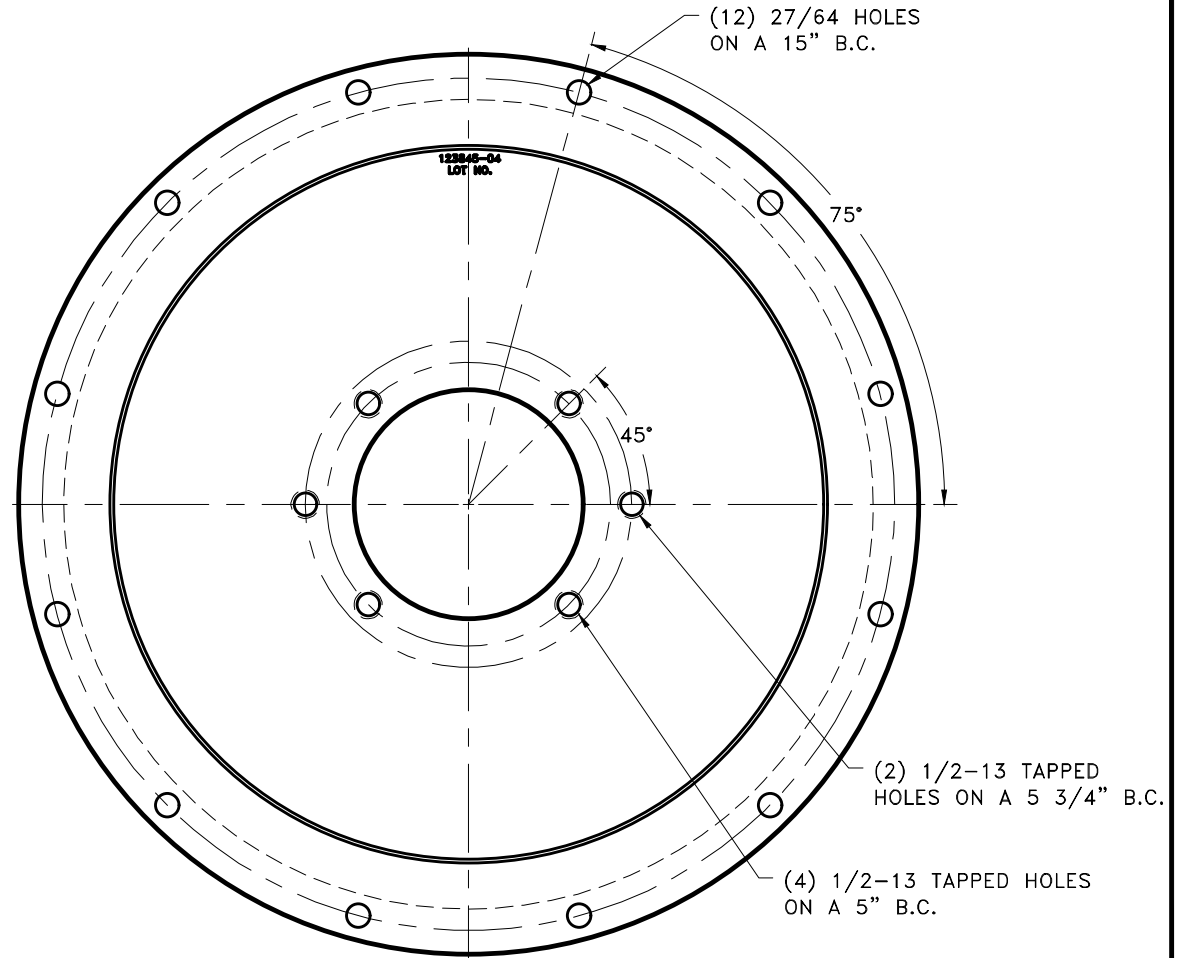
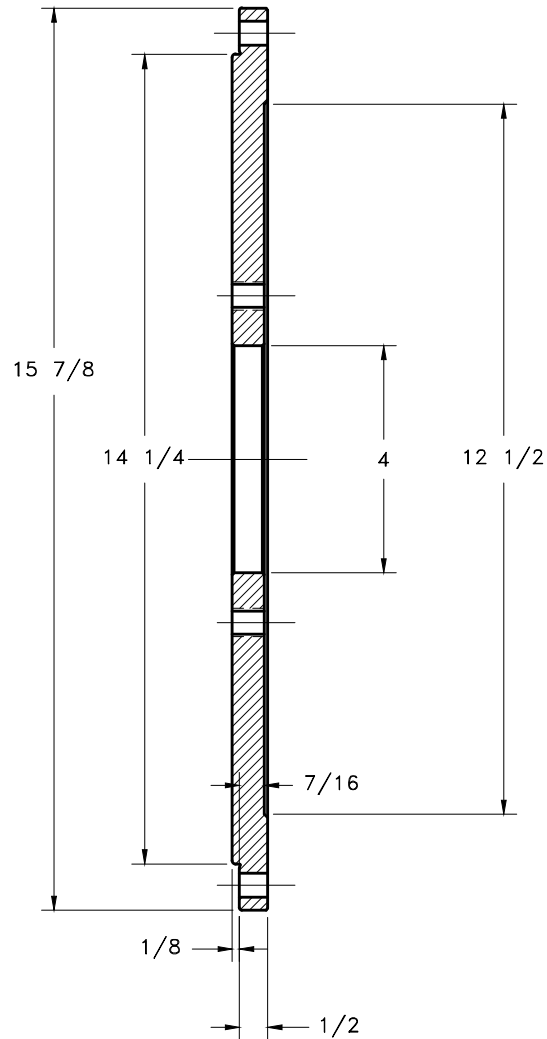


REV	DATE	CHANGE DESCRIPTION	MOD. BY	CK1	CK2
A1	03/01/2010	MADE NEW PRINTS	ZS	HM	RJH



THIS DRAWING IS THE PROPERTY OF HAYES MFG. INC. AND IS LOANED SUBJECT TO THE CONDITION THAT IT SHALL NOT BE REPRODUCED, COPIED, LOANED OR OTHERWISE DISPOSED OF, DIRECTLY OR INDIRECTLY. IT SHALL BE USED AS A MEANS OF REFERENCE TO WORK FURNISHED BY THIS COMPANY ONLY AND IS NOT TO BE SUBMITTED TO OUTSIDE PARTIES FOR EXAMINATION WITHOUT OUR CONSENT.

SYMBOLS		DET.	PART NUMBER	DESCRIPTION	QTY.
	FLATNESS	DO NOT SCALE		HAYES MANUFACTURING INC. ®	
	STRAIGHTNESS	DRAWING			
	ANGULARITY	TOLERANCES UNLESS OTHERWISE SPECIFIED		TITLE	PUMP MOUNT PLATE
	PERPENDICULARITY	1/32" MAXIMUM		MATERIAL	123008-EOR, EO2, EO4
	PARALLELISM	ANGLE ±1/2°		CLASS	
	CONCENTRICITY	FRACTION ±1/32	MAKE: <input type="checkbox"/> BUY: <input type="checkbox"/>	DRAWN BY	DATE
	TRUE POSITION	DECIMAL		SIETING	03-01-2010
	ROUNDNESS	.00 ±.01		CHECKED BY	SCALE
	CIRCULAR RUN OUT	.0000 ±.005		RJH	
	TOTAL RUN OUT	.0000 ±.0005			
	CYLINDRICITY				
	FINISH				
DESCRIPTION		DRAWING NO.		123845-04	
		SHEET		OF REV.	