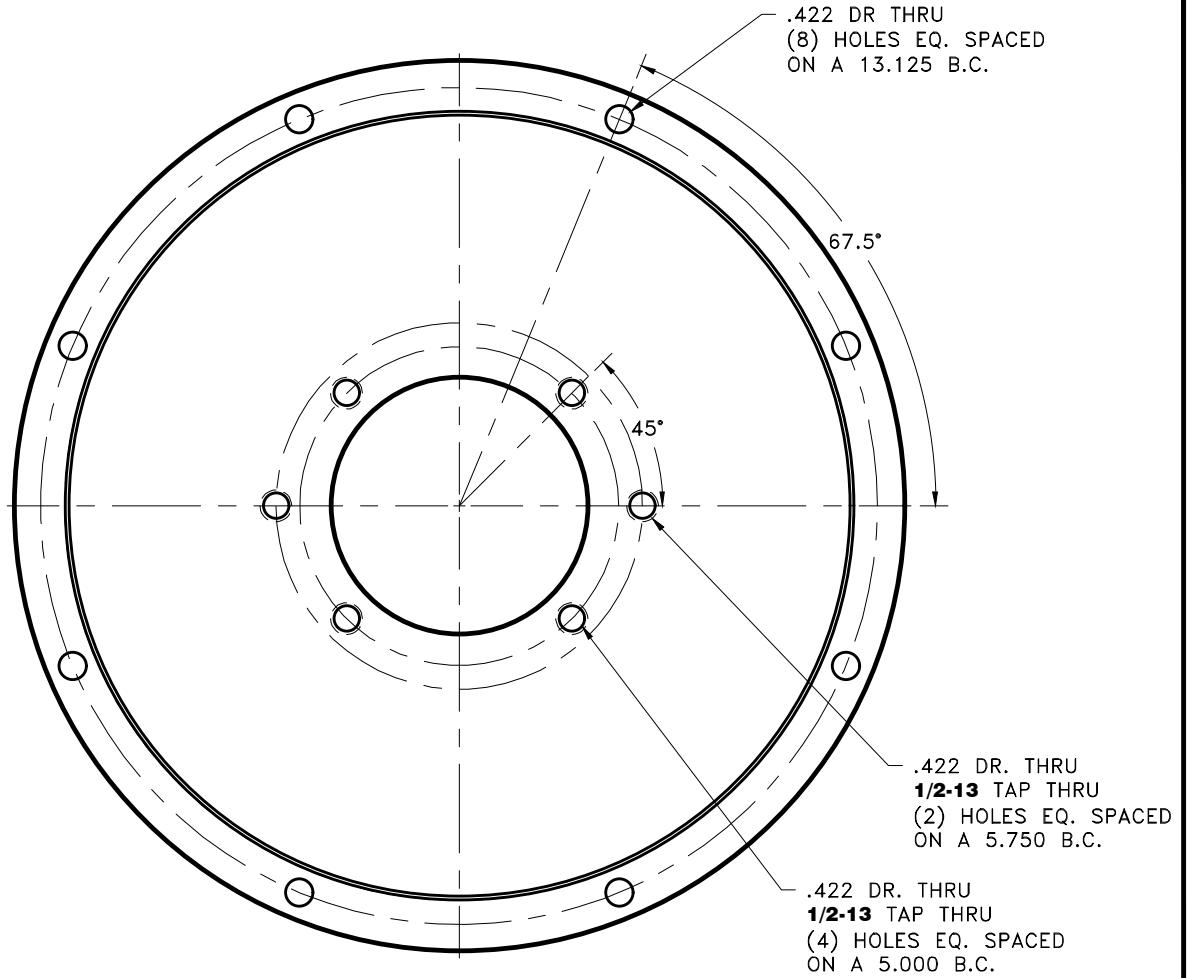
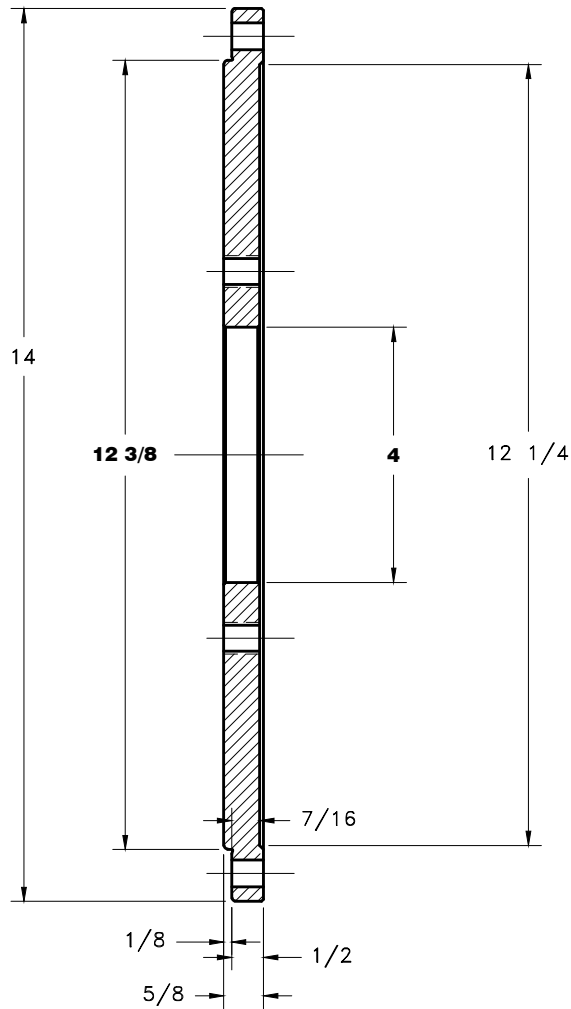


| REV | DATE       | CHANGE DESCRIPTION          | MOD.BY | CK1 | CK2 |
|-----|------------|-----------------------------|--------|-----|-----|
| D   | 09/28/2010 | CHANGED C'BORE DIA FOR -.05 | ZS     | RJH | JM  |



| SYMBOLS     |                  | DET.   | PART NUMBER | DESCRIPTION                          | QTY.                 |
|-------------|------------------|--|-------------|--------------------------------------|----------------------|
|             | FLATNESS         | DO NOT SCALE   |             | <b>HAYES</b><br>MANUFACTURING INC. ® |                      |
|             | STRAIGHTNESS     | DRAWING  |             |                                      | TITLE                |
|             | ANGULARITY       | TOLERANCES UNLESS OTHERWISE SPECIFIED                        |             | MATERIAL                             | 123008-GOR, GO2, GO4 |
|             | PERPENDICULARITY | ANGLE ±1/2°  |             | DRAWN BY                             | DATE                 |
|             | PARALLELISM      | FRACTION ±1/32   |             | SIETING                              | 03-01-2010           |
|             | CONCENTRICITY    | DECIMAL  |             | CHECKED BY                           | SCALE                |
|             | TRUE POSITION    | .00 ±.01   |             | RJH                                  |                      |
|             | ROUNDNESS        | .0000 ±.0005   |             |                                      |                      |
|             | CIRCULAR RUN OUT |  |             |                                      |                      |
|             | TOTAL RUN OUT    |  |             |                                      |                      |
|             | CYLINDRICITY     |  |             |                                      |                      |
|             | FINISH           |  |             |                                      |                      |
| CLASS       |                  | MAKE: <input type="checkbox"/> BUY: <input type="checkbox"/> | DRAWING NO. |                                      |                      |
| DESCRIPTION |                  | DRAWING NO.  |             | 123845-05                            |                      |
|             |                  | SHEET  |             | OF REV.                              |                      |

THIS DRAWING IS THE PROPERTY OF HAYES MFG. INC. AND IS LOANED SUBJECT TO THE CONDITION THAT IT SHALL NOT BE REPRODUCED, COPIED, LOANED OR OTHERWISE DISPOSED OF, DIRECTLY OR INDIRECTLY. IT SHALL BE USED AS A MEANS OF REFERENCE TO WORK FURNISHED BY THIS COMPANY ONLY AND IS NOT TO BE SUBMITTED TO OUTSIDE PARTIES FOR EXAMINATION WITHOUT OUR CONSENT.