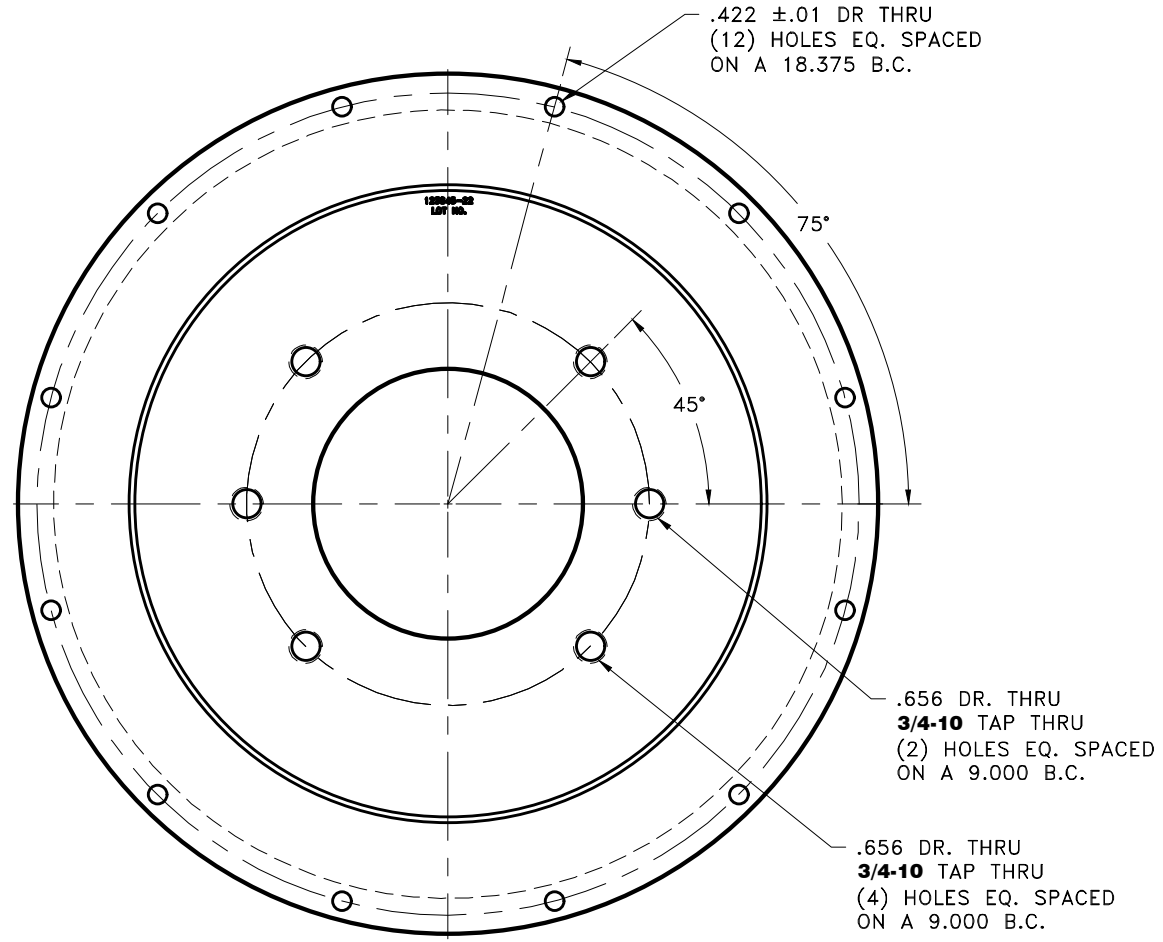
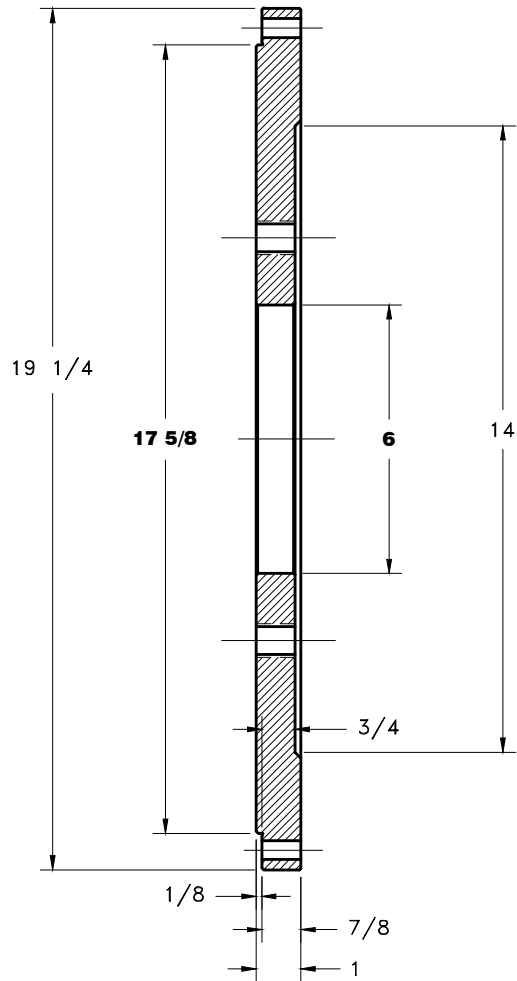


REV	DATE	CHANGE DESCRIPTION	MOD.BY	CK1	CK2



THIS DRAWING IS THE PROPERTY OF HAYES MFG. INC. AND IS LOANED SUBJECT TO THE CONDITION THAT IT SHALL NOT BE REPRODUCED, COPIED, LOANED OR OTHERWISE DISPOSED OF, DIRECTLY OR INDIRECTLY. IT SHALL BE USED AS A MEANS OF REFERENCE TO WORK FURNISHED BY THIS COMPANY ONLY AND IS NOT TO BE SUBMITTED TO OUTSIDE PARTIES FOR EXAMINATION WITHOUT OUR CONSENT.

SYMBOLS		DET.	PART NUMBER	DESCRIPTION	QTY.
	FLATNESS	DO NOT SCALE			
	STRAIGHTNESS	DRAWING			
	ANGULARITY	TOLERANCES UNLESS OTHERWISE SPECIFIED			
	PERPENDICULARITY	1/32" MAXIMUM			
	PARALLELISM	ANGLE ±1/2°			
	TRUE POSITION	FRACTION ±1/32			
	ROUNDNESS	DECIMAL			
	CIRCULAR RUN OUT	.00 ±.01			
	TOTAL RUN OUT	.000 ±.005			
	CYLINDRICITY	.0000 ±.0005			
	FINISH				
CLASS		MAKE: <input checked="" type="checkbox"/> BUY: <input type="checkbox"/>		DRAWN BY	
PMP2				DATE 08-21-2015	
DESCRIPTION		SAE2,D2+4,1,PMP		CHECKED BY	
				SCALE	
				DRAWING NO. 123845-22	
				SHEET OF REV.	