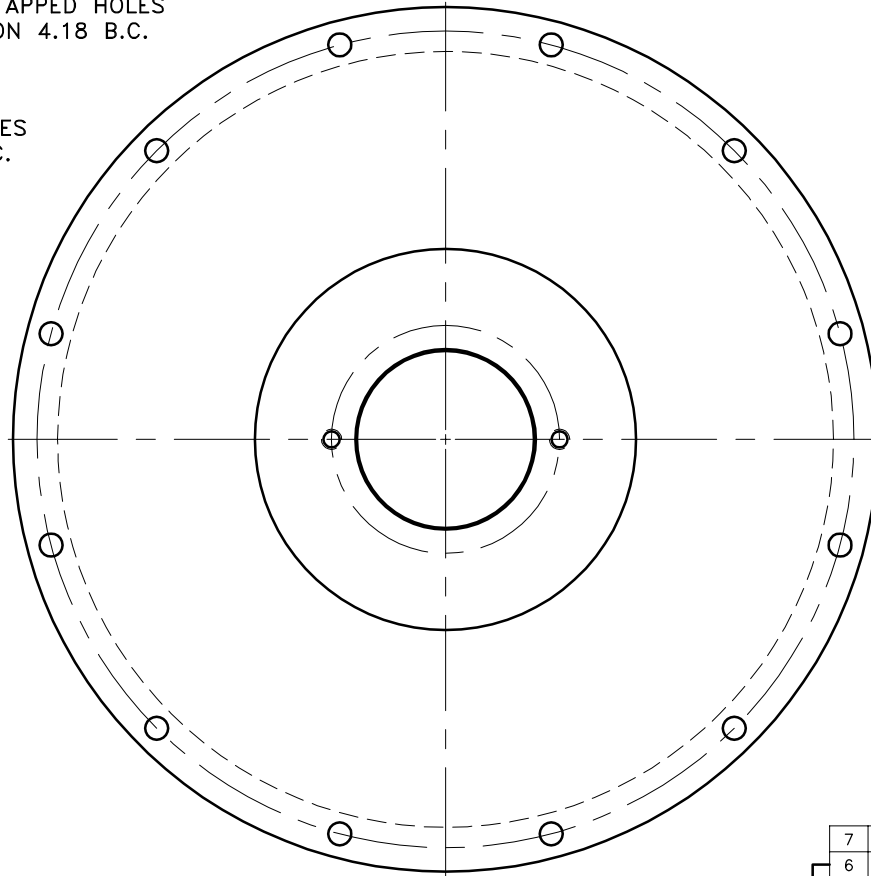
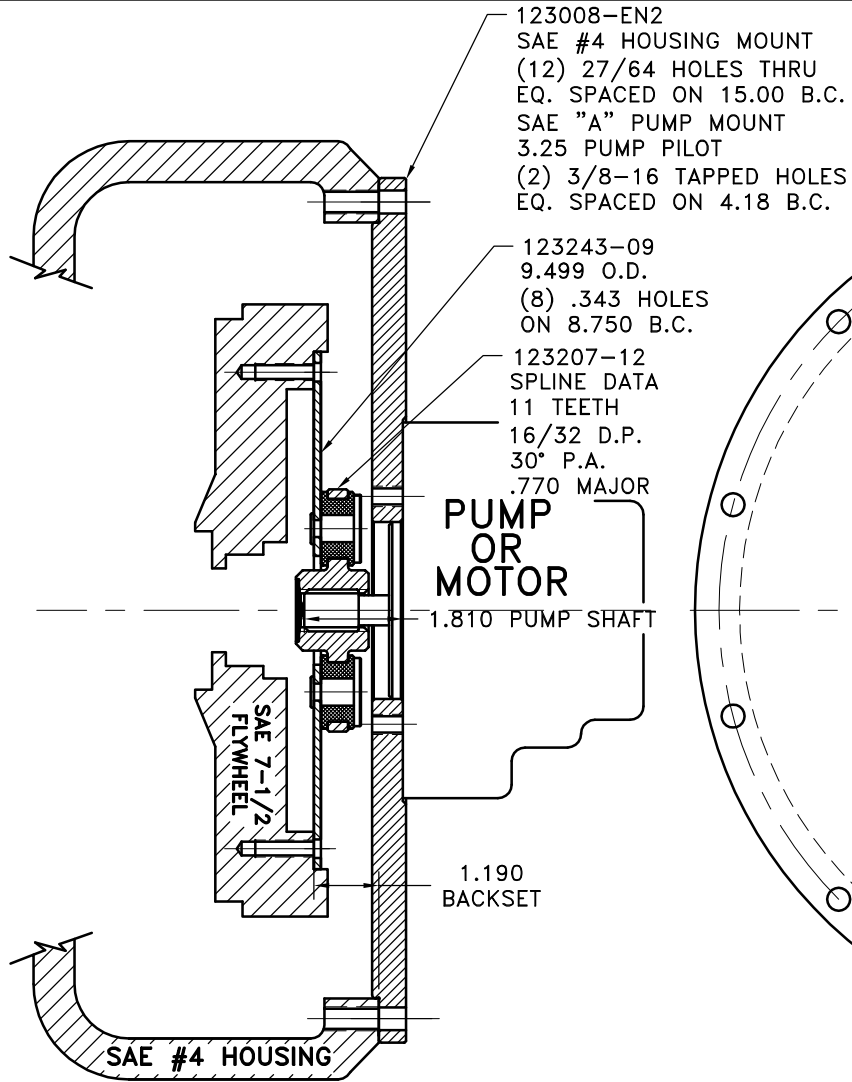


REV	DATE	CHANGE DESCRIPTION	MOD.BY	CK1	CK2
A1	08/28/2003	UPDATED PRINT	ZS	RJH	HM



COUPLING ASS'Y #123338

UP TO 50 H.P.

DET.	PART NUMBER	DESCRIPTION	QTY.
7	123008-EN2	PUMP MOUNT PLATE [4]	1
6	801912	GREASE	1
5	HP-1125-S-32	HUBBARD PLUG	1
4	123206-01	STEEL RIVETS	6
3	H52500	NEOPRENE INSERT	6
2	123207-12	COUPLING HUB [11 16/32\3.000]	1
1	123243-09	FLYWHEEL PLATE [7.5\3.000]	1

SYMBOLS	DET.	PART NUMBER	DESCRIPTION
<ul style="list-style-type: none"> — FLATNESS — STRAIGHTNESS — ANGULARITY — SQUARENESS — PARALLELISM — CONCENTRICITY — TRUE POSITION — ROUNDNESS — CIRCULAR RUN OUT — TOTAL RUN OUT — CYLINDRICITY — FINISH 	DO NOT SCALE DRAWING TOLERANCES UNLESS OTHERWISE SPECIFIED		
	ANGLE ±1/2° FRACTION ±1/32 DECIMAL .00 ±.01 .000 ±.005 .0000 ±.0005		
			HAYES MANUFACTURING INC. ®
			TITLE FLYWHEEL COUPLING ASSY WITH PUMP MOUNT PLATE
			MATERIAL
			DRAWN BY SIETING
			DATE 05-07-98
			DRAWING NO. 125006
			CHECKED BY R/JH
			SCALE
			SHEET OF REV.

THIS DRAWING IS THE PROPERTY OF HAYES MFG. INC. AND IS LOANED SUBJECT TO THE CONDITION THAT IT SHALL NOT BE REPRODUCED, COPIED, LOANED OR OTHERWISE DISPOSED OF, DIRECTLY OR INDIRECTLY. IT SHALL BE USED AS A MEANS OF REFERENCE TO WORK FURNISHED BY THIS COMPANY ONLY AND IS NOT TO BE SUBMITTED TO OUTSIDE PARTIES FOR EXAMINATION WITHOUT OUR CONSENT.