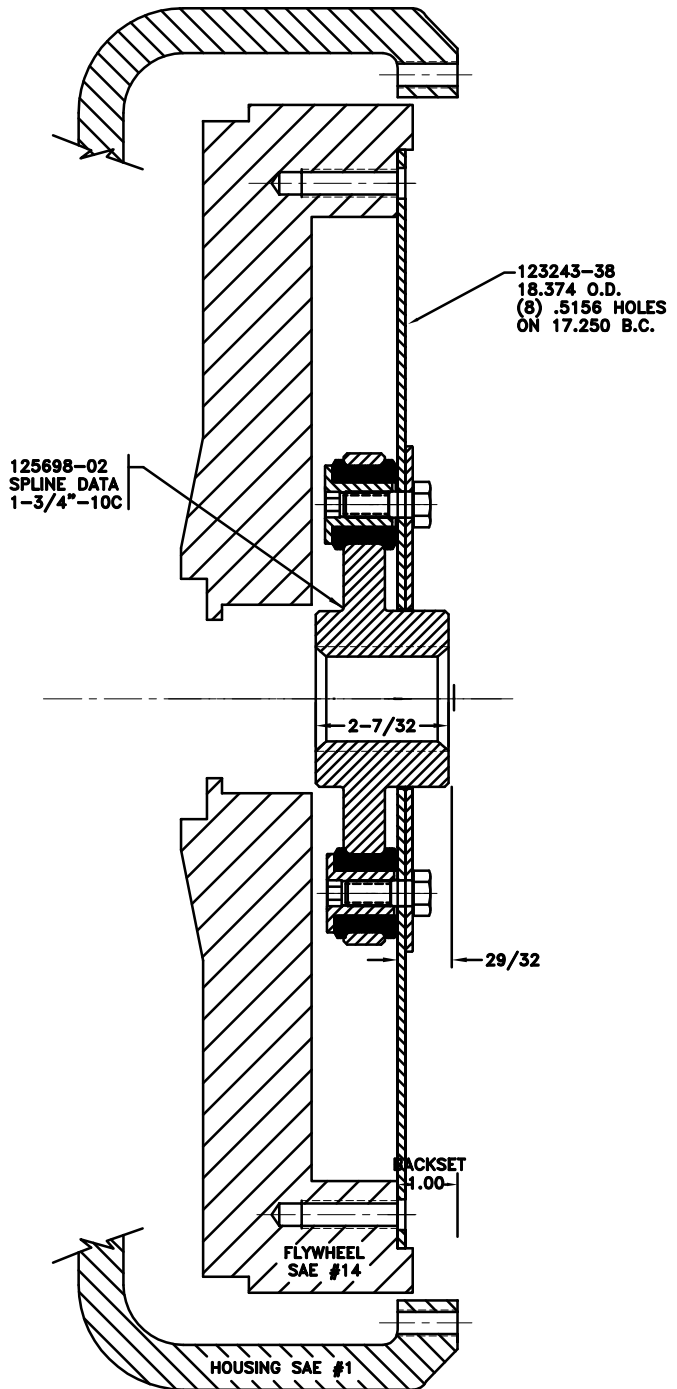


SYMBOL	DATE	CHANGE DESCRIPTION	BY



123243-38  
18.374 O.D.  
(8) .5156 HOLES  
ON 17.250 B.C.

125698-02  
SPLINE DATA  
1-3/4"-10C

2-7/32

29/32

BACKSET  
1.00

FLYWHEEL  
SAE #14

HOUSING SAE #1

UP TO 250 H.P.

QTY.	PART NUMBER	DESCRIPTION	QTY.
7	801912	GREASE	1
6	HX200	7/16-20-1 BOLT	10
5	124412	THREADED BUSHING	10
4	H92500	NEOPRENE INSERT	10
3	125698-02	COUPLING HUB	1
2	124961-01	BACKING PLATE	1
1	123243-38	FLYWHEEL PLATE	1

SYMBOLS	DO NOT SCALE DRAWING
FLANGES	TOLERANCES UNLESS OTHERWISE SPECIFIED
FINISHES	ANGLE 45°
APPROXIMATE	FRACTION 1/16
FORMAL	DECIMAL .0005
FUNCTIONAL	MIN OUT .0005
CONCENTRICITY	FINISH
TRUE POSITION	
SYMMETRY	
LOC. SURFACE	
BOUNDARY	
REMOVE	
FROM	

**HAYES**  
MANUFACTURING INC.

TITLE  
**FLYWHEEL COUPLING ASS'Y**

MATERIAL

UNLESS OTHERWISE SPECIFIED -	DRAWN BY	DATE	DRAWING NO.
REMOVE FIRST THREAD ON ALL TAPPED HOLES	HAVEMAN	2-3-00	125754
BREAK ALL SHARP CORNERS .010 TO .020	CHECKED BY	SCALE	SHEET OF REV.
SHARP CH EDGE DIMENSIONED IN.			

THIS DRAWING IS THE PROPERTY OF HAYES MFG. CO. AND IS LOANED SUBJECT TO THE CONDITION THAT IT SHALL NOT BE REPRODUCED, COPIED, LOANED OR OTHERWISE USED IN WHOLE OR IN PART, OR IN ANY MANNER, WITHOUT THE WRITTEN PERMISSION OF HAYES MFG. CO. IT SHALL BE USED AS A MEANS OF REFERENCE TO WORK PROVIDED BY THIS COMPANY ONLY AND IS NOT TO BE REPRODUCED OR OTHERWISE USED FOR COMMERCIAL PURPOSES WITHOUT OUR CONSENT.