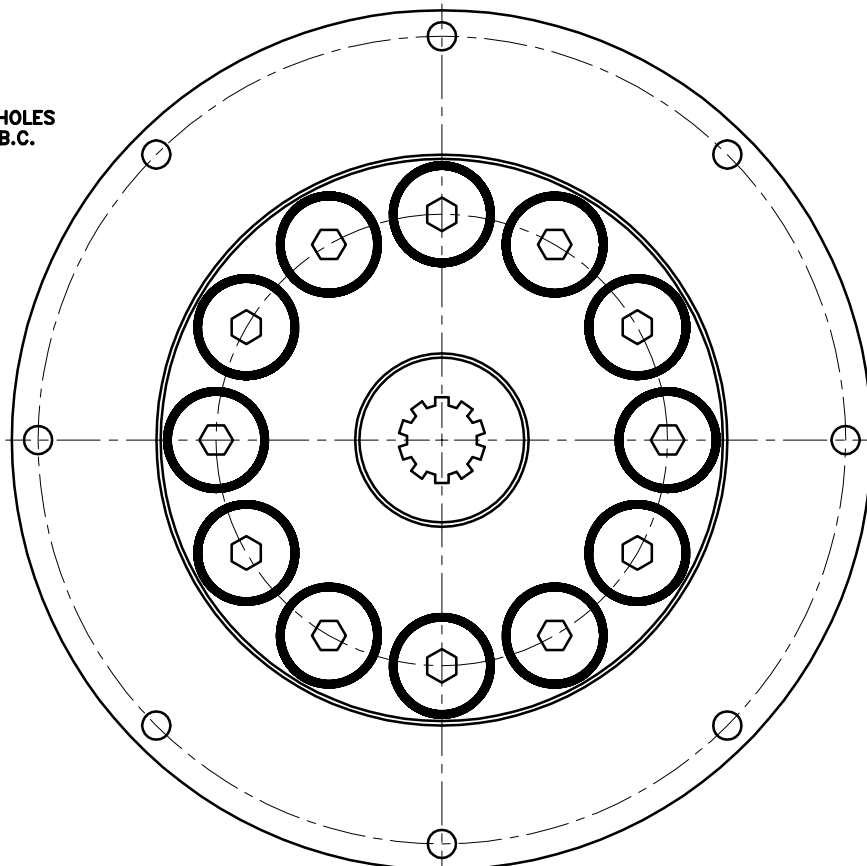
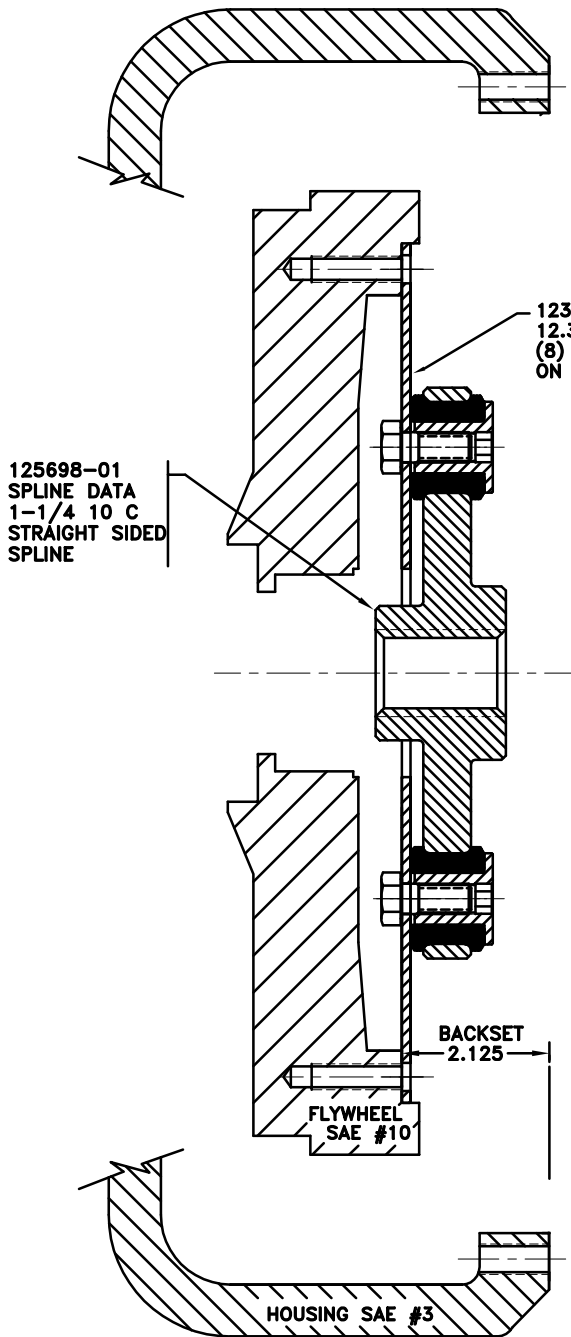


REV. NO.	SYM.	DATE	CHANGE DESCRIPTION	DWN.



UP TO 350 H.P.

QTY.	DESCRIPTION	PART NUMBER	DET.
1	FLYWHEEL PLATE	123243-48	2
1	COUPLING HUB	125698-01	2
12	NEOPRENE INSERT	H92500	3
12	THREADED BUSHING	124412	4
12	7/16-20-1 BOLT	HX200	5
1	GREASE	801912	6

SYMBOLS FLATNESS STRAIGHTNESS ANGULARITY SQUARENESS PARALLELISM CONCENTRICITY TRUE POSITION SYMMETRY LOC. SURFACE ROUNDNESS RUN OUT FURNESS	DET. PART NUMBER DESCRIPTION QTY.	
	DO NOT SCALE DRAWING TOLERANCES UNLESS OTHERWISE SPECIFIED ANGLE 1/16 FRACTION 1/32	
- UNLESS OTHERWISE SPECIFIED - REMOVE FIRST THREAD ON ALL TAPPED HOLES BREAK ALL SHARP CORNERS .010 TO .020 STAMP OR MARK DRAWING NO.	DRAWN BY HAVEMAN2-21-00 DATE 2-21-00 SCALE	DRAWING NO. 125799 SHEET OF REV.

THIS DRAWING IS THE PROPERTY OF HAYES MFG. INC. AND IS LOANED SUBJECT TO THE CONDITION THAT IT SHALL NOT BE REPRODUCED, COPIED, LOANED OR OTHERWISE DISPOSED OF, DIRECTLY OR INDIRECTLY. IT SHALL BE USED AS A MEANS OF REFERENCE TO WORK FURNISHED BY THIS COMPANY ONLY AND IS NOT TO BE SUBMITTED TO OUTSIDE PARTIES FOR EXAMINATION WITHOUT OUR CONSENT.