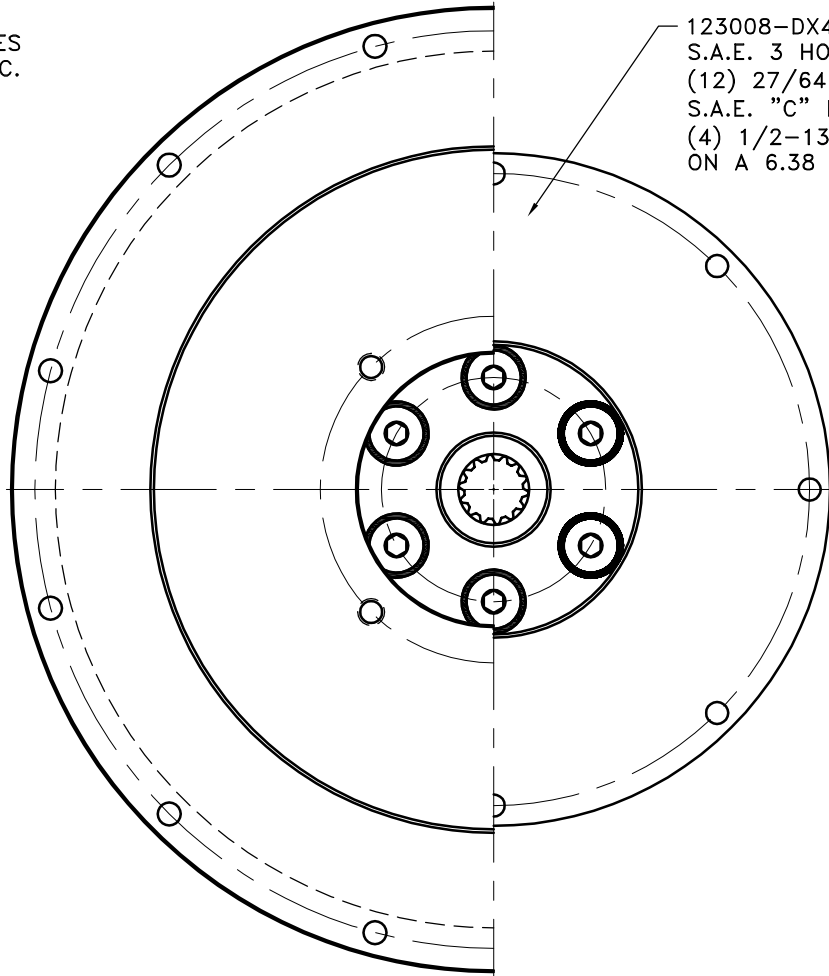
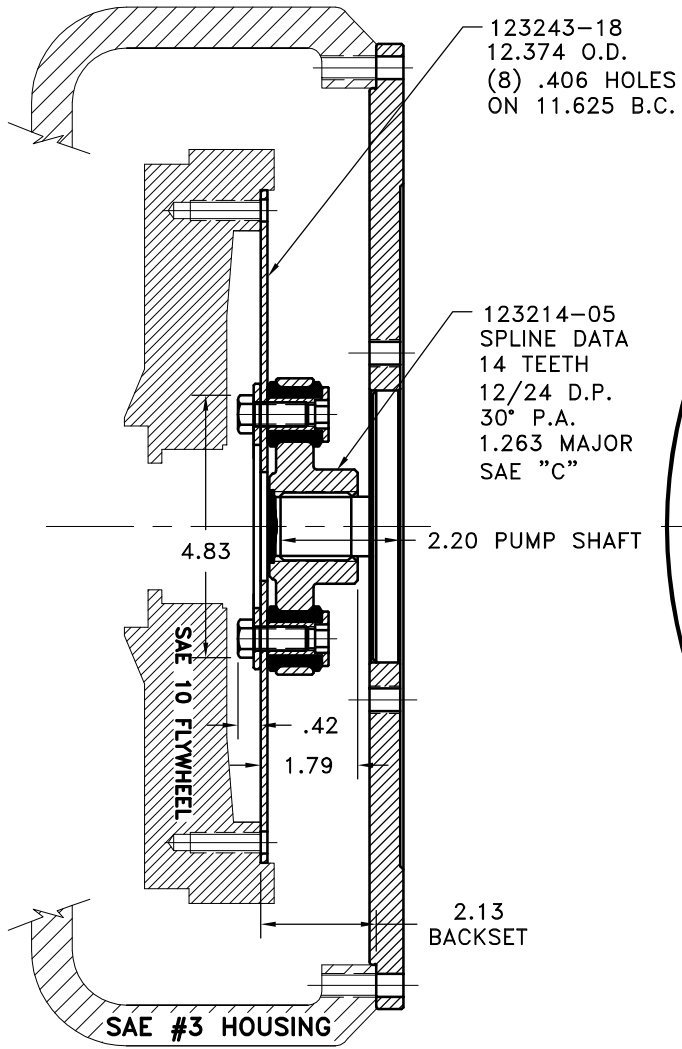


REV	DATE	CHANGE DESCRIPTION	MOD.BY	CK1	CK2
B	04/12/2012	CHANGED COUPLING TO 128248	ZS	RJH	JM



COUPLING ASS'Y  
#128248

UP TO 120 HP

QTY.	PART NUMBER	DESCRIPTION
1	123008-DX4	PUMP MOUNT PLATE [3\C4BOLT]
1	801912	GREASE
1	HP-1312-S-62	HUBBARD PLUG
6	HX200	7/16-20 x 1" HHB
6	123727	THREADED BUSHING
6	H62500	NEOPRENE INSERT
1	123214-05	COUP HUB [14T12/24\4.125]
1	124623	BACKING PLATE
1	123243-18	FLYWHEEL PLATE [10\4.125]

SYMBOLS	DET.	PART NUMBER	DESCRIPTION	QTY.
▨ FLATNESS — STRAIGHTNESS ∠ ANGULARITY ⊥ PERPENDICULARITY ∥ PARALLELISM ⊙ CONCENTRICITY ⊕ TRUE POSITION ○ ROUNDNESS ⊖ CIRCULAR RUN OUT ⊖ TOTAL RUN OUT ⊖ CYLINDRICITY √ FINISH	DO NOT SCALE DRAWING TOLERANCES UNLESS OTHERWISE SPECIFIED 125 MAXIMUM ANGLE ±1/2° FRACTION ±1/32 DECIMAL .00 ±.01 .000 ±.005 .0000 ±.0005			
- UNLESS OTHERWISE SPECIFIED - REMOVE FIRST THREAD ON ALL TAPPED HOLES BREAK ALL SHARP CORNERS .010 TO .020 STAMP OR MARK DRAWING NO.			<b>TITLE</b> FLYWHEEL COUPLING ASSY WITH PUMP MOUNT PLATE	
DRAWN BY SIETING		DATE 05-03-05	DRAWING NO. 127883	
CHECKED BY RJH		SCALE	SHEET OF REV.	

THIS DRAWING IS THE PROPERTY OF HAYES MFG. INC. AND IS LOANED SUBJECT TO THE CONDITION THAT IT SHALL NOT BE REPRODUCED, COPIED, LOANED OR OTHERWISE DISPOSED OF, DIRECTLY OR INDIRECTLY. IT SHALL BE USED AS A MEANS OF REFERENCE TO WORK FURNISHED BY THIS COMPANY ONLY AND IS NOT TO BE SUBMITTED TO OUTSIDE PARTIES FOR EXAMINATION WITHOUT OUR CONSENT.