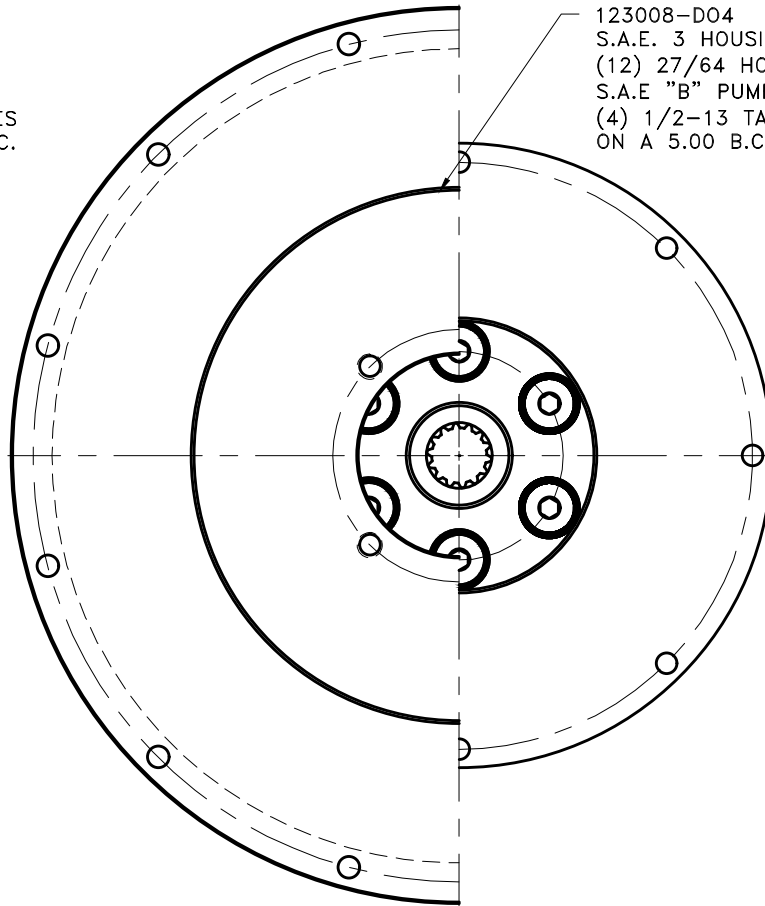
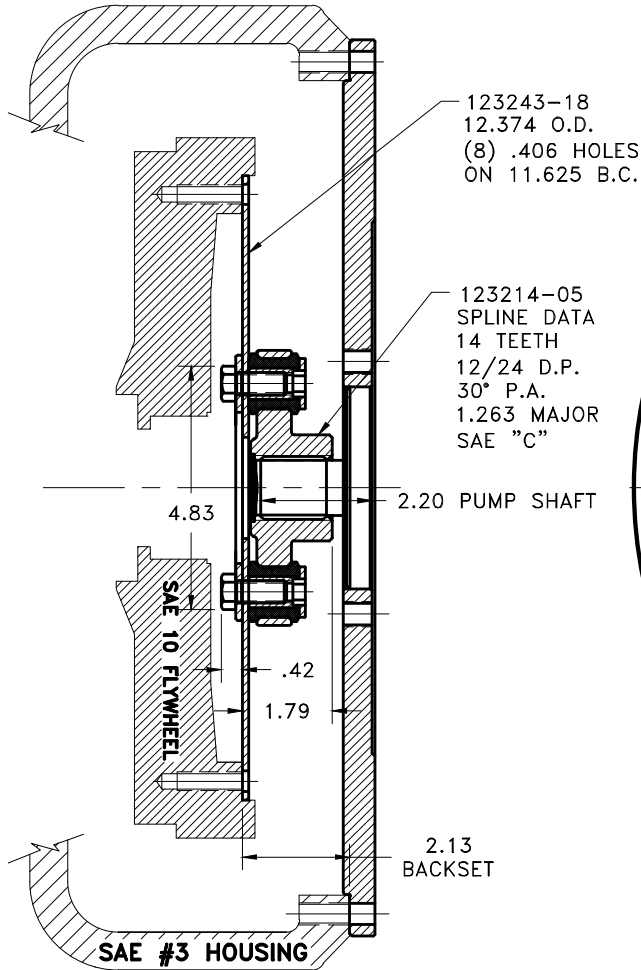


REV	DATE	CHANGE DESCRIPTION	MOD.BY	CK1	CK2
A	04/12/2012	CHANGED COUPLING TO 128248	ZS	RJH	JM



**COUPLING ASS'Y
#128248**

UP TO 120 HP

QTY.	PART NUMBER	DESCRIPTION
1	123008-D04	PUMP MOUNT PLATE
1	801912	GREASE
1	HP-1312-S-62	HUBBARD PLUG
6	BOLT	7/16-20x1 HHB Y D
6	123727	THREADED BUSHING
6	H62500	NEOPRENE INSERT
1	123214-05	COUP HUB
1	124623	BACKING PLATE
1	123243-18	FLYWHEEL PLATE

SYMBOLS		DET.	PART NUMBER	DESCRIPTION	QTY.
	FLATNESS	DO NOT SCALE			
	STRAIGHTNESS	DRAWING			
	ANGULARITY	TOLERANCES UNLESS OTHERWISE SPECIFIED			
	PERPENDICULARITY	1/32" MAXIMUM			
	PARALLELISM	ANGLE ±1/2°			
	TRUE POSITION	FRACTION ±1/32			
	ROUNDNESS	DECIMAL			
	CIRCULAR RUN OUT	.00 ±.01			
	TOTAL RUN OUT	.000 ±.005			
	CYLINDRICITY	.0000 ±.0005			
	FINISH				

HAYES
MANUFACTURING INC. ®

TITLE
FLYWHEEL COUPLING ASS'Y WITH PUMP MOUNT PLATE

MATERIAL

CLASS	MAKE: <input type="checkbox"/> BUY: <input type="checkbox"/>	DRAWN BY LAWSON	DATE 4-3-06	DRAWING NO. 128217
DESCRIPTION	CHECKED BY RJH	SCALE	SHEET OF REV.	

THIS DRAWING IS THE PROPERTY OF HAYES MFG. INC. AND IS LOANED SUBJECT TO THE CONDITION THAT IT SHALL NOT BE REPRODUCED, COPIED, LOANED OR OTHERWISE DISPOSED OF, DIRECTLY OR INDIRECTLY. IT SHALL BE USED AS A MEANS OF REFERENCE TO WORK FURNISHED BY THIS COMPANY ONLY AND IS NOT TO BE SUBMITTED TO OUTSIDE PARTIES FOR EXAMINATION WITHOUT OUR CONSENT.