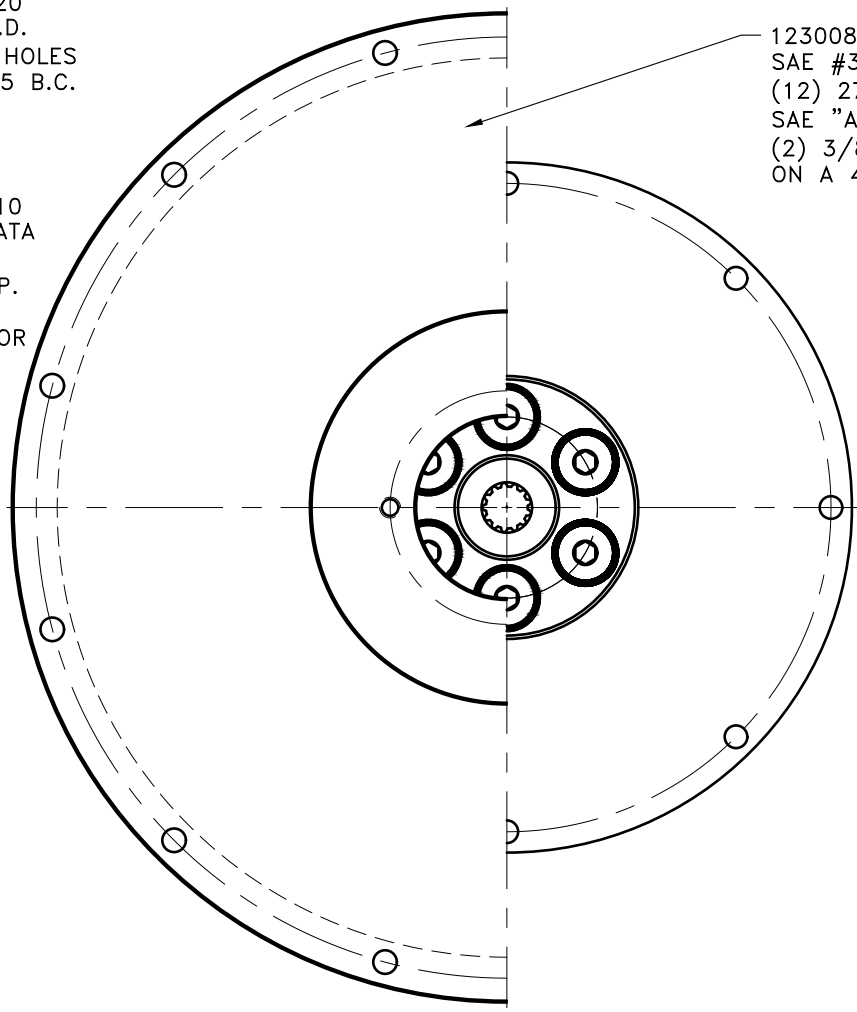
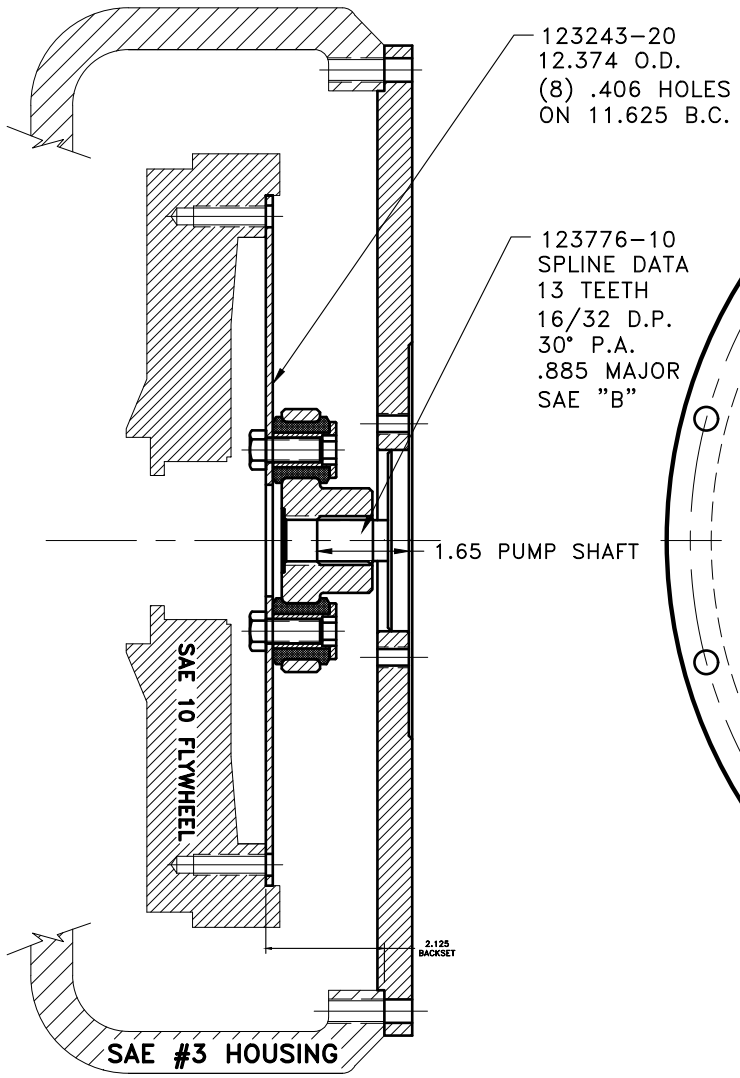


REV	DATE	CHANGE DESCRIPTION	MOD.BY	CK1	CK2



UP TO 65 H.P.

COUPLING ASS'Y #123096

QTY.	DESCRIPTION	PART NUMBER
1	FLYWHEEL PLATE [10/3.250]	123243-20
1	COUP HUB [13 16/32\3.250]	123776-10
6	NEOPRENE INSERT	H62500
6	THREADED BUSHING	123727
6	7/16-20x1 HHB Y D BOLT	
1	HUBBARD PLUG	HP-1125-S-32
1	GREASE	801912
1	PUMP MOUNT PLATE	123008-DN2

SYMBOLS	DET.	PART NUMBER	DESCRIPTION	QTY.
▭ FLATNESS ▭ STRAIGHTNESS ▭ ANGULARITY ⊥ PERPENDICULARITY // PARALLELISM ⊙ CONCENTRICITY ⊕ TRUE POSITION ○ ROUNDNESS ⊕ CIRCULAR RUN OUT ⊕ TOTAL RUN OUT ⌀ CYLINDRICITY ✕ FINISH	DO NOT SCALE DRAWING TOLERANCES UNLESS OTHERWISE SPECIFIED 1/32" MAXIMUM ANGLE ±1/2° FRACTION ±1/32 DECIMAL .00 ±.01 .000 ±.005 .0000 ±.0005		HAYES MANUFACTURING INC. ® TITLE FLYWHEEL COUPLING ASS'Y WITH PUMP MOUNT PLATE MATERIAL	
CLASS	MAKE: <input type="checkbox"/> BUY: <input type="checkbox"/>	DRAWN BY	DATE	DRAWING NO.
DESCRIPTION		SIETING	12-18-2014	131679
		CHECKED BY	SCALE	SHEET OF REV.

THIS DRAWING IS THE PROPERTY OF HAYES MFG. INC. AND IS LOANED SUBJECT TO THE CONDITION THAT IT SHALL NOT BE REPRODUCED, COPIED, LOANED OR OTHERWISE DISPOSED OF, DIRECTLY OR INDIRECTLY. IT SHALL BE USED AS A MEANS OF REFERENCE TO WORK FURNISHED BY THIS COMPANY ONLY AND IS NOT TO BE SUBMITTED TO OUTSIDE PARTIES FOR EXAMINATION WITHOUT OUR CONSENT.