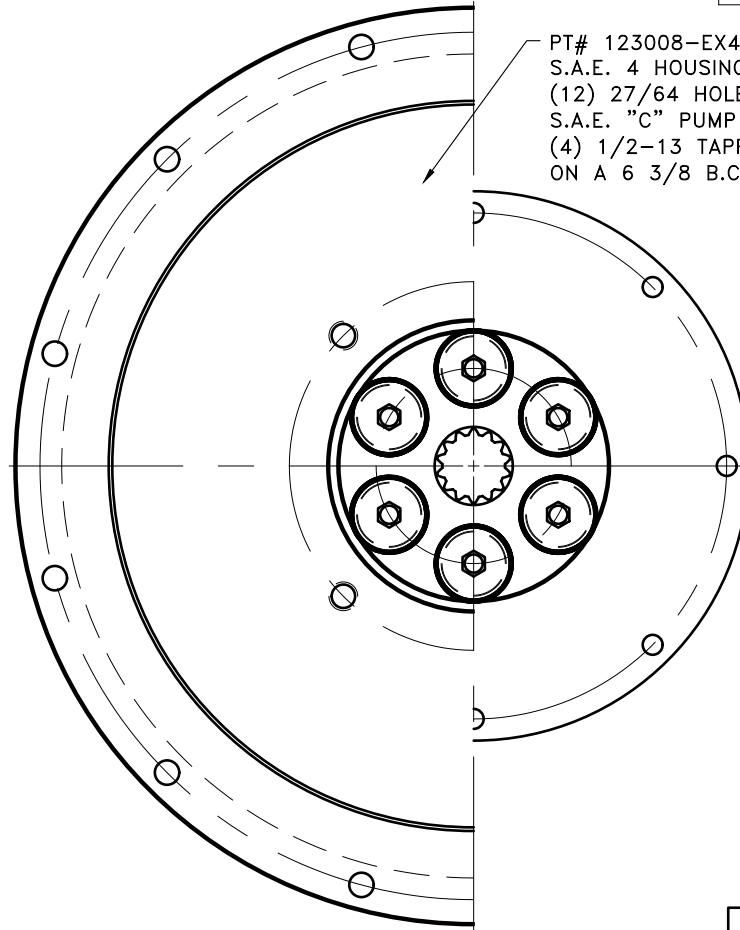
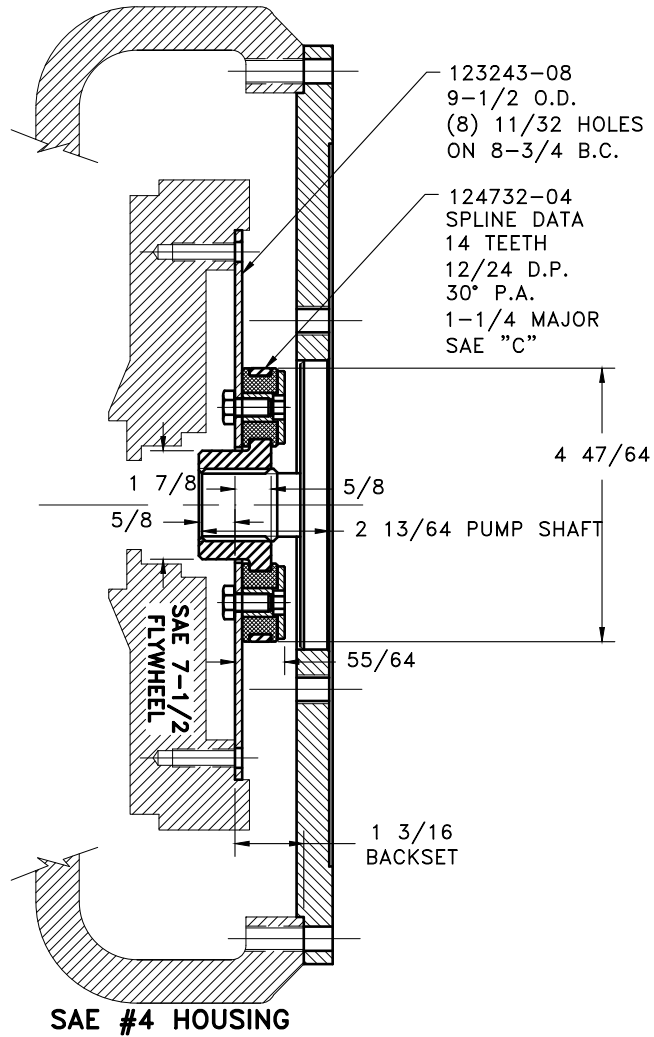


REV	DATE	CHANGE DESCRIPTION	MOD.BY	CK1	CK2
A	07/25/2017	CHANGED HUB TO 124732-04	ZS	JM	ML



COUPLING ASS'Y
#132333

UP TO 60 HP

DET.	PART NUMBER	DESCRIPTION	QTY.
7	123008-EX4	PUMP MOUNT PLATE	1
6	801912	GREASE	1
5	BOLT	5/16-24x5/8 HHB	6
4	123729-01	THREADED BUSHING	6
3	H52500	NEOPRENE INSERT	6
2	124732-04	COUPLING HUB	1
1	123243-08	FLYWHEEL PLATE	1

SYMBOLS		DET.	PART NUMBER	DESCRIPTION	QTY.
—	FLATNESS	DO NOT SCALE			
—	STRAIGHTNESS	DRAWING			
—	ANGULARITY	TOLERANCES UNLESS OTHERWISE SPECIFIED			
—	PERPENDICULARITY	1/32 MAXIMUM			
—	PARALLELISM	ANGLE ±1/2°			
—	TRUE POSITION	FRACTION ±1/32			
—	ROUNDNESS	DECIMAL			
—	CIRCULAR RUN OUT	.00 ±.01			
—	TOTAL RUN OUT	.000 ±.005			
—	CYLINDRICITY	.0000 ±.0005			
—	FINISH				
CLASS		DRAWN BY		DATE	
SAE 7.5		SIETING		08-17-2016	
DESCRIPTION		CHECKED BY		DRAWING NO.	
7-1/2,4,14T12/24,C4,60		RJH		132328	
				SHEET OF REV.	



TITLE
PUMP DRIVE HOUSING

THIS DRAWING IS THE PROPERTY OF HAYES MFG. INC. AND IS LOANED SUBJECT TO THE CONDITION THAT IT SHALL NOT BE REPRODUCED, COPIED, LOANED OR OTHERWISE DISPOSED OF, DIRECTLY OR INDIRECTLY. IT SHALL BE USED AS A MEANS OF REFERENCE TO WORK FURNISHED BY THIS COMPANY ONLY AND IS NOT TO BE SUBMITTED TO OUTSIDE PARTIES FOR EXAMINATION WITHOUT OUR CONSENT.