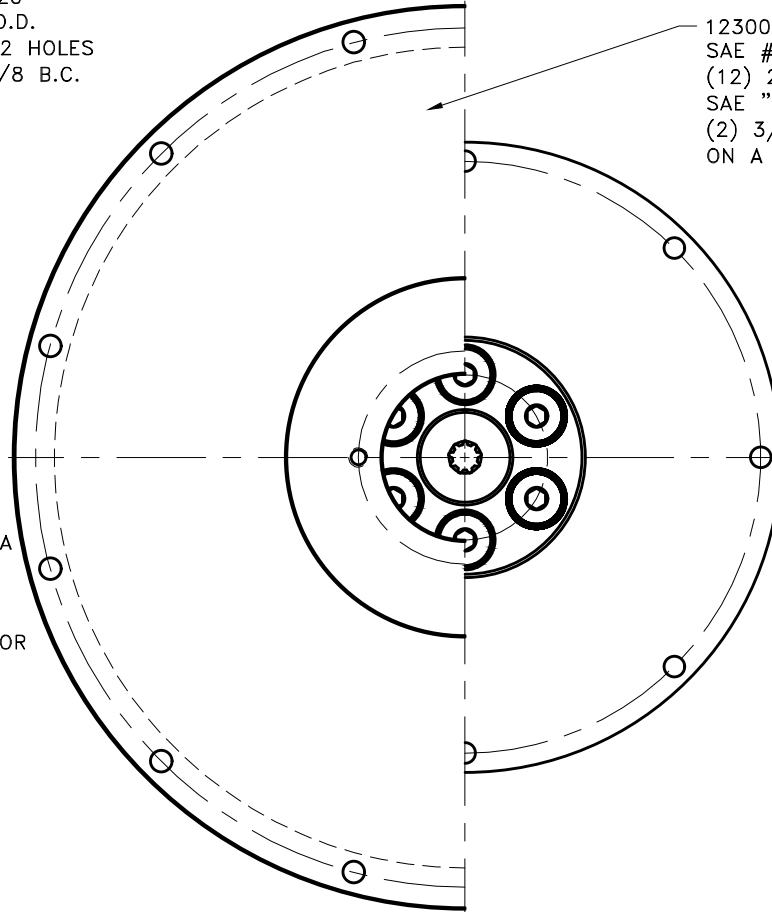
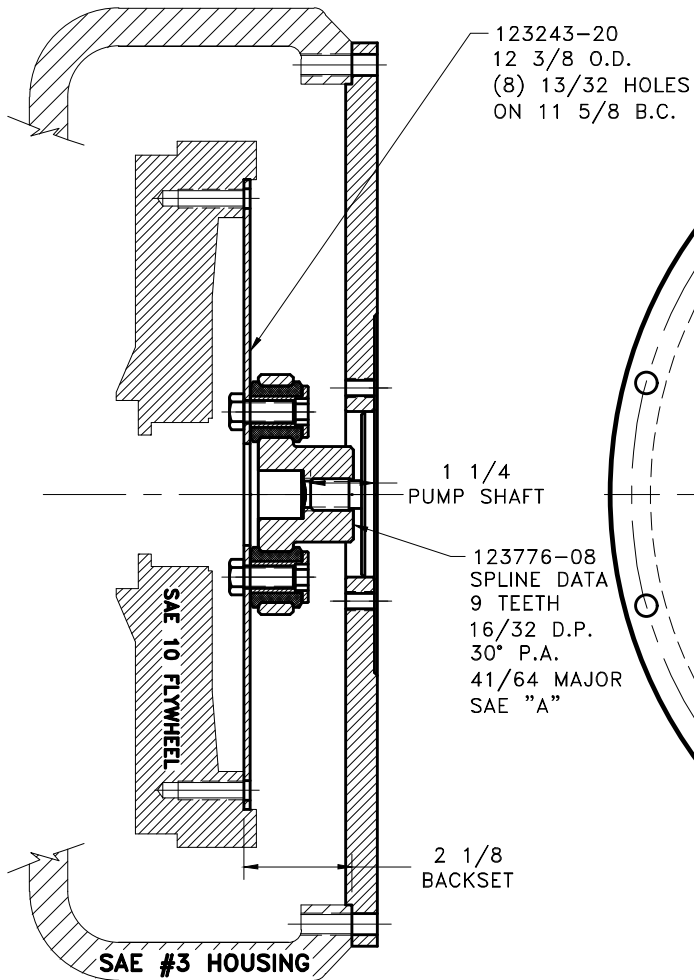


REV	DATE	CHANGE DESCRIPTION	MOD.BY	CK1	CK2



UP TO 65 H.P.

COUPLING ASS'Y #126368

DET.	PART NUMBER	DESCRIPTION	QTY.
8	123008-DN2	PUMP MOUNT PLATE	1
7	801912	GREASE	1
6	HP-937-S-32	HUBBARD PLUG	1
5	BOLT	7/16-20x1 HHB Y D	6
4	123727	THREADED BUSHING	6
3	H62500	NEOPRENE INSERT	6
2	123776-08	COUPLING HUB	1
1	123243-20	FLYWHEEL PLATE [10/3.250]	1

SYMBOLS		DET.	PART NUMBER	DESCRIPTION	QTY.
	FLATNESS	DO NOT SCALE			
	STRAIGHTNESS	DRAWING			
	ANGULARITY	TOLERANCES UNLESS OTHERWISE SPECIFIED			
	PERPENDICULARITY				
	PARALLELISM				
	CONCENTRICITY	1/32 MAXIMUM			
	TRUE POSITION	ANGLE ±1/2°			
	ROUNDNESS	FRACTION ±1/32			
	CIRCULAR RUN OUT	DECIMAL			
	TOTAL RUN OUT	.00 ±.01			
	CYLINDRICITY	.000 ±.005			
	FINISH	.0000 ±.0005			
CLASS		SAE 10		MAKE: <input checked="" type="checkbox"/> BUY: <input type="checkbox"/>	DRAWN BY
DESCRIPTION		10,3,9T16/32,A2,65HP			DATE
				CHECKED BY	SCALE
				DRAWING NO.	
				132574	
				SHEET OF REV.	



TITLE
FLYWHEEL COUPLING ASS'Y W/PMP

THIS DRAWING IS THE PROPERTY OF HAYES MFG. INC. AND IS LOANED SUBJECT TO THE CONDITION THAT IT SHALL NOT BE REPRODUCED, COPIED, LOANED OR OTHERWISE DISPOSED OF, DIRECTLY OR INDIRECTLY. IT SHALL BE USED AS A MEANS OF REFERENCE TO WORK FURNISHED BY THIS COMPANY ONLY AND IS NOT TO BE SUBMITTED TO OUTSIDE PARTIES FOR EXAMINATION WITHOUT OUR CONSENT.