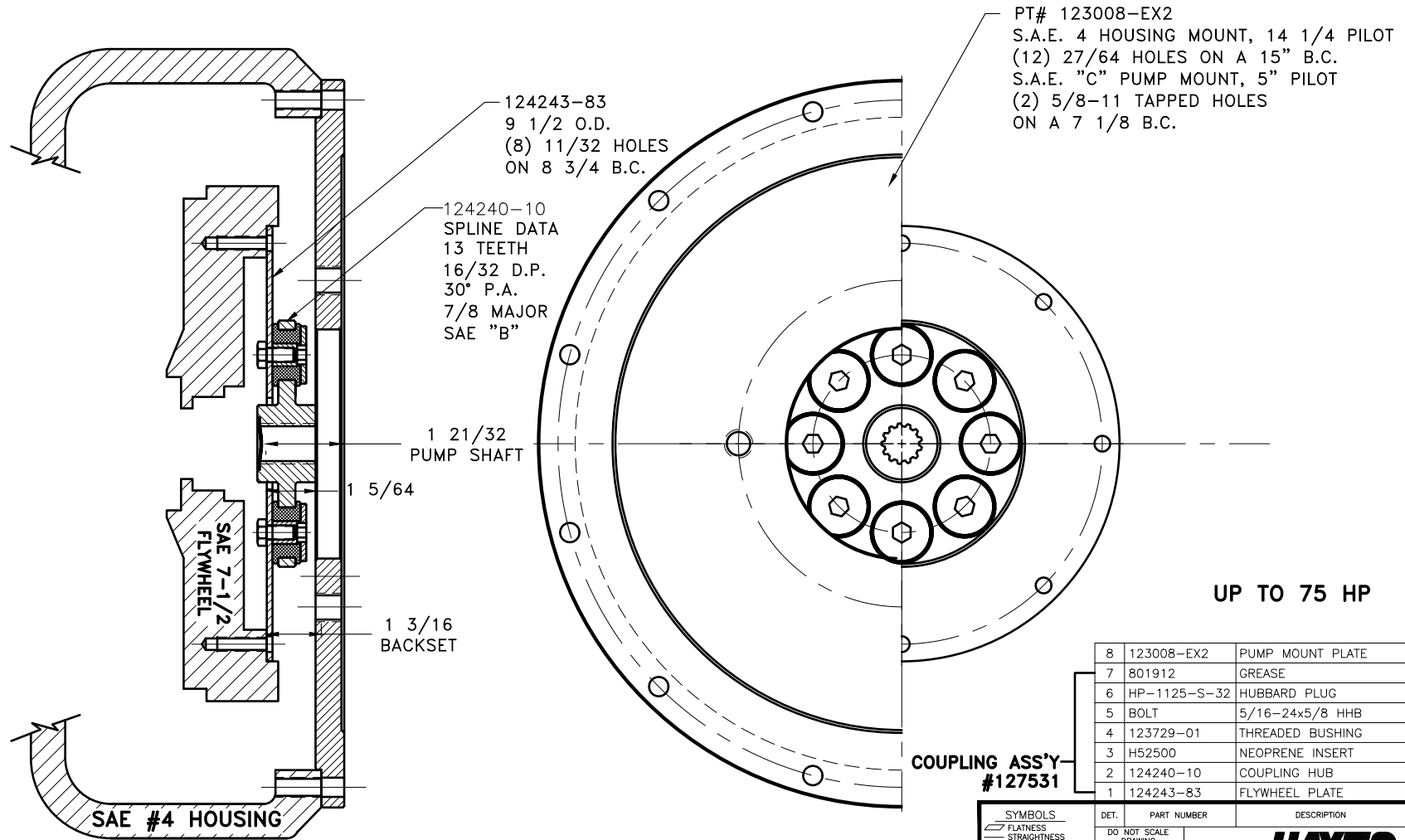


REV	DATE	CHANGE DESCRIPTION	MOD.BY	CK1	CK2



UP TO 75 HP

COUPLING ASS'Y
#127531

QTY.	DESCRIPTION	PART NUMBER	DET.
1	FLYWHEEL PLATE	124243-83	1
1	COUPLING HUB	124240-10	2
8	NEOPRENE INSERT	H52500	3
8	THREADED BUSHING	123729-01	4
8	HUBBARD PLUG	HP-1125-S-32	6
1	GREASE	801912	7
1	PUMP MOUNT PLATE	123008-EX2	8

SYMBOLS		DET.	PART NUMBER	DESCRIPTION	QTY.
	FLATNESS	DO NOT SCALE			
	STRAIGHTNESS	DRAWING			
	ANGULARITY	TOLERANCES UNLESS OTHERWISE SPECIFIED			
	PERPENDICULARITY				
	PARALLELISM				
	CONCENTRICITY				
	TRUE POSITION				
	ROUNDNESS	ANGLE ±1/2°			
	CIRCULAR RUN OUT	FRACTION ±1/32			
	TOTAL RUN OUT	DECIMAL			
	CYLINDRICITY	.00 ±.01			
	FINISH	.0000 ±.0005			
	FINISH	.0000 ±.0005			



TITLE
FLYWHEEL COUPLING ASS'Y WITH PUMP MNT. PLATE

CLASS SAE 7-1/2	MAKE: <input checked="" type="checkbox"/> BUY: <input type="checkbox"/>	DRAWN BY BSL	DATE 03-02-2017	DRAWING NO. 132578
DESCRIPTION 7-1/2, 4, 1.3116/32, C2, 75	CHECKED BY	SCALE	SHEET	OF REV.

THIS DRAWING IS THE PROPERTY OF HAYES MFG. INC. AND IS LOANED SUBJECT TO THE CONDITION THAT IT SHALL NOT BE REPRODUCED, COPIED, LOANED OR OTHERWISE DISPOSED OF, DIRECTLY OR INDIRECTLY. IT SHALL BE USED AS A MEANS OF REFERENCE TO WORK FURNISHED BY THIS COMPANY ONLY AND IS NOT TO BE SUBMITTED TO OUTSIDE PARTIES FOR EXAMINATION WITHOUT OUR CONSENT.