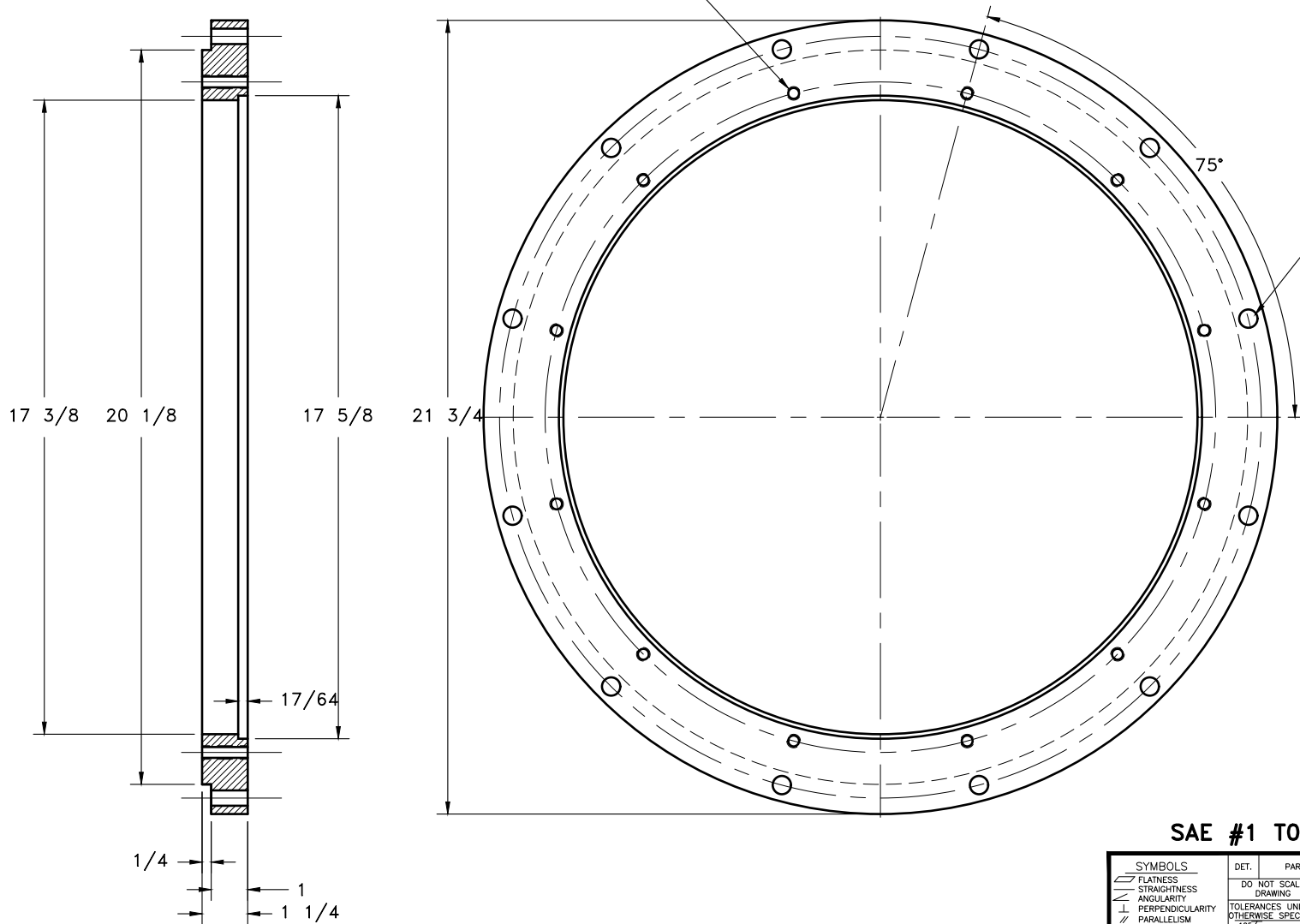


REV	DATE	CHANGE DESCRIPTION	MOD.BY	CK1	CK2

(12) 3/8-16 TAPPED HOLES
ON A 18 3/8 B.C.

(12) 1/2 HOLES
ON A 20.88 B.C.



SAE #1 TO #2 WITH 1" SETBACK

SYMBOLS	DET.	PART NUMBER	DESCRIPTION	QTY.
<ul style="list-style-type: none"> — FLATNESS — STRAIGHTNESS — ANGULARITY — PERPENDICULARITY — PARALLELISM — CONCENTRICITY — TRUE POSITION — ROUNDNESS — CIRCULAR RUN OUT — TOTAL RUN OUT — CYLINDRICITY — FINISH 	DO NOT SCALE DRAWING TOLERANCES UNLESS OTHERWISE SPECIFIED 1/32" MAXIMUM ANGLE ±1/2" FRACTION ±1/32 DECIMAL .00 ±.01 .0000 ±.0005		HAYES MANUFACTURING INC. ® TITLE HOUSING ADAPTER MATERIAL ALUMINUM	
CLASS	MAKE: <input type="checkbox"/> BUY: <input type="checkbox"/>	DRAWN BY	DATE	DRAWING NO.
DESCRIPTION		SIETING	04-10-07	26-00309
		CHECKED BY	SCALE	SHEET OF REV.
		RJH		26-00309

THIS DRAWING IS THE PROPERTY OF HAYES MFG. INC. AND IS LOANED SUBJECT TO THE CONDITION THAT IT SHALL NOT BE REPRODUCED, COPIED, LOANED OR OTHERWISE DISPOSED OF, DIRECTLY OR INDIRECTLY. IT SHALL BE USED AS A MEANS OF REFERENCE TO WORK FURNISHED BY THIS COMPANY ONLY AND IS NOT TO BE SUBMITTED TO OUTSIDE PARTIES FOR EXAMINATION WITHOUT OUR CONSENT.