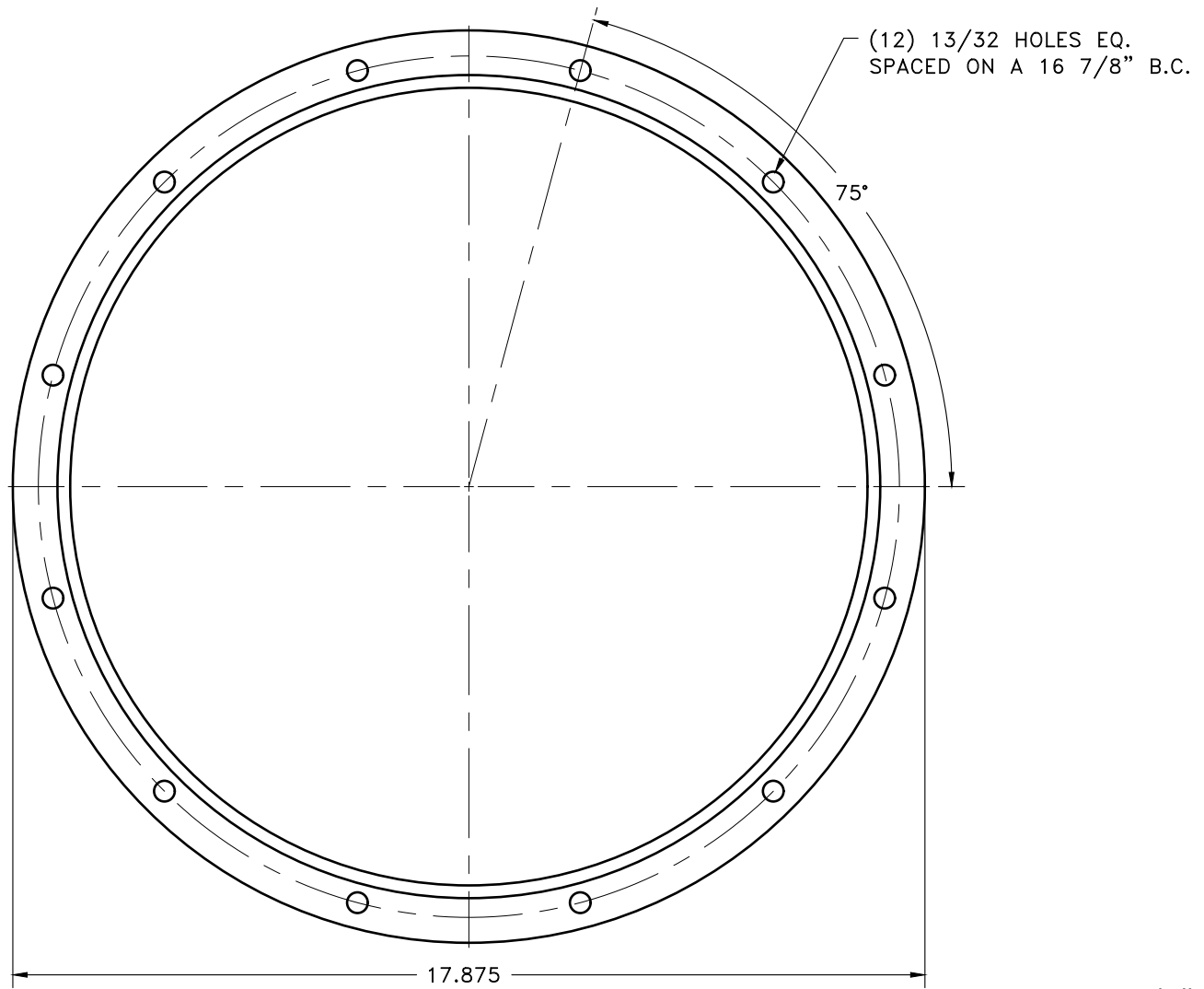
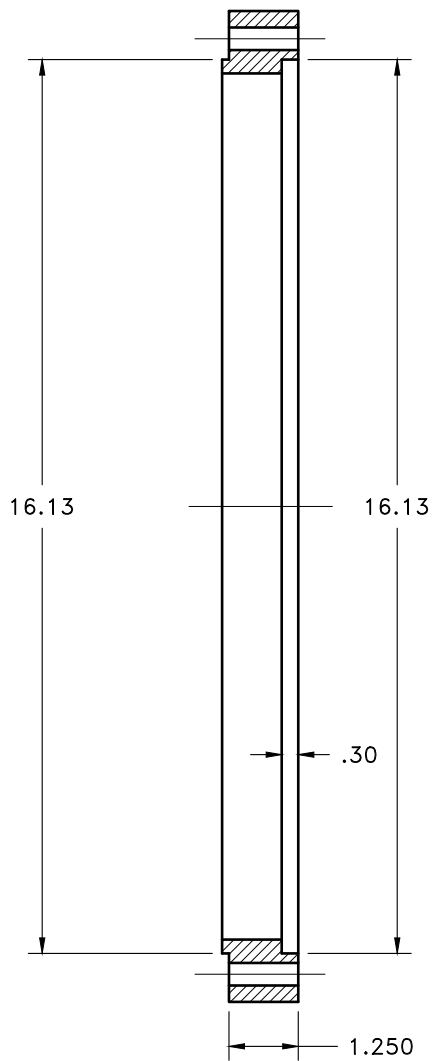


REV	DATE	CHANGE DESCRIPTION	MOD.BY	CK1	CK2



SAE #3 TO #3 x 1-1/4" OFFSET

THIS DRAWING IS THE PROPERTY OF HAYES MFG. INC. AND IS LOANED SUBJECT TO THE CONDITION THAT IT SHALL NOT BE REPRODUCED, COPIED, LOANED OR OTHERWISE DISPOSED OF, DIRECTLY OR INDIRECTLY. IT SHALL BE USED AS A MEANS OF REFERENCE TO WORK FURNISHED BY THIS COMPANY ONLY AND IS NOT TO BE SUBMITTED TO OUTSIDE PARTIES FOR EXAMINATION WITHOUT OUR CONSENT.

SYMBOLS		DET.	PART NUMBER	DESCRIPTION	QTY.
≡ FLATNESS	DO NOT SCALE	<p>TITLE <b>S.A.E. HOUSING SPACER</b></p> <p>MATERIAL <b>ALUMINUM</b></p>			
≡ STRAIGHTNESS	DRAWING				
≡ ANGULARITY	TOLERANCES UNLESS OTHERWISE SPECIFIED				
⊥ PERPENDICULARITY	1/32" MAXIMUM				
∥ PARALLELISM	ANGLE ±1/2'				
⊙ CONCENTRICITY	FRACTION ±1/32				
⊕ TRUE POSITION	DECIMAL				
○ ROUNDNESS	.00 ±.01				
⊘ CIRCULAR RUN OUT	.000 ±.005				
⊘ TOTAL RUN OUT	.0000 ±.0005				
⊘ FINISH					
CLASS	MAKE: <input type="checkbox"/> BUY: <input type="checkbox"/>	DRAWN BY	DATE	DRAWING NO.	
DESCRIPTION		SIETING	04-10-07	26-00514	
		CHECKED BY	SCALE	SHEET	OF REV.
		RJH			