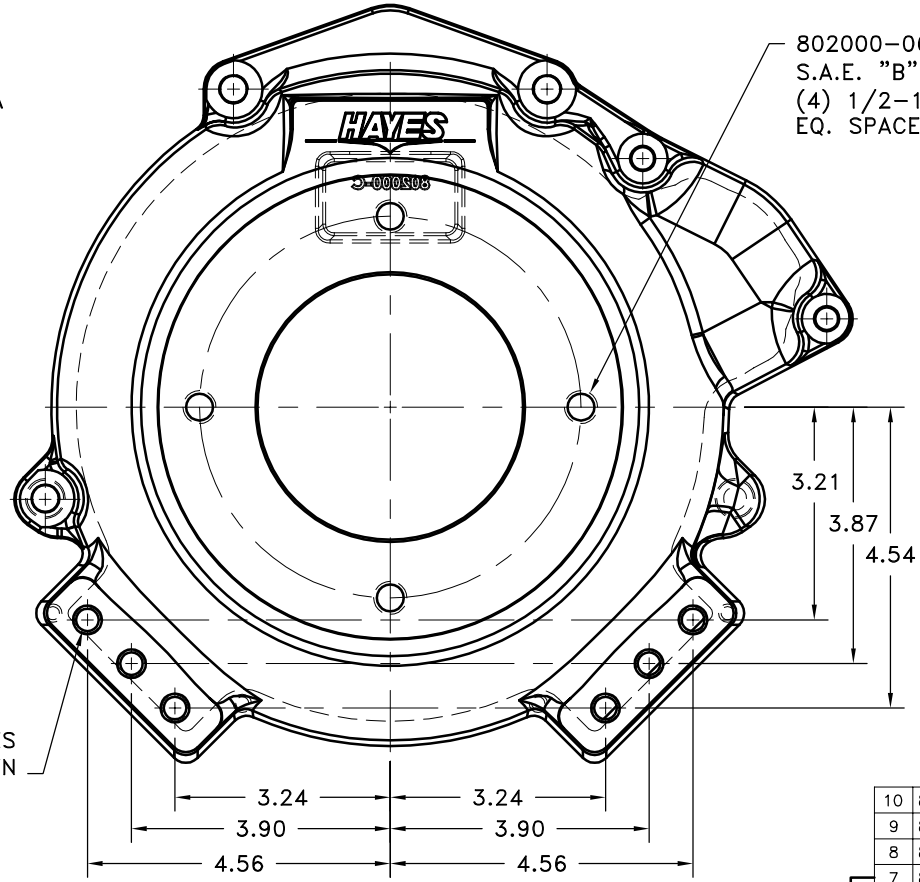
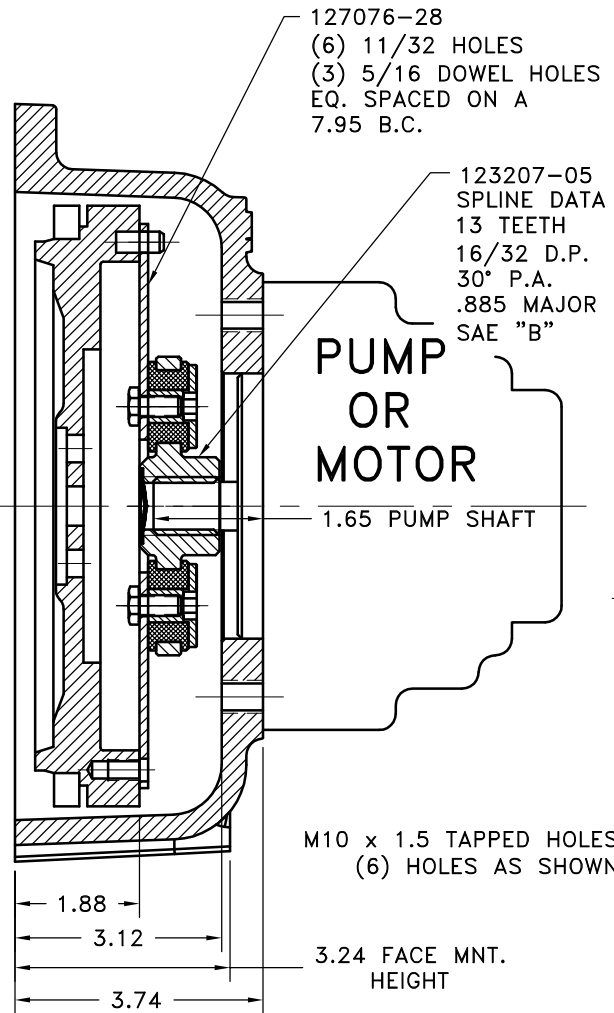


REV	DATE	CHANGE DESCRIPTION	MOD.BY	CK1	CK2



COUPLING ASS'Y #127955

UP TO 75 HP

QTY.	PART NUMBER	DESCRIPTION
1	802003	BOLT KIT
1	802002	COVER PLATE
1	802000-06	HOUSING
1	801912	GREASE
1	HP-1125-S-32	GREASE PLUG
6	HX100	5/16-24 x 5/8" HHB
6	H52500	NEOPRENE INSERT
6	123729-01	THREADED BUSHING
1	123207-05	COUP HUB [13T16/32\3.000]
1	127076-28	FLYWHEEL PLATE

SYMBOLS	DET.	PART NUMBER	DESCRIPTION	QTY.
▨ FLATNESS — STRAIGHTNESS ∠ ANGULARITY ⊥ SQUARENESS ∥ PARALLELISM ⊙ CONCENTRICITY ⊕ TRUE POSITION ○ ROUNDNESS Ⓞ CIRCULAR RUN OUT Ⓣ TOTAL RUN OUT Ⓢ CYLINDRICITY √ FINISH	DO NOT SCALE DRAWING TOLERANCES UNLESS OTHERWISE SPECIFIED 125 MAXIMUM ANGLE ±1/2° FRACTION ±1/32 DECIMAL .00 ±.01 .000 ±.005 .0000 ±.0005			
- UNLESS OTHERWISE SPECIFIED - REMOVE FIRST THREAD ON ALL TAPPED HOLES BREAK ALL SHARP CORNERS .010 TO .020 STAMP OR MARK DRAWING NO.			TITLE HYUNDAI 1.0L COUPLING ASSEMBLY W/HOUSING	MATERIAL DRAWN BY SIETING CHECKED BY RJH
		DATE 07-27-06 SCALE	DRAWING NO. 802008 SHEET OF REV.	

THIS DRAWING IS THE PROPERTY OF HAYES MFG. INC. AND IS LOANED SUBJECT TO THE CONDITION THAT IT SHALL NOT BE REPRODUCED, COPIED, LOANED OR OTHERWISE DISPOSED OF, DIRECTLY OR INDIRECTLY. IT SHALL BE USED AS A MEANS OF REFERENCE TO WORK FURNISHED BY THIS COMPANY ONLY AND IS NOT TO BE SUBMITTED TO OUTSIDE PARTIES FOR EXAMINATION WITHOUT OUR CONSENT.