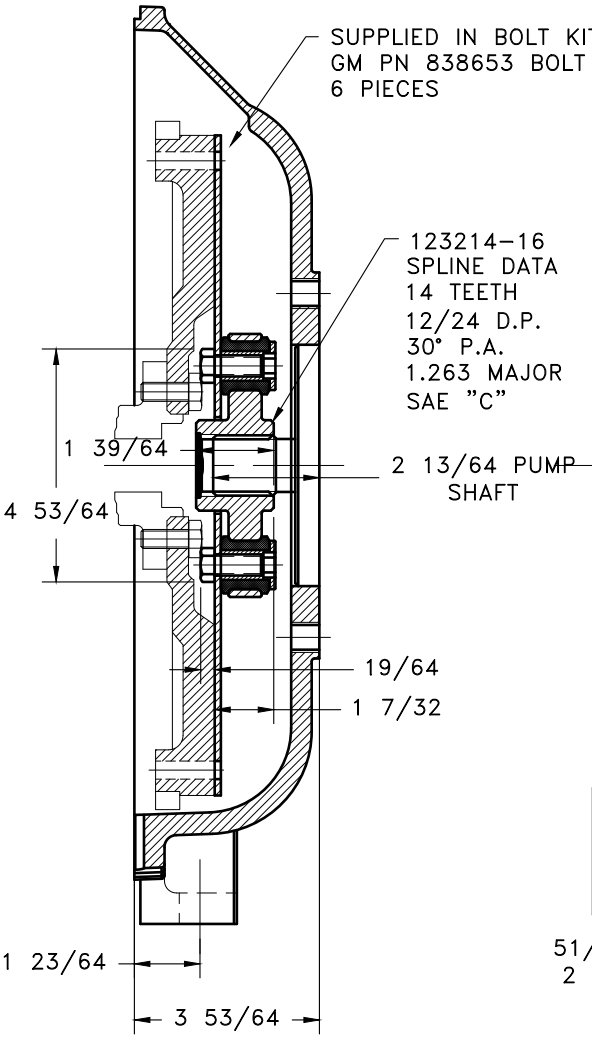
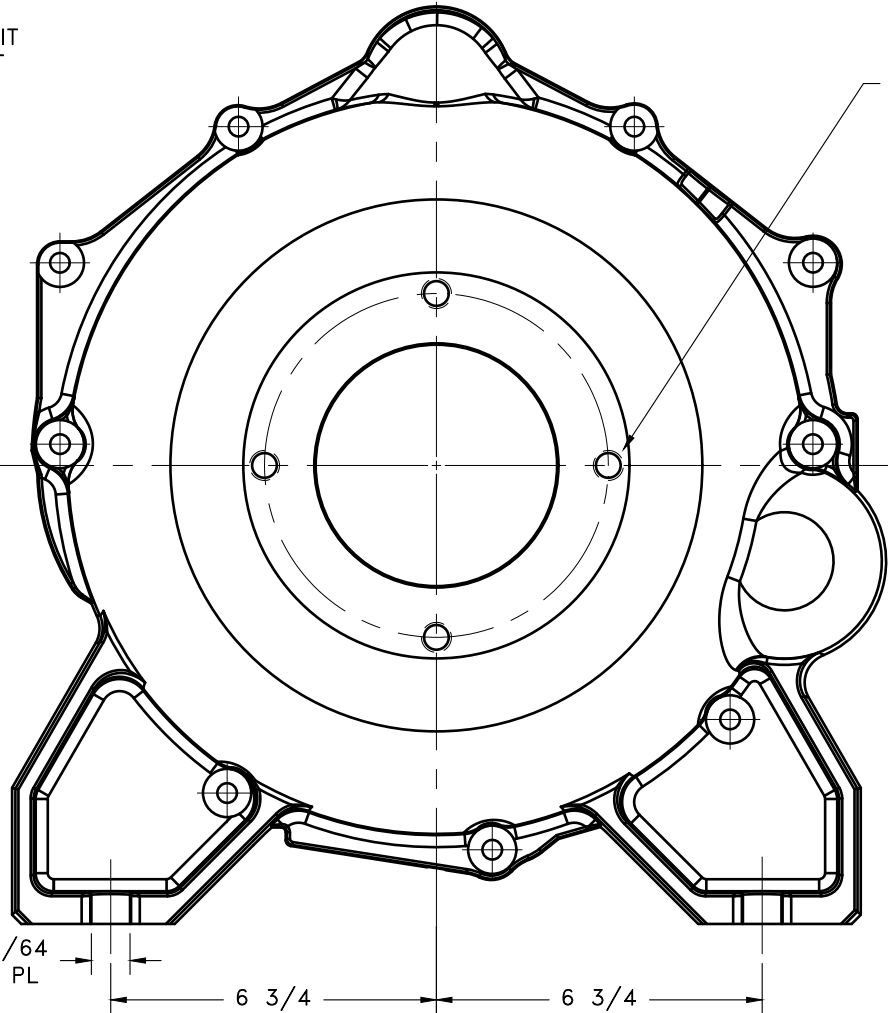


REV	DATE	CHANGE DESCRIPTION	MOD.BY	CK1	CK2



SUPPLIED IN BOLT KIT  
GM PN 838653 BOLT  
6 PIECES

123214-16  
SPLINE DATA  
14 TEETH  
12/24 D.P.  
30° P.A.  
1.263 MAJOR  
SAE "C"



890000-14  
SAE "C" 2-BOLT MOUNT  
HORIZONTAL & VERTICAL  
5" PUMP PILOT  
(4) 5/8-11 TAPPED HOLES  
EQ. SPACED ON 7 1/8 B.C.

COUPLING ASS'Y  
126434

**SPECIAL BOLT KIT**

**UP TO 110 HP**

QTY.	DESCRIPTION	PART NUMBER
1	DUST COVER	890007
1	BOLT KIT (PRE-ASSEMBLED)	890018
1	HOUSING	890000-14
1	GREASE	801912
1	HUBBARD PLUG	HP-1312-S-62
6	7/16-20x1 HHB Y D	BOLT
6	THREADED BUSHING	123727
6	NEOPRENE INSERT	H62500
1	COUPLING HUB	123214-16
1	FLYWHEEL PLATE	126151-02

**NOTE:**

- USE FURNISHED COUPLING GREASE ON BOTH MALE & FEMALE SPLINES.
- CAUTION: WHEN INSTALLING PUMP ON ENGINE HOUSING BE CAREFUL BOLTS DO NOT EXTEND PAST INSIDE FACE OF HOUSING AND RUB ON COUPLING ASS'Y.

SYMBOLS	DET.	PART NUMBER	DESCRIPTION	QTY.
FLATNESS STRAIGHTNESS ANGULARITY PERPENDICULARITY PARALLELISM CONCENTRICITY TRUE POSITION ROUNDNESS CIRCULAR RUN OUT TOTAL RUN OUT CYLINDRICITY FINISH	DO NOT SCALE DRAWING TOLERANCES UNLESS OTHERWISE SPECIFIED MAXIMUM ANGLE ±1/2° FRACTION ±1/32 DECIMAL .00 ±.01 .000 ±.005 .0000 ±.0005			
CLASS	MAKE: <input type="checkbox"/> BUY: <input type="checkbox"/>	DRAWN BY SIETING	DATE 06-06-07	DRAWING NO. 890030
DESCRIPTION	CHECKED BY RJH	SCALE	SHEET	OF REV.

**GM 3.0 LITRE**

THIS DRAWING IS THE PROPERTY OF HAYES MFG. INC. AND IS LOANED SUBJECT TO THE CONDITION THAT IT SHALL NOT BE REPRODUCED, COPIED, LOANED OR OTHERWISE DISPOSED OF, DIRECTLY OR INDIRECTLY. IT SHALL BE USED AS A MEANS OF REFERENCE TO WORK FURNISHED BY THIS COMPANY ONLY AND IS NOT TO BE SUBMITTED TO OUTSIDE PARTIES FOR EXAMINATION WITHOUT OUR CONSENT.