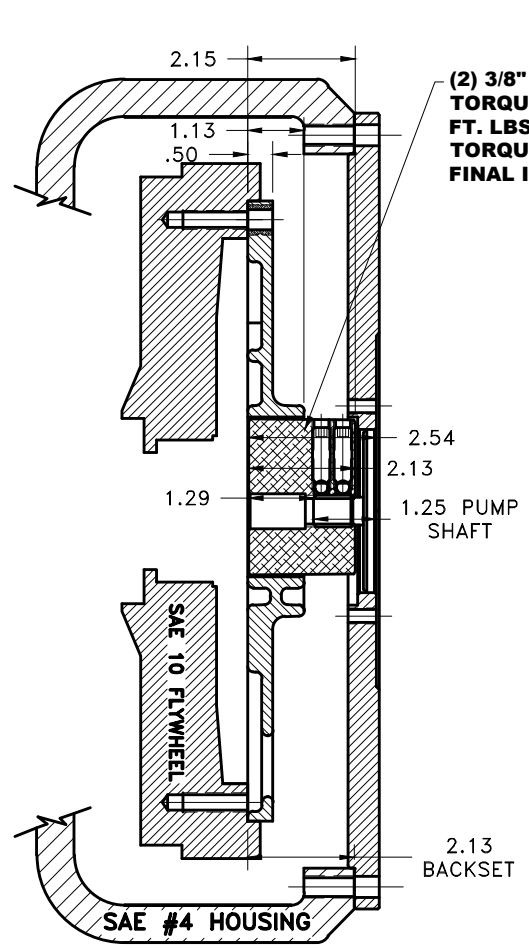


REV	DATE	CHANGE DESCRIPTION	MOD.BY	CK1	CK2



**(2) 3/8" SET SCREWS
TORQUE BOTH TO 25
FT. LBS USING
TORQUE WRENCH AT
FINAL INSTALLATION**

129032
SAE #4 HOUSING MOUNT
(12) 27/64 HOLES THRU
EQ. SPACED ON 15.00 B.C.
SAE "A" PUMP MOUNT
3.25 PUMP PILOT
(2) 3/8-16 TAPPED HOLES
EQ. SPACED ON 4.18 B.C.

C-010
S.A.E. 10 FIBERGLASS REINFORCED
NYLON DRIVE PLATE
(8) .416 HOLES EQ.
SPACED ON A 11.625 B.C.
"C" SERIES DRIVE

HC4-88
SPLINE DATA
9 TEETH
16/32 D.P.
30° P.A.
.640 MAJOR
SAE "A"

IMPORTANT INSTALLATION NOTE!!!!
**IMPROPER INSTALLATION OF HUB COULD CAUSE
PREMATURE WEAR AND OR FAILURE.**

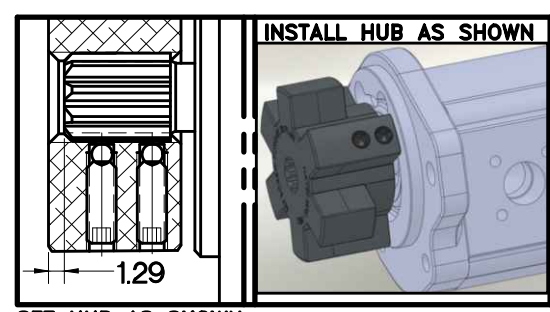
**IF YOU HAVE QUESTIONS CONCERNING LOCATION
OF METAL HUB ON PUMP SHAFT PLEASE CONTACT
DISTRIBUTOR OR FACTORY FOR FURTHER
INFORMATION**

**BOTH HUB SET SCREWS MUST BE PROPERLY
TORQUED TO 25 FT.LBS. USING TORQUE WRENCH.
PLEASE CONTACT DISTRIBUTOR OR FACTORY FOR
ANY FURTHER QUESTIONS.**

**NOTE: THIS STEP IS IMPORTANT TO
ENSURE FULL SPLINE ENGAGEMENT.**

- 1) PRESET HUB ON SHAFT AS SHOWN.
- 2) IF YOUR PUMP SHAFT VARIES FROM THE DRAWN SHAFT LENGTH, CONTACT FACTORY FOR RECOMMENDATIONS.
- 3) **TORQUE BOTH SET SCREWS TO 25 FT.LBS. USING TORQUE WRENCH.**
- 4) **SHAFT SHOULD HAVE FULL SPLINE ENGAGEMENT INTO HUB, IF NOT CONTACT FACTORY FOR RECOMMENDATIONS (231) 879-3372.**

THIS DRAWING IS THE PROPERTY OF HAYES MFG. INC. AND IS LOANED SUBJECT TO THE CONDITION THAT IT SHALL NOT BE REPRODUCED, COPIED, LOANED OR OTHERWISE DISPOSED OF, DIRECTLY OR INDIRECTLY. IT SHALL BE USED AS A MEANS OF REFERENCE TO WORK FURNISHED BY THIS COMPANY ONLY AND IS NOT TO BE SUBMITTED TO OUTSIDE PARTIES FOR EXAMINATION WITHOUT OUR CONSENT.



SET HUB AS SHOWN

**"C" SERIES TORQUE RANGE
65-175 HP**

DET.	PART NUMBER	DESCRIPTION	QTY.
3	129032	PUMP MOUNT PLTE	1
2	HC4-88	C SERIES HEX~FLX HUB	1
1	C-010	SAE 10 HEX~FLX DRIVE PLATE	1

SYMBOLS		DET.	PART NUMBER	DESCRIPTION	QTY.
	FLATNESS	DO NOT SCALE			
	STRAIGHTNESS	DRAWING			
	ANGULARITY	TOLERANCES UNLESS OTHERWISE SPECIFIED			
	PERPENDICULARITY				
	PARALLELISM				
	CONCENTRICITY				
	TRUE POSITION				
	ROUNDNESS	ANGLE ±1/2°			
	CIRCULAR RUN OUT	FRACTION ±1/32			
	TOTAL RUN OUT	DECIMAL			
	CYLINDRICITY	.00 ±.01			
	FINISH	.0000 ±.0005			
CLASS					
MAKE: <input type="checkbox"/> BUY: <input type="checkbox"/>					
DESCRIPTION		TITLE HEX~FLX COUPLING ASSY W/PUMP MOUNT PLATE			
DRAWN BY		DATE		DRAWING NO.	
SIETING		07-13-2011		C-010-HC4-88-ESP1	
CHECKED BY		SCALE		SHEET OF REV.	
RJH					