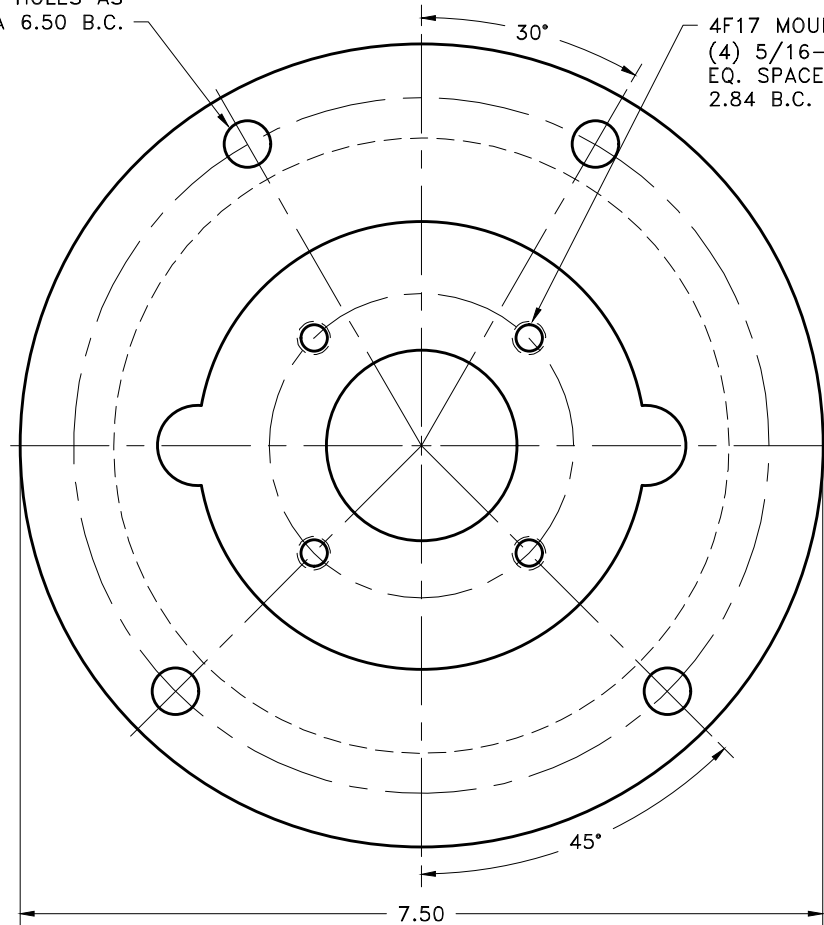
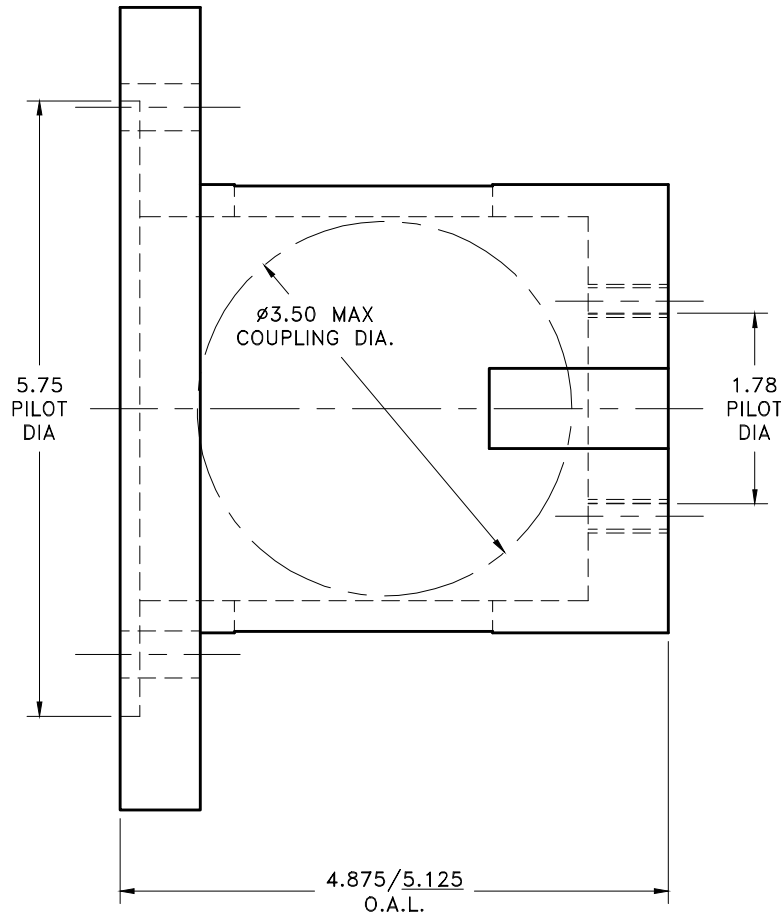


REV	DATE	CHANGE DESCRIPTION	MOD. BY	CK1	CK2

(4) 7/16 HOLES AS SHOWN ON A 6.50 B.C.

4F17 MOUNT
(4) 5/16-18 HOLES EQ. SPACED ON A 2.84 B.C.



NOTE: UNDERLINED LENGTH DIM. IS STANDARD ANY LENGTH BETWEEN DIMENSIONS CAN BE REQUESTED.

**NOTES:
ACCESS COVERS #AC100 (2 REQUIRED)
APPROX. WEIGHT: 2 LB. 2 OZ.
AVAILABLE WITH NO COVER OPENINGS**

THIS DRAWING IS THE PROPERTY OF HAYES MFG. INC. AND IS LOANED SUBJECT TO THE CONDITION THAT IT SHALL NOT BE REPRODUCED, COPIED, LOANED OR OTHERWISE DISPOSED OF, DIRECTLY OR INDIRECTLY. IT SHALL BE USED AS A MEANS OF REFERENCE TO WORK FURNISHED BY THIS COMPANY ONLY AND IS NOT TO BE SUBMITTED TO OUTSIDE PARTIES FOR EXAMINATION WITHOUT OUR CONSENT.

SYMBOLS		DET.	PART NUMBER	DESCRIPTION	QTY.		
—	FLATNESS	DO NOT SCALE		HAYES MANUFACTURING INC. ®			
—	STRAIGHTNESS	DRAWING					
—	ANGULARITY	TOLERANCES UNLESS OTHERWISE SPECIFIED		TITLE	SMALL ENGINE HOUSING		
—	PERPENDICULARITY	1/32" MAXIMUM		MATERIAL	ALUMINUM		
—	PARALLELISM	ANGLE ±1/2°		CLASS			
—	CONCENTRICITY	FRACTION ±1/32		MAKE: <input type="checkbox"/> BUY: <input type="checkbox"/>	DRAWN BY	DATE	DRAWING NO.
—	TRUE POSITION	DECIMAL			SIETING	05-01-07	G-300-400-XXXX
—	ROUNDNESS	.00 ±.01			CHECKED BY	SCALE	SHEET OF REV.
—	CIRCULAR RUN OUT	.000 ±.005			RJH		
—	TOTAL RUN OUT	.0000 ±.0005					
—	CYLINDRICITY						
—	FINISH						