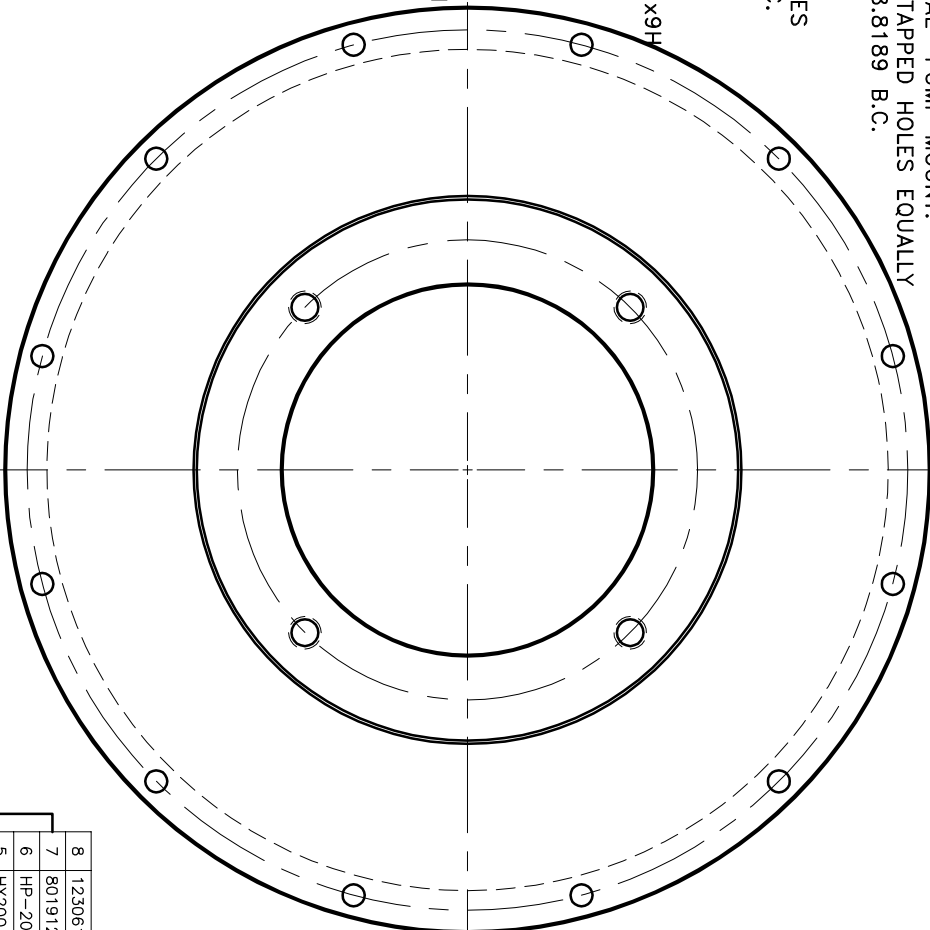
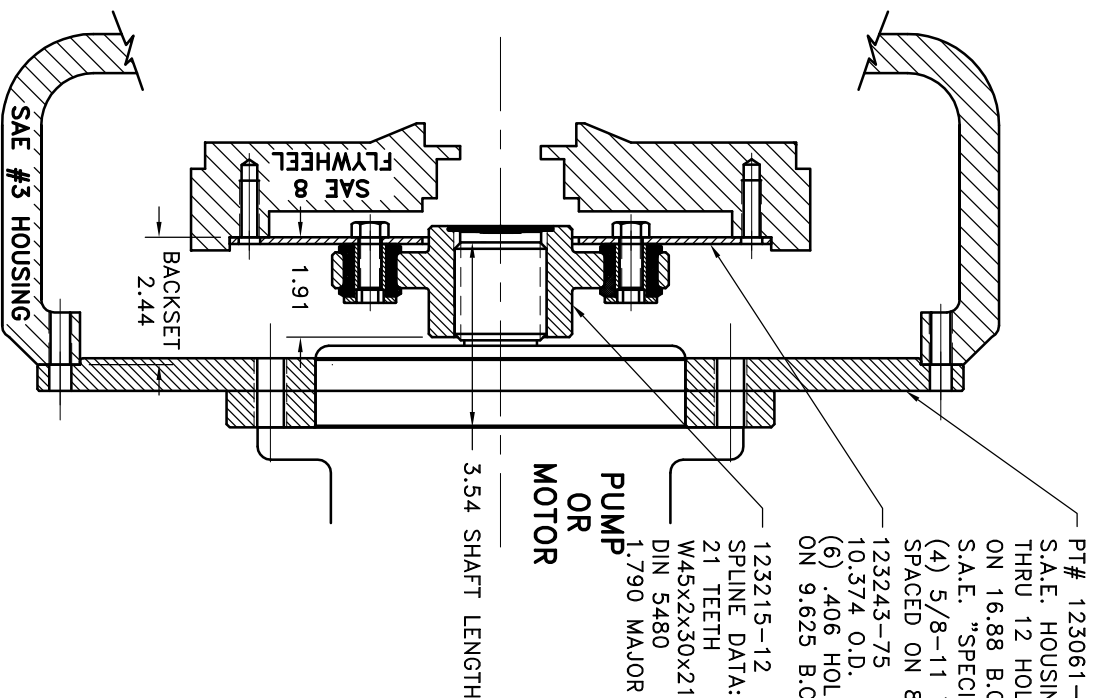


REV	DATE	CHANGE DESCRIPTION	MOD. BY	CK1	CK2
H	11/09/2004	CHANGED COUPLING ASS'Y	ZS	RJH	HM



**COUPLING ASS'Y #126986**

**UP TO 150 H.P.**

QTY.	DESCRIPTION	PART NUMBER	DET.
1	FLYWHEEL PLATE	123243-75	1
1	COUPLING HUB	123215-12	2
8	NEOPRENE INSERT	H62600	3
8	THREADED BUSHING	123727	4
1	HUBBARD PLUG	HP-2000-S-62	6
1	GREASE	801912	7
1	PUMP MFG. PLATE	123061-02	8

THIS DRAWING IS THE PROPERTY OF HAYES MFG. INC. AND IS LOANED SUBJECT TO THE CONDITION THAT IT SHALL NOT BE REPRODUCED, COPIED, OR TRANSMITTED IN ANY FORM OR BY ANY MEANS, ELECTRONIC OR MECHANICAL, INCLUDING PHOTOCOPYING, RECORDING, OR BY ANY INFORMATION STORAGE AND RETRIEVAL SYSTEM. IT SHALL BE USED AS A MEANS OF REFERENCE TO WORK FURNISHED BY THIS COMPANY ONLY, AND IS NOT TO BE SUBMITTED TO OUTSIDE PARTIES FOR EXAMINATION WITHOUT OUR CONSENT.

SYMBOLS		TITLE	
	FLATNESS UNLESS SPECIFIED	<p style="text-align: center;"><b>HAYES</b> MANUFACTURING INC. ®</p> <p style="text-align: center;"><b>FLYWHEEL COUPLING ASS'Y &amp; PUMP MOUNT PLATE</b></p>	
	ANGULARITY UNLESS SPECIFIED		
	PARALLELISM UNLESS OTHERWISE SPECIFIED		
	CONCENTRICITY UNLESS OTHERWISE SPECIFIED		
	PROFILE UNLESS OTHERWISE SPECIFIED		
	ROUNDNESS UNLESS OTHERWISE SPECIFIED		
	CIRCULARITY UNLESS OTHERWISE SPECIFIED		
	TOTAL RUN OUT UNLESS OTHERWISE SPECIFIED		
	CYLINDRICITY UNLESS OTHERWISE SPECIFIED		
	FINISH UNLESS OTHERWISE SPECIFIED		
<p>DO NOT SCALE DRAWING</p> <p>REMOVE FIRST THREAD</p> <p>BREAK ALL SHARP CORNERS .010 TO .020</p> <p>STAMP OR MARK DRAWING NO.</p>		<p>DRAWN BY: [ ] DATE: 7-19-89</p> <p>CHECKED BY: [ ] SCALE: [ ]</p> <p>RJH</p>	<p>DRAWING NO. 123059</p> <p>SHEET OF REV. [ ]</p>