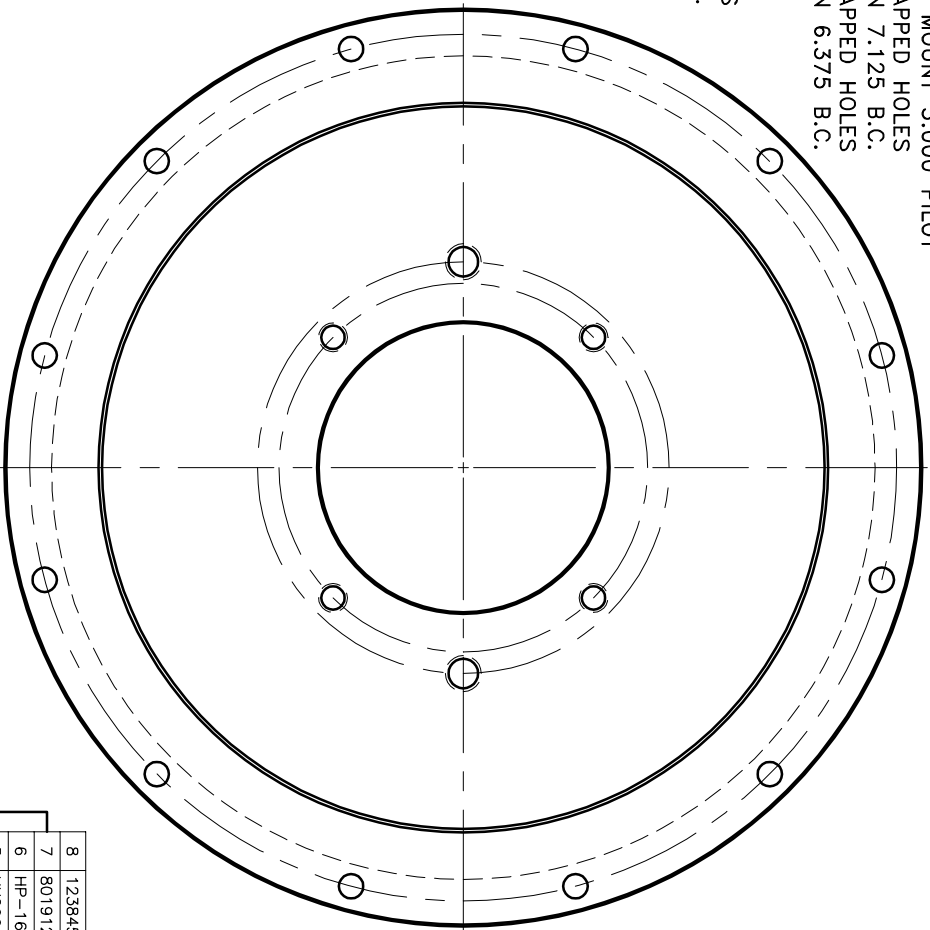
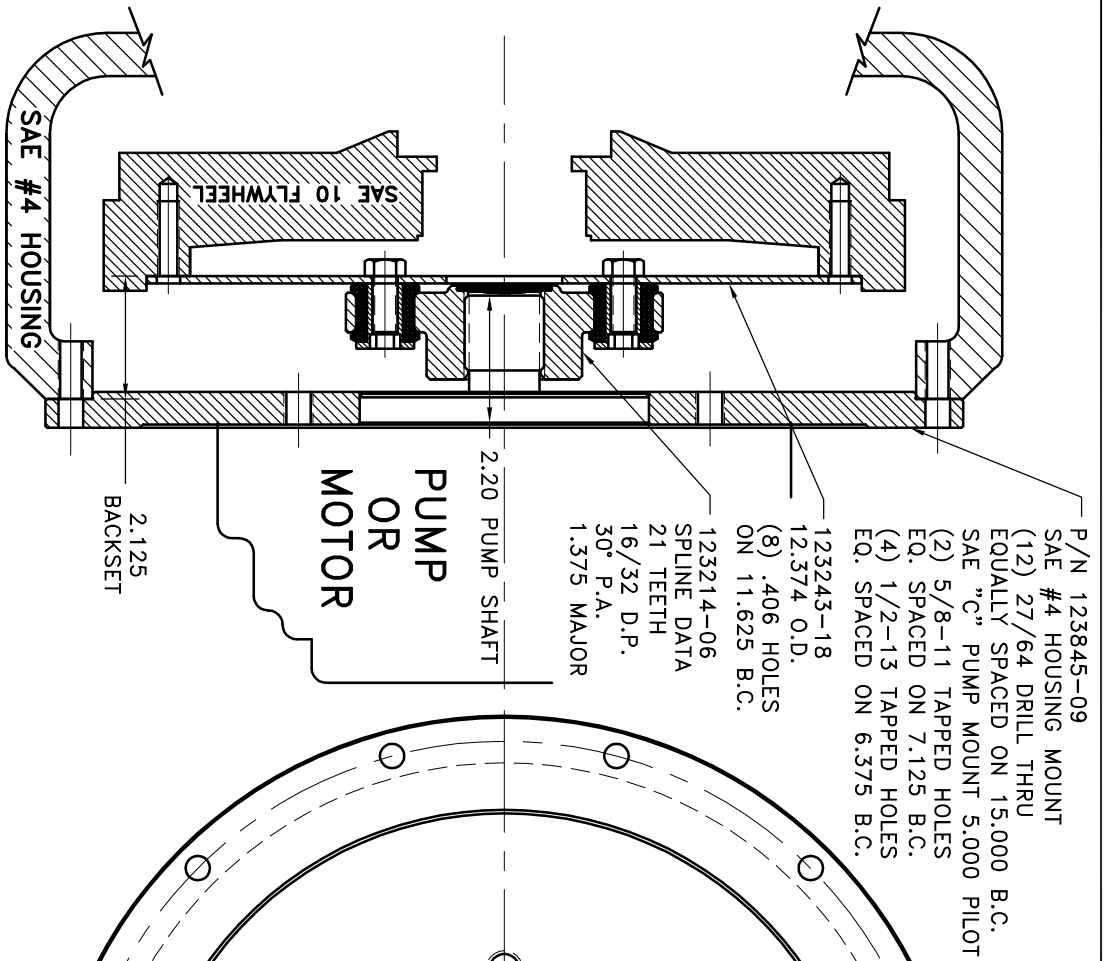


REV	DATE	CHANGE DESCRIPTION	MOD BY	CHK1	CHK2
E	10/12/2006	CHANGED TO BOLTED INSERTS.	ZS		



COUPLING ASS'Y #123132

UP TO 110 HP

QTY.	DESCRIPTION	PART NUMBER	DO NOT SCALE DRAWING
1	FLYWHEEL PLATE	123243-18	
1	COUPLING HUB	123214-06	
6	NEOPRENE INSERT	H629500	
6	THREADED BUSHING	123127	
1	GREASE PLUG	HP-1625-S-62	
1	FLYWHEEL MOUNT PLATE	801912	
1		123845-09	

SYMBOLS

- STRANDLESS
- ANGULARITY
- SQUARENESS
- PARALLELISM
- TRUE POSITION
- ROUNDNESS
- CIRCULAR RUN OUT
- TOTAL RUN OUT
- CYLINDRICITY
- FINISH

— UNLESS OTHERWISE SPECIFIED —
 BREAK ALL SHARP CORNERS .010 TO .020
 ON ALL TAPPED HOLES
 STAMP OR MARK DRAWING NO.

DO NOT SCALE DRAWING

TOLERANCES UNLESS OTHERWISE SPECIFIED

ANGLE 1/32

FRACTIONAL DECIMAL .00 ±.01 .000 ±.0005

UNLESS OTHERWISE SPECIFIED —

HAYES MANUFACTURING INC. ©

FLYWHEEL COUPLING ASSY WITH PUMP MOUNT PLATE

DRAWN BY: DATE: 08-07-89

CHECKED BY: SCALE: SHEET 123121 OF REV.

THIS DRAWING IS THE PROPERTY OF HAYES MFG. INC. AND IS LOANED TO YOU FOR YOUR USE ONLY. IT IS NOT TO BE REPRODUCED, COPIED, LOANED OR OTHERWISE DISPOSED OF DIRECTLY OR INDIRECTLY. IT SHALL BE USED AS A MEANS OF REFERENCE TO WORK FURNISHED BY THIS COMPANY ONLY AND IS NOT TO BE SUBMITTED TO OUTSIDE PARTIES FOR EXAMINATION WITHOUT OUR CONSENT.