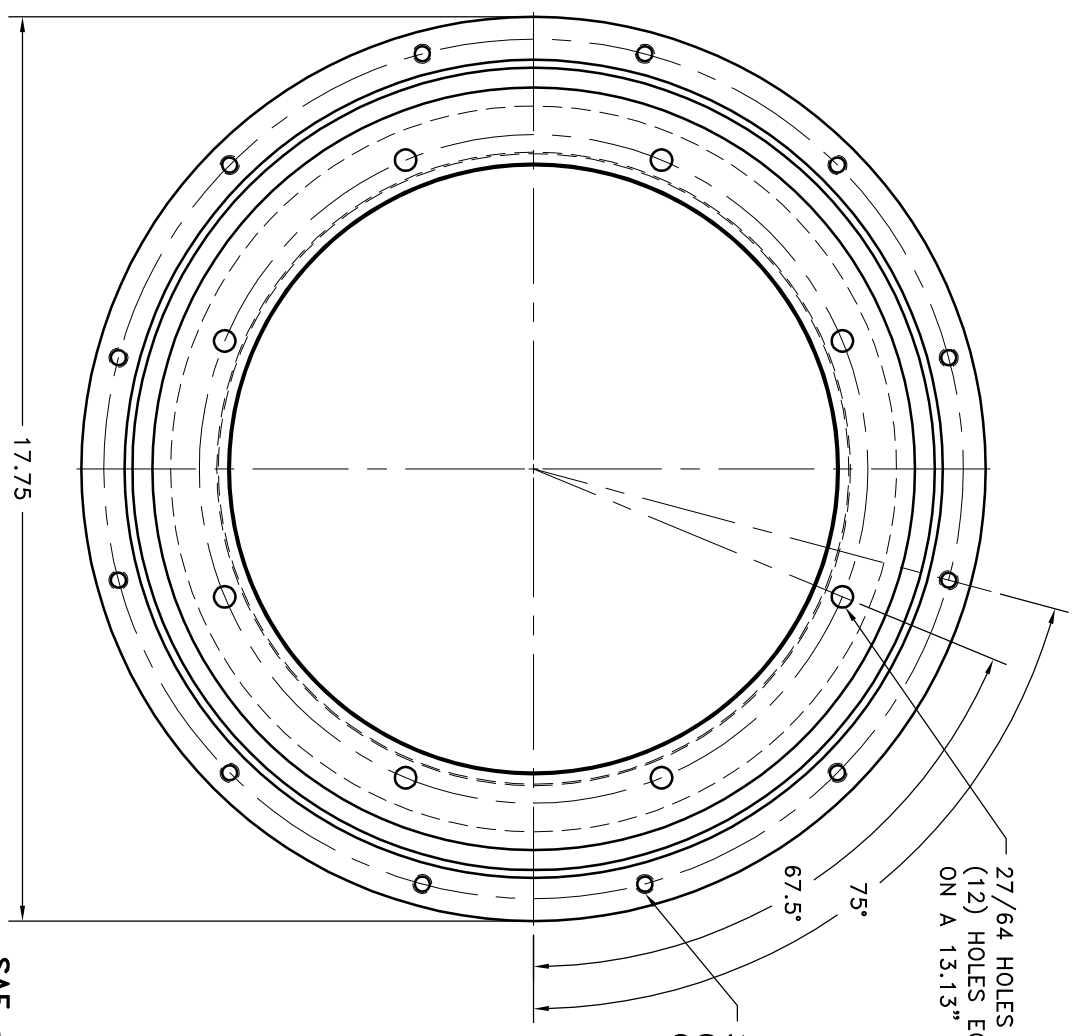
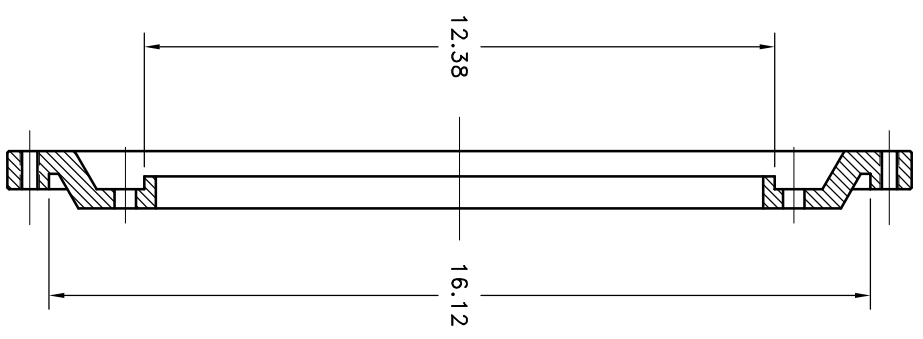


REV	DATE	CHANGE DESCRIPTION	MOD BY	CK1	CK2



27/64 HOLES
(12) HOLES EQ. SPACED
ON A 13.13" B.C.

3/8-16 TAPPED HOLES
(8) HOLES EQ. SPACED
ON A 16.88 B.C.

SAE #5 TO #3 x 0" OFFSET

THIS DRAWING IS THE PROPERTY OF HAYES MFG. INC. AND IS LOANED TO YOU FOR THE PURPOSES OF MANUFACTURING. IT SHALL BE USED AS A MEANS OF REFERENCE TO WORK FURNISHED BY THIS COMPANY ONLY, AND IS NOT TO BE SUBMITTED TO OUTSIDE PARTIES FOR EXAMINATION WITHOUT OUR CONSENT.

SYMBOLS	DET.	PART NUMBER	DESCRIPTION	QTY.
STAMPS FLATNESS SQUARENESS ANGULARITY PARALLELISM PERPENDICULARITY CONCENTRICITY TOTAL RUN OUT CIRCULAR RUN OUT CIRCULAR RUN OUT CIRCULARITY FINISH	DO NOT SCALE DRAWING TOLERANCES UNLESS OTHERWISE SPECIFIED FRACTIONS MAXIMUM ANGLE ±1/2° UNLESS OTHERWISE SPECIFIED - .000 ±.01 .000 ±.005 .0000 ±.0005		HAYES MANUFACTURING INC. © HOUSING ADAPTER ALUMINUM	
MAKE TAPPED HOLES BREAK ALL SHARP CORNERS .010 TO .020 STAMP OR MARK DRAWING NO.	DRAWN BY SLEETING CHECKED BY R/HJ	DATE 04-10-07 SCALE	DRAWING NO. 26-00131 OF SHEET REV.	