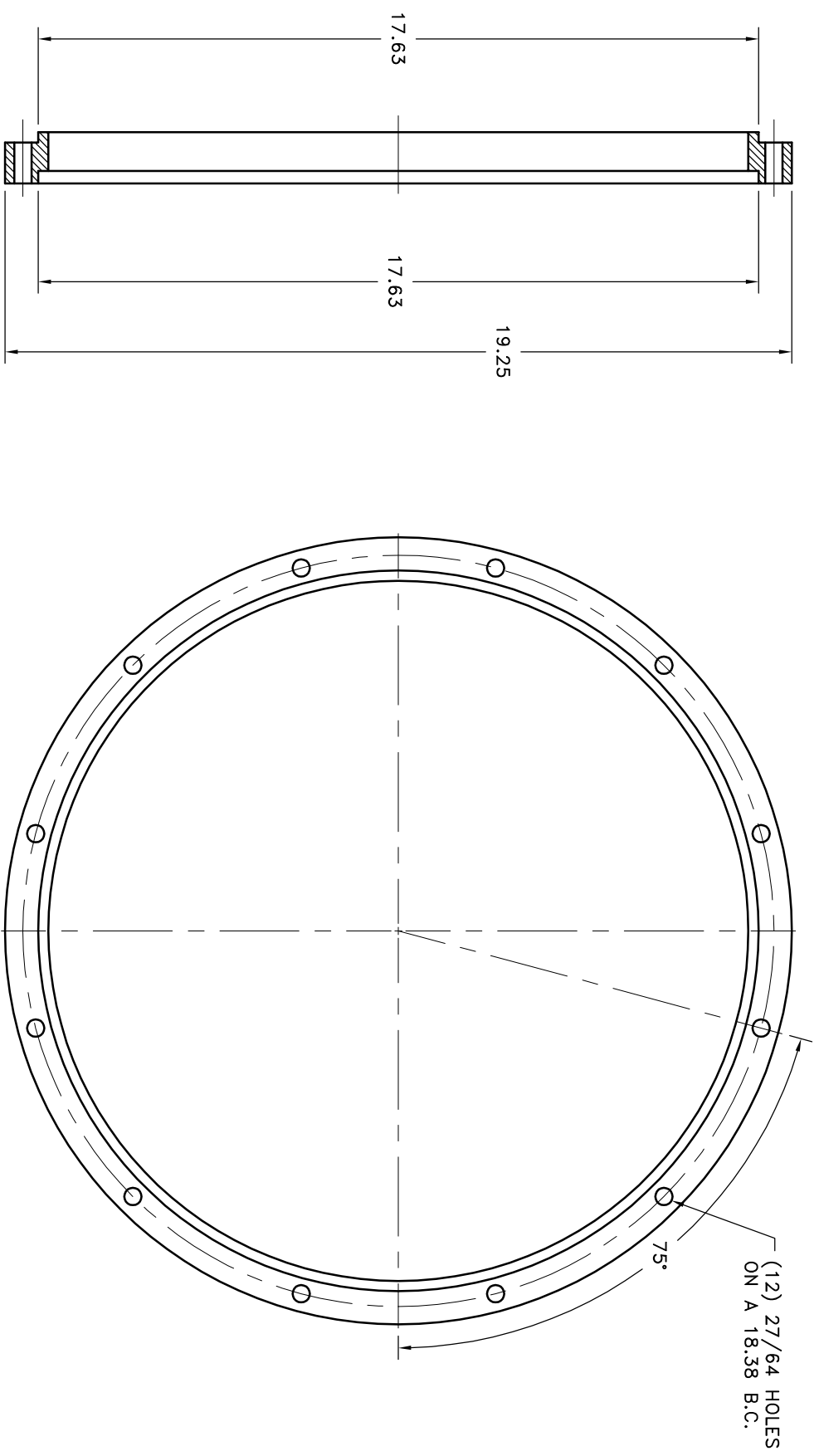


REV	DATE	CHANGE DESCRIPTION	MOD BY	CK1	CK2



SAE #2 TO #2 WITH 1" SETBACK

SYMBOLS		DEF.		PART NUMBER		DESCRIPTION		QTY.	
⊃	FLANGES	DO NOT SCALE	DRAWING						
⊃	FLANGES								
⊃	ANGULARITY								
⊃	SQUARENESS								
⊃	PARALLELISM								
⊃	PERPENDICULARITY								
⊃	CONCENTRICITY								
⊃	TOTAL RUN OUT								
⊃	ROUNDNES								
⊃	CIRCULAR RUN OUT								
⊃	CYLINDRICITY								
⊃	FINISH								
⊃	UNLESS OTHERWISE SPECIFIED -								
⊃	REWORK TYPED HERE								
⊃	BREAK ALL SHARP CORNERS .010 TO .020								
⊃	STAMP OR MARK DRAWING NO.								
⊃	ANGLE ±1/2°								
⊃	FORM ±.005								
⊃	DEPUL ±.01								
⊃	FINISH .000 ±.0005								
⊃	UNLESS OTHERWISE SPECIFIED -								
⊃	REWORK TYPED HERE								
⊃	BREAK ALL SHARP CORNERS .010 TO .020								
⊃	STAMP OR MARK DRAWING NO.								
TITLE		DRAWN BY		DATE		DRAWING NO.			
HOUSING ADAPTER		R/H		04-12-07		26-00140			
MATERIAL		CHECKED BY		SCALE		SHEET		OF	
ALUMINUM		SCALE		SCALE		REV.			



THIS DRAWING IS THE PROPERTY OF HAYES MFG. INC. AND IS LOANED TO YOU FOR THE PURPOSES OF THE PROJECT ONLY. IT SHALL BE USED AS A MEANS OF REFERENCE TO WORK FURNISHED BY THIS COMPANY ONLY, AND IS NOT TO BE SUBMITTED TO OUTSIDE PARTIES FOR EXAMINATION WITHOUT OUR CONSENT.