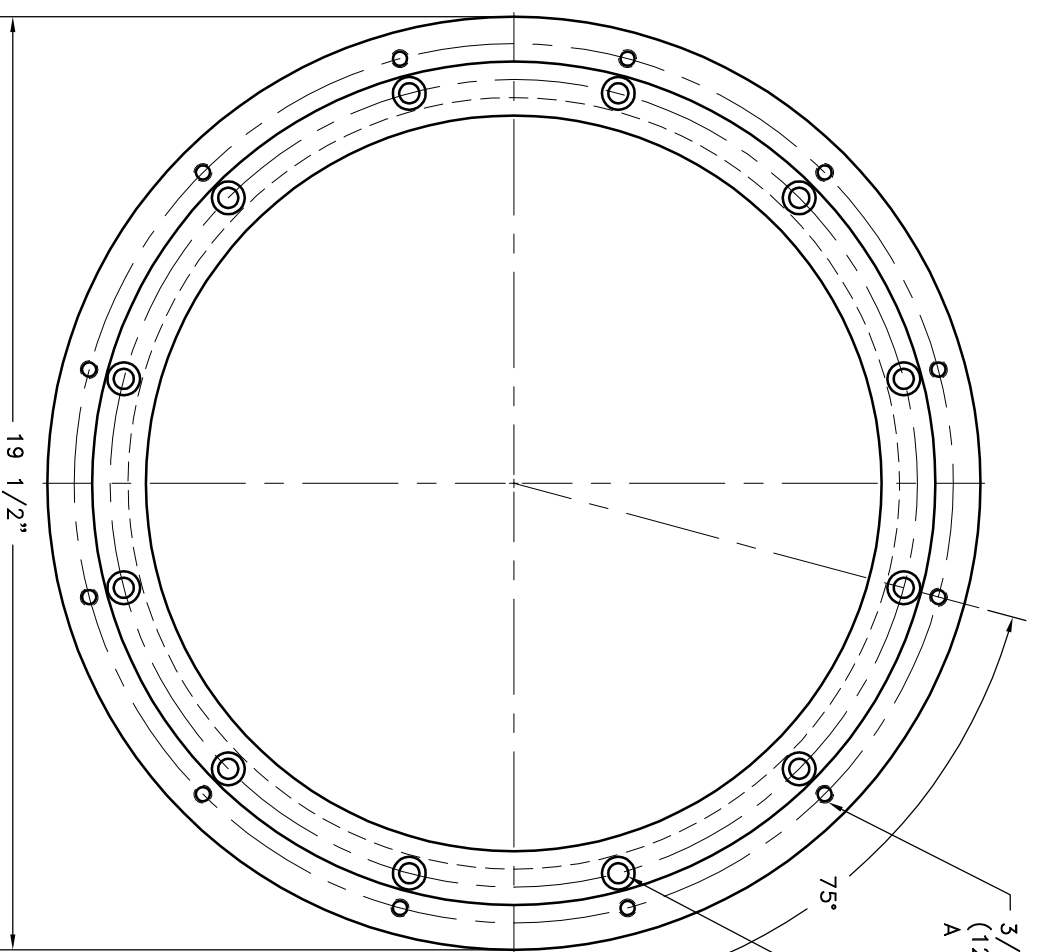
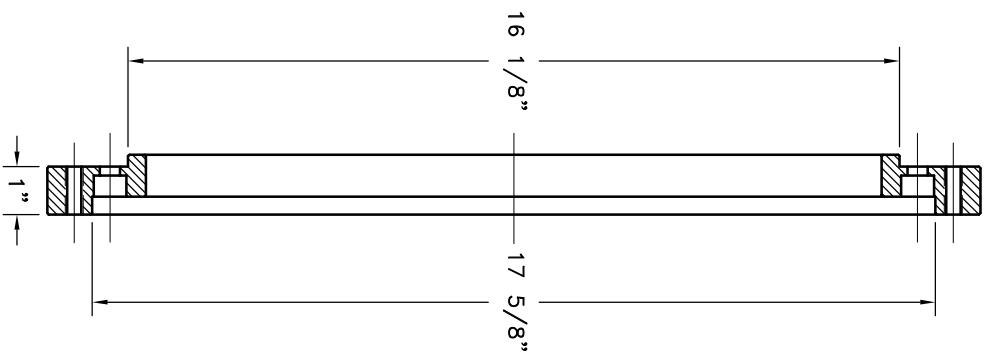


REV	DATE	CHANGE DESCRIPTION	MOD BY	CK1	CK2



3/8-16 TAPPED HOLES
(12) EQ. SPACED ON
A 18 3/8" B.C.

(12) 11/16" C'BORE
13/32 HOLES EQ. SPACED
ON A 16 7/8" B.C.

SAE #3 TO #2 x 1" OFFSET

THIS DRAWING IS THE PROPERTY OF HAYES MFG. INC. AND IS LOANED TO YOU FOR THE CONSTRUCTION OF THE PART SPECIFIED HEREON. IT SHALL BE USED AS A MEANS OF REFERENCE TO WORK FURNISHED BY THIS COMPANY ONLY, AND IS NOT TO BE SUBMITTED TO OUTSIDE PARTIES FOR EXAMINATION WITHOUT OUR CONSENT.

SYMBOLS	DEF.	PART NUMBER	DESCRIPTION	QTY.
<ul style="list-style-type: none"> FLATNESS STRAIGHTNESS ANGULARITY PARALLELISM PERPENDICULARITY CONCENTRICITY TOTAL RUN OUT ROUNDNESS CIRCULAR RUN OUT CYLINDRICITY FINISH 	<ul style="list-style-type: none"> DO NOT SCALE DRAWING TOLERANCES UNLESS OTHERWISE SPECIFIED ANGLE ±1/2° FINISH: .000 ±.005 DEBurr: .000 ±.005 UNLESS OTHERWISE SPECIFIED - MAKE SHARP CORNERS .010 TO .020 BREAK ALL SHARP CORNERS .010 TO .020 STAMP OR MARK DRAWING NO. 		<p>HAYES MANUFACTURING INC. ®</p> <p>ALUMINUM</p> <p>HOUSING ADAPTER</p>	
<ul style="list-style-type: none"> DRAWN BY CHECKED BY DATE SCALE SHEET 	<ul style="list-style-type: none"> DATE SCALE SHEET 	<ul style="list-style-type: none"> DRAWING NO. REV. 		