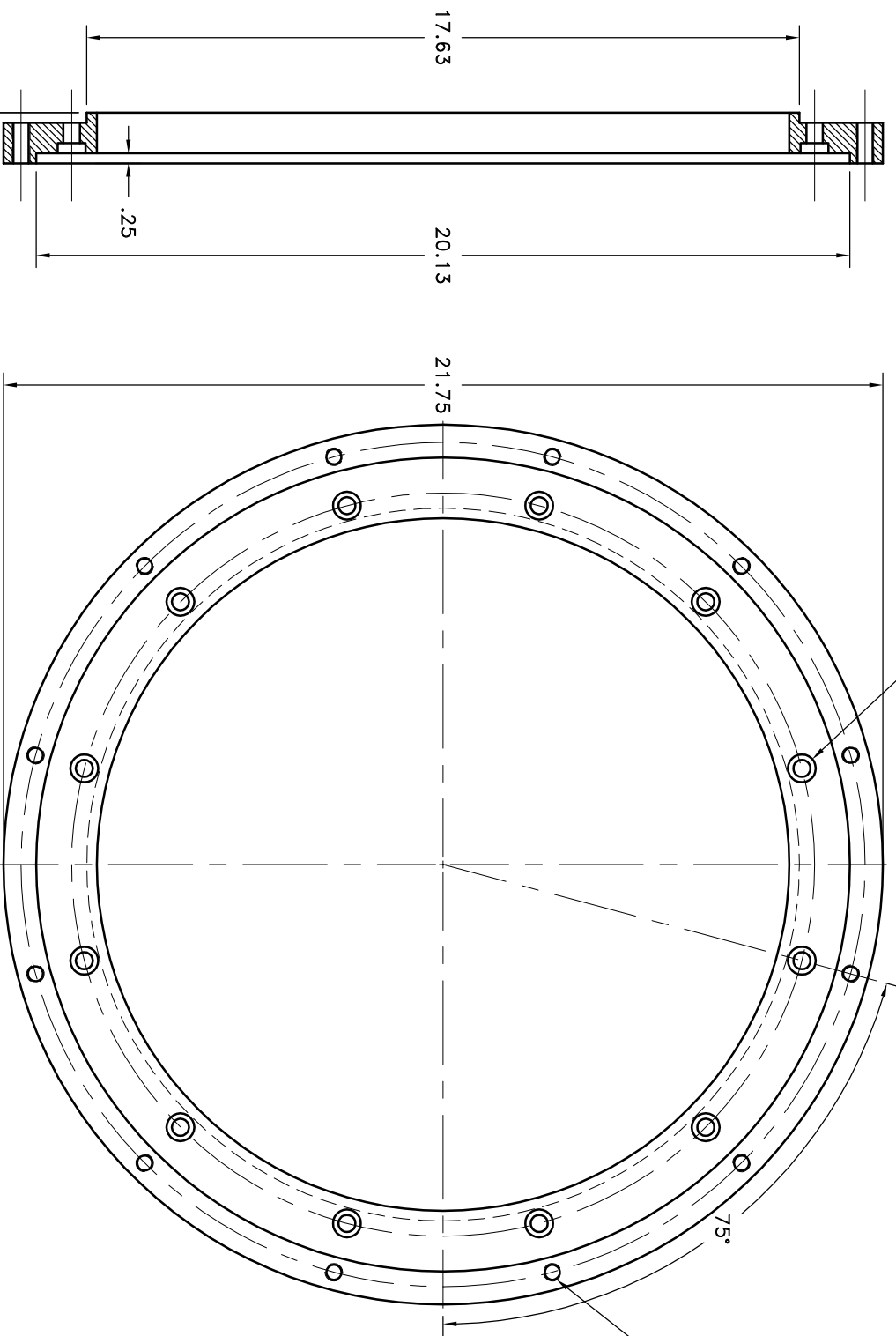


(12) 27/64 HOLES
WITH 11/16 C'BORE
ON A 18.38 B.C.



(12) 7/16-14 TAPPED
HOLES ON A 20.88 B.C.

REV	DATE	CHANGE DESCRIPTION	MOD BY	CK1	CK2

SAE #2 TO #1 WITH 1" SETBACK

SYMBOLS		DET.		PART NUMBER		DESCRIPTION		QTY:	
—	FLATNESS	DO NOT SCALE	DRAWING						
—	STRAIGHTNESS	TOLERANCES UNLESS OTHERWISE SPECIFIED		ANGLE ±1/2°		TITLE		DRAWN BY	
—	ANGULARITY	FRACTIONAL		MAXIMUM		HOUSING ADAPTER		DATE	
—	PARALLELISM	DECIMAL		MINIMUM		ALUMINUM		04-10-07	
—	SQUARENESS	±.0005		MAXIMUM		MANUFACTURING INC. ©		SHEETING	
—	CIRCULAR RUN OUT	±.01		MAXIMUM		DRAWING NO.		SCALE	
—	CYLINDRICITY	±.0005		MAXIMUM		26-00310		CHECKED BY	
—	FINISH	UNLESS OTHERWISE SPECIFIED -		MAXIMUM		R/H		REV.	
—	ROUNDNESS	REWORK THESE DIMENSIONS		MAXIMUM		DATE		SHEET	
—	TOTAL RUN OUT	BREAK ALL SHARP CORNERS .010 TO .020		MAXIMUM		04-10-07		OF	
—	FINISH	STAMP OR MARK DRAWING NO.		MAXIMUM		26-00310		REV.	

THIS DRAWING IS THE PROPERTY OF HAYES MFG. INC. AND IS LOANED TO YOU FOR THE EXCLUSIVE USE OF THE PROJECT AND NOT TO BE REPRODUCED OR COPIED IN ANY MANNER WITHOUT THE WRITTEN PERMISSION OF HAYES MFG. INC. IT SHALL BE USED AS A MEANS OF REFERENCE TO WORK FURNISHED BY THIS COMPANY ONLY AND IS NOT TO BE SUBMITTED TO OUTSIDE PARTIES FOR EXAMINATION WITHOUT OUR CONSENT.