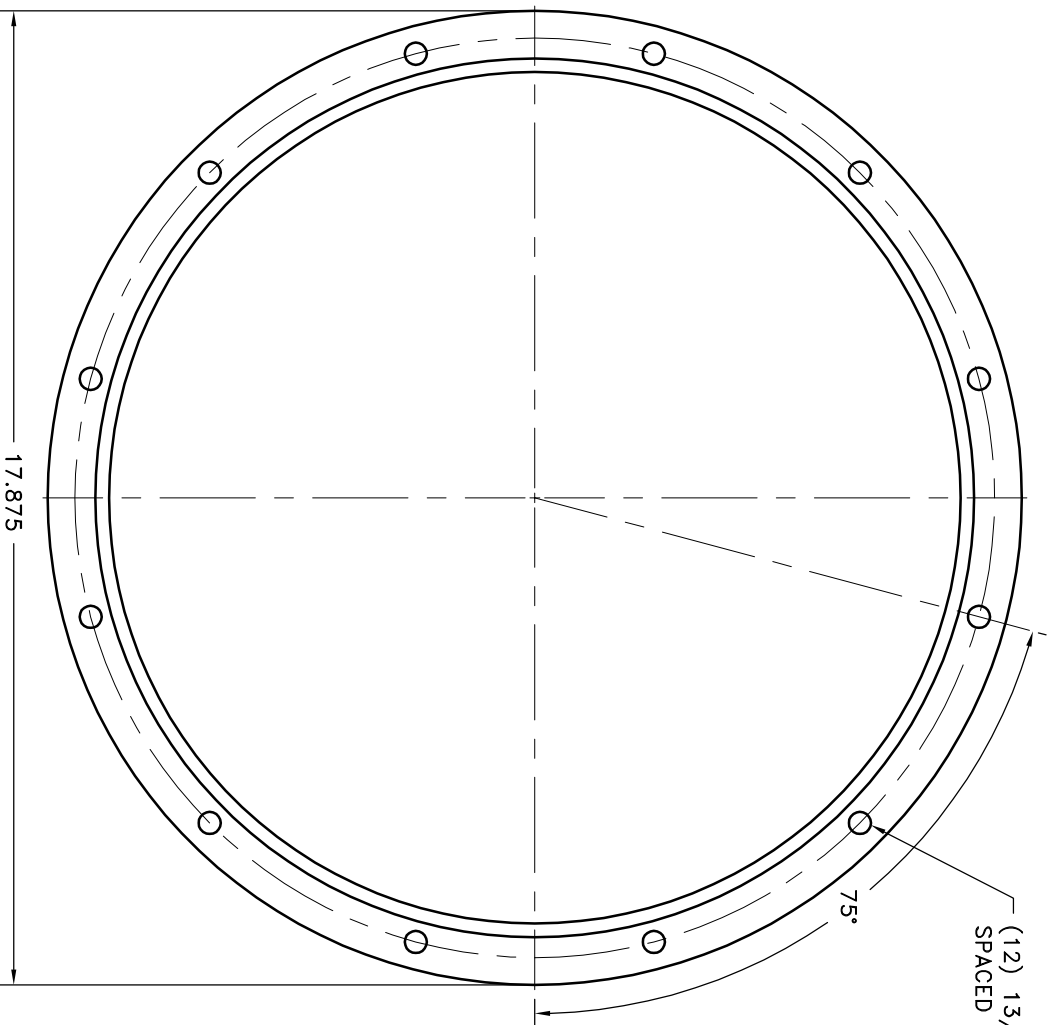
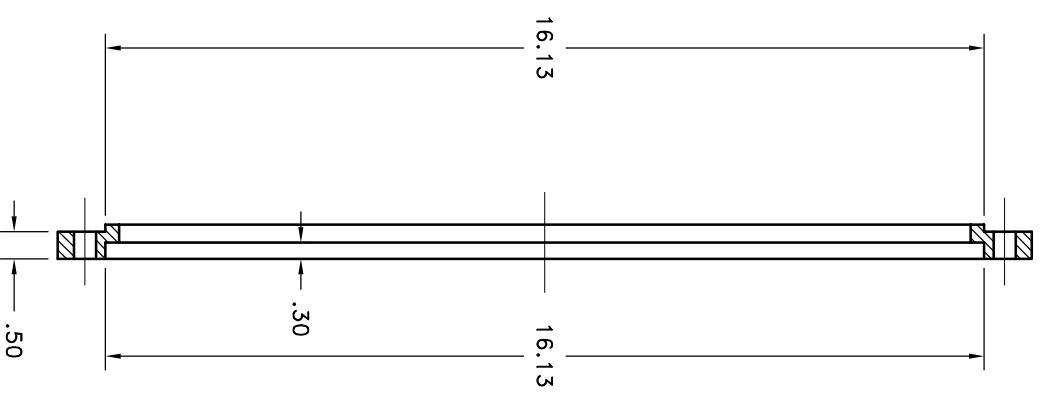


REV	DATE	CHANGE DESCRIPTION	MOD BY	CK1	CK2



SAE #3 TO #3 x 1/2" OFFSET

SYMBOLS		DET.		DESCRIPTION	
FLATNESS	DO NOT SCALE	PART NUMBER	QTY:	<p>S.A.E. HOUSING SPACER</p> <p>ALUMINUM</p>	
STRAIGHTNESS	DRAWING				
ANGULARITY	TOLERANCES UNLESS OTHERWISE SPECIFIED				
PARALLELISM	MAXIMUM				
PERPENDICULARITY	ANGLE ±1/2°				
CONCENTRICITY	FORM DEVIATION				
POSITION	±.01				
CIRCULAR RUN OUT	±.005				
TOTAL RUN OUT	±.005				
CYLINDRICITY	±.0005				
FINISH	UNLESS OTHERWISE SPECIFIED -				
	REWORK FIRST THREE				
	BREAK ALL SHARP CORNERS .010 TO .020				
	STAMP OR MARK DRAWING NO.				
	DRAWN BY	DATE	DRAWING NO.		
	SEITING	04-10-07	26-00335		
	CHECKED BY	SCALE	26-00335		
	RAH		OF		
			REV.		

THIS DRAWING IS THE PROPERTY OF HAYES MFG. INC. AND IS LOANED TO YOU FOR THE CONSTRUCTION OF THE PARTS SHOWN HEREON ONLY. IT SHALL BE USED AS A MEANS OF REFERENCE TO WORK FURNISHED BY THIS COMPANY ONLY AND IS NOT TO BE SUBMITTED TO OUTSIDE PARTIES FOR EXAMINATION WITHOUT OUR CONSENT.