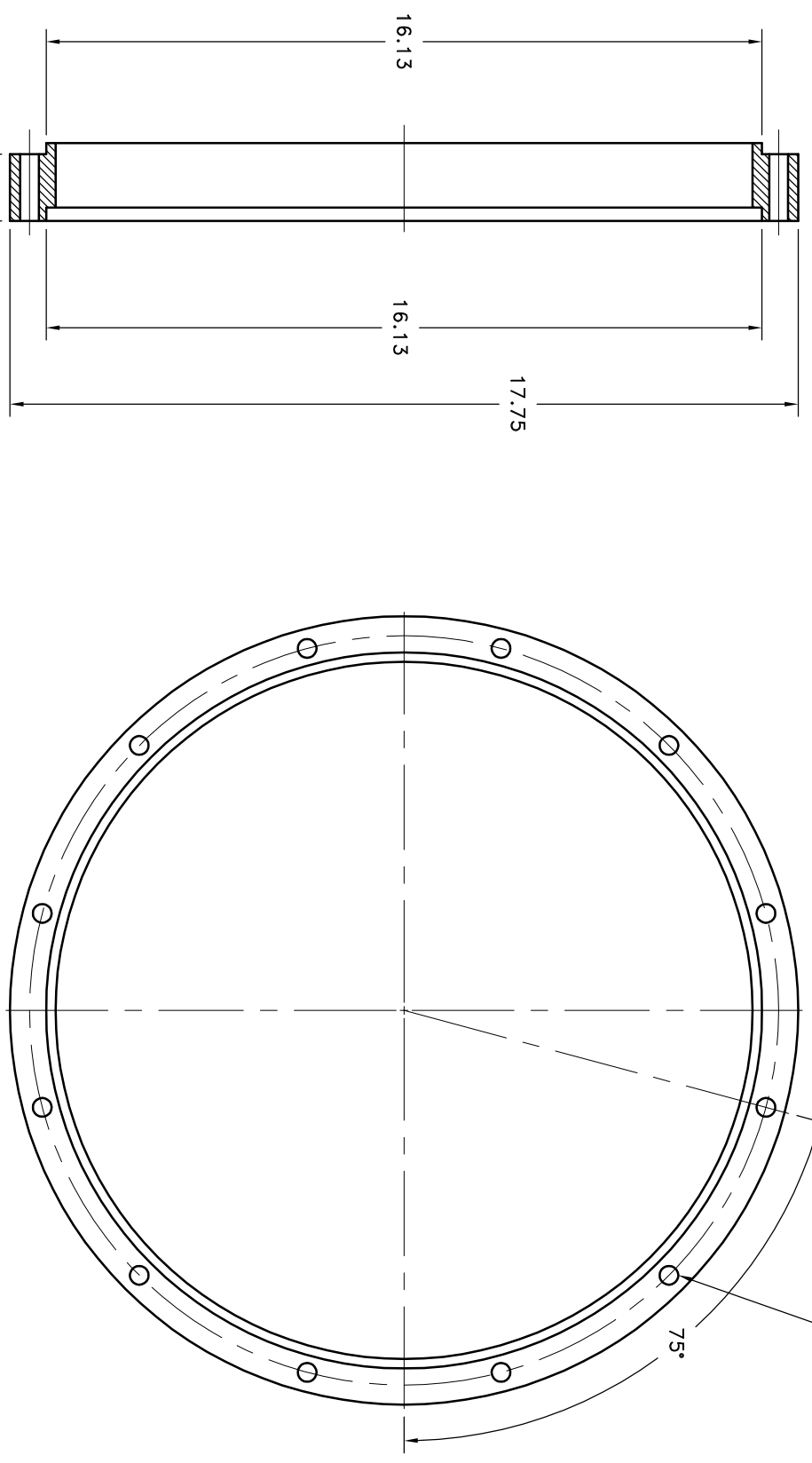


REV	DATE	CHANGE DESCRIPTION	MOD BY	CK1	CK2



(12) 27/64 HOLES
ON A 16.875 B.C.

SAE #3 TO #3 WITH 1 1/2" SETBACK

SYMBOLS		DET.		PART NUMBER		DESCRIPTION		QTY.	
⊥	FLATNESS	DO NOT SCALE	DRAWING						
∠	ANGULARITY								
∥	PARALLELISM	TOLERANCES UNLESS SPECIFIED							
⊙	CIRCULAR RUN OUT	MAXIMUM							
⊖	TOTAL RUN OUT	ANGLE ±1/2°							
⊘	ROUNDNESS	FORM DEVIAT							
⊘	CYLINDRICITY	.00 ±.01							
√	FINISH	.0000 ±.0005							
		UNLESS OTHERWISE SPECIFIED -							
		REWORK FIBERED							
		BREAK ALL SHARP CORNERS .010 TO .020							
		STAMP OR MARK DRAWING NO.							
TITLE		DRAWN BY		DATE		DRAWING NO.			
HOUSING ADAPTER		RJH		04-12-07		26-00392			
MATERIAL		ALUMINUM		SCALE		SHEET		REV.	
						26-00392			
						OF			
						REV.			



THIS DRAWING IS THE PROPERTY OF HAYES MFG. INC. AND IS LOANED TO YOU FOR CONSTRUCTION PURPOSES ONLY. IT IS NOT TO BE REPRODUCED, COPIED, OR IN ANY MANNER DISPERSED OR DIRECTLY OR INDIRECTLY USED FOR ANY OTHER PURPOSES WITHOUT THE WRITTEN CONSENT OF HAYES MFG. INC. THIS COMPANY ONLY AND IS NOT TO BE SUBMITTED TO OUTSIDE PARTIES FOR EXAMINATION WITHOUT OUR CONSENT.