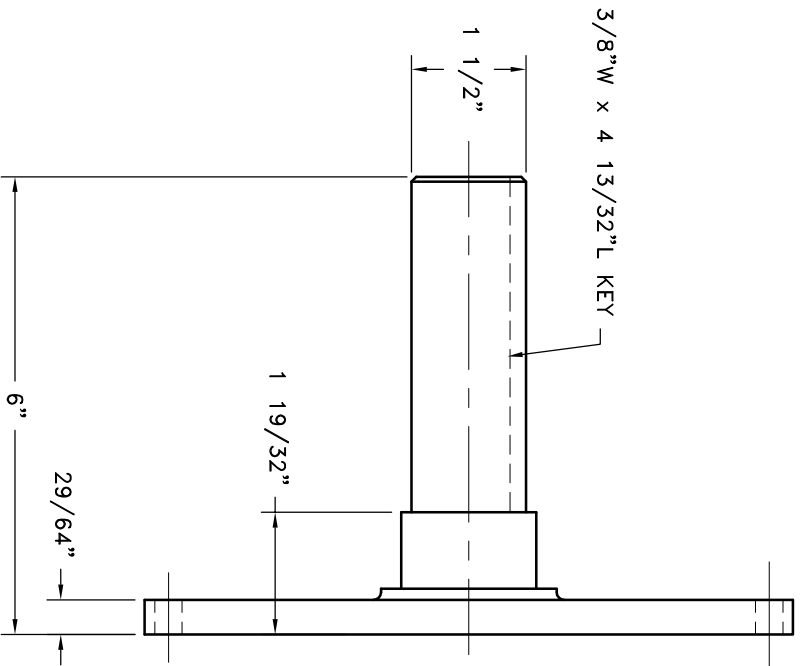
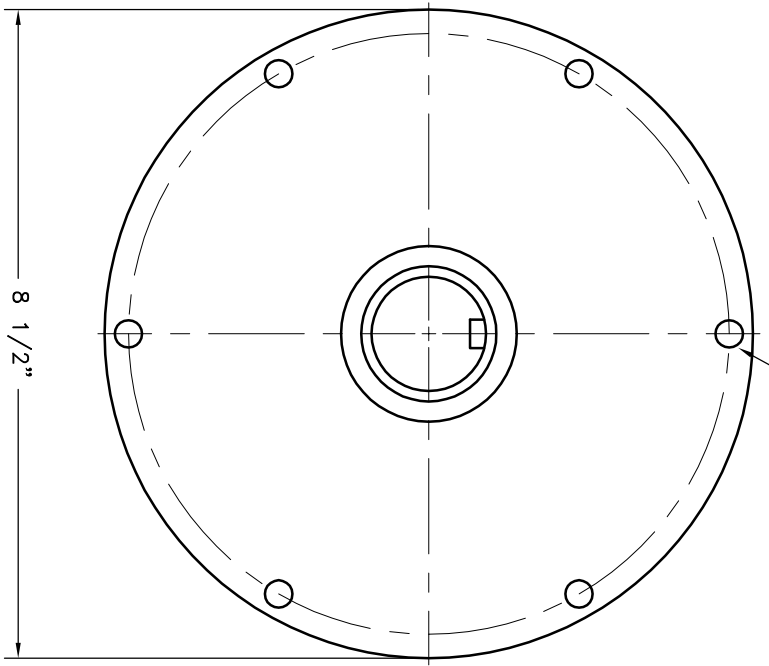


REV	DATE	CHANGE DESCRIPTION	MOD BY	CK1	CK2

(6) 23/64 HOLES EQ.
SPACED ON A 7 7/8" B.C.



S.A.E. 6 1/2 STUB SHAFT

SYMBOLS		DET.	PART NUMBER	DESCRIPTION	QTY.
	FLATNESS	DO NOT SCALE			
	FINISH	DRAWING			
	ANGULARITY				
	PARALLELISM	TOLERANCES UNLESS OTHERWISE SPECIFIED			
	PERPENDICULARITY	MAXIMUM			
	PROFILE	ANGLE ±1/2°			
	ROUNDNESS	FORM DEVIATION			
	TOTAL RUN OUT	.00 ±.01			
	CIRCULARITY	.000 ±.005			
	CYLINDRICITY	.0000 ±.0005			
FINISH - UNLESS OTHERWISE SPECIFIED - REWORK FRESH THREAD BREAK ALL SHARP CORNERS .010 TO .020 STAMP OR MARK DRAWING NO.					
TITLE		DRAWN BY			
S.A.E. 6 1/2 STUB SHAFT		DATE			
SHEET		06-22-06			
SCALE		R/H			
DRAWING NO.		26-01A51			
SHEET		OF			
REV.		REV.			



THIS DRAWING IS THE PROPERTY OF HAYES MFG. INC. AND IS LOANED TO YOU FOR THE CONSTRUCTION OF THE PART. IT IS NOT TO BE REPRODUCED, COPIED, OR IN ANY MANNER DISPERSED OR DIRECTLY OR INDIRECTLY. IT SHALL BE USED AS A MEANS OF REFERENCE TO WORK FURNISHED BY THIS COMPANY ONLY, AND IS NOT TO BE SUBMITTED TO OUTSIDE PARTIES FOR EXAMINATION WITHOUT OUR CONSENT.