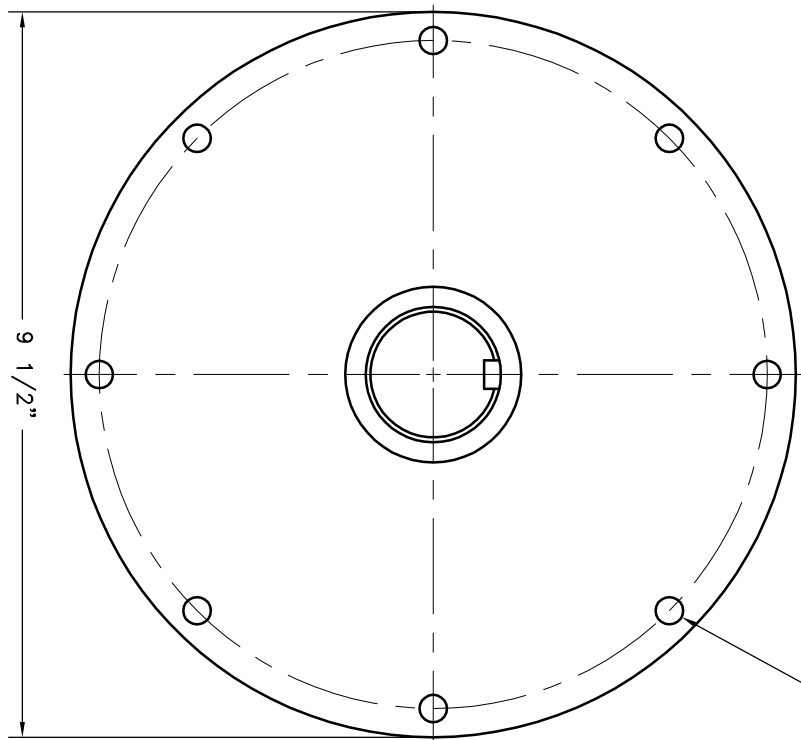
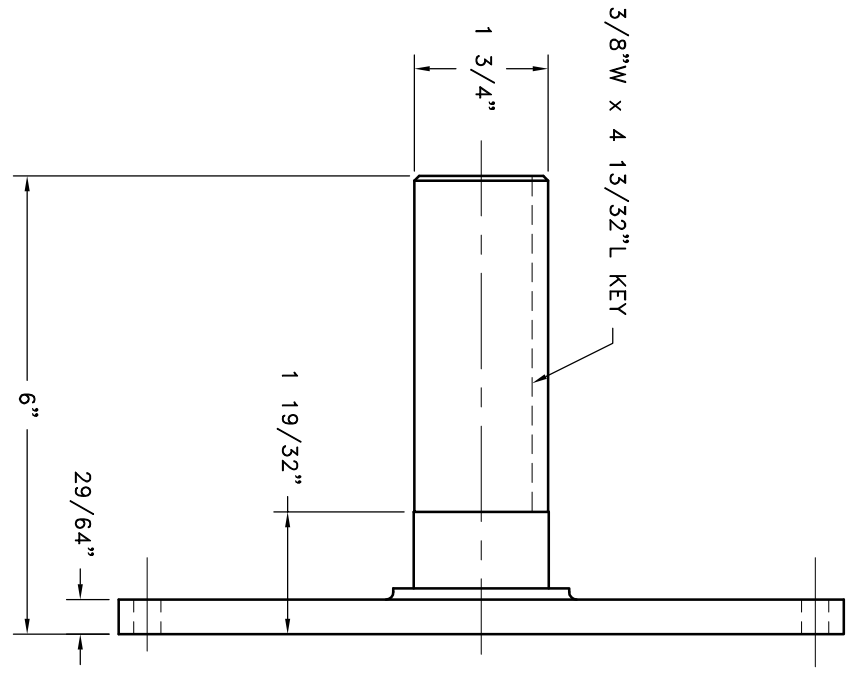


REV	DATE	CHANGE DESCRIPTION	MOD. BY	CHK1	CHK2



(8) 23/64 HOLES EQ. SPACED ON A 8 3/4" B.C.



S.A.E. 7 1/2 STUB SHAFT

SYMBOLS		DET. PART NUMBER		DESCRIPTION		QTY.
—	STRAIGHTNESS	DO NOT SCALE				
∠	ANGULARITY	TOLERANCES UNLESS OTHERWISE SPECIFIED				
⊥	SQUARENESS	1/32" MAXIMUM				
⊙	CONCENTRICITY	ANGLE 45/72				
⊕	TRUE POSITION	FRACTION ±1/32				
⊖	ROUNDNESS	DECIMAL				
⊘	CIRCULAR RUN OUT	.00 ±.01				
⊚	TOTAL RUN OUT	.000 ±.005				
⊚	CIRCULARITY	.000 ±.005				
√	FINISH	UNLESS OTHERWISE SPECIFIED -				
		BREAK ALL SHARP CORNERS .010 TO .020				
		STAMP OR MARK DRAWING NO.				
TITLE		DRAWN BY	DATE	DRAWING NO.		
S.A.E. 7 1/2 STUB SHAFT		CHEKED BY	SCALE	26-02A52	SHEET OF REV.	
HAYES MANUFACTURING INC. ®						

THIS DRAWING IS THE PROPERTY OF HAYES MFG. INC. AND IS LOANED TO YOU BY HAYES MFG. INC. IT IS NOT TO BE REPRODUCED, COPIED, LOANED OR OTHERWISE DISPOSED OF, DIRECTLY OR INDIRECTLY, WITHOUT THE WRITTEN CONSENT OF HAYES MFG. INC. IT SHALL BE USED AS A MEANS OF REFERENCE TO WORK FURNISHED BY HAYES MFG. INC. AND SHALL NOT BE SUBMITTED TO OUTSIDE PARTIES FOR EXAMINATION WITHOUT OUR CONSENT.