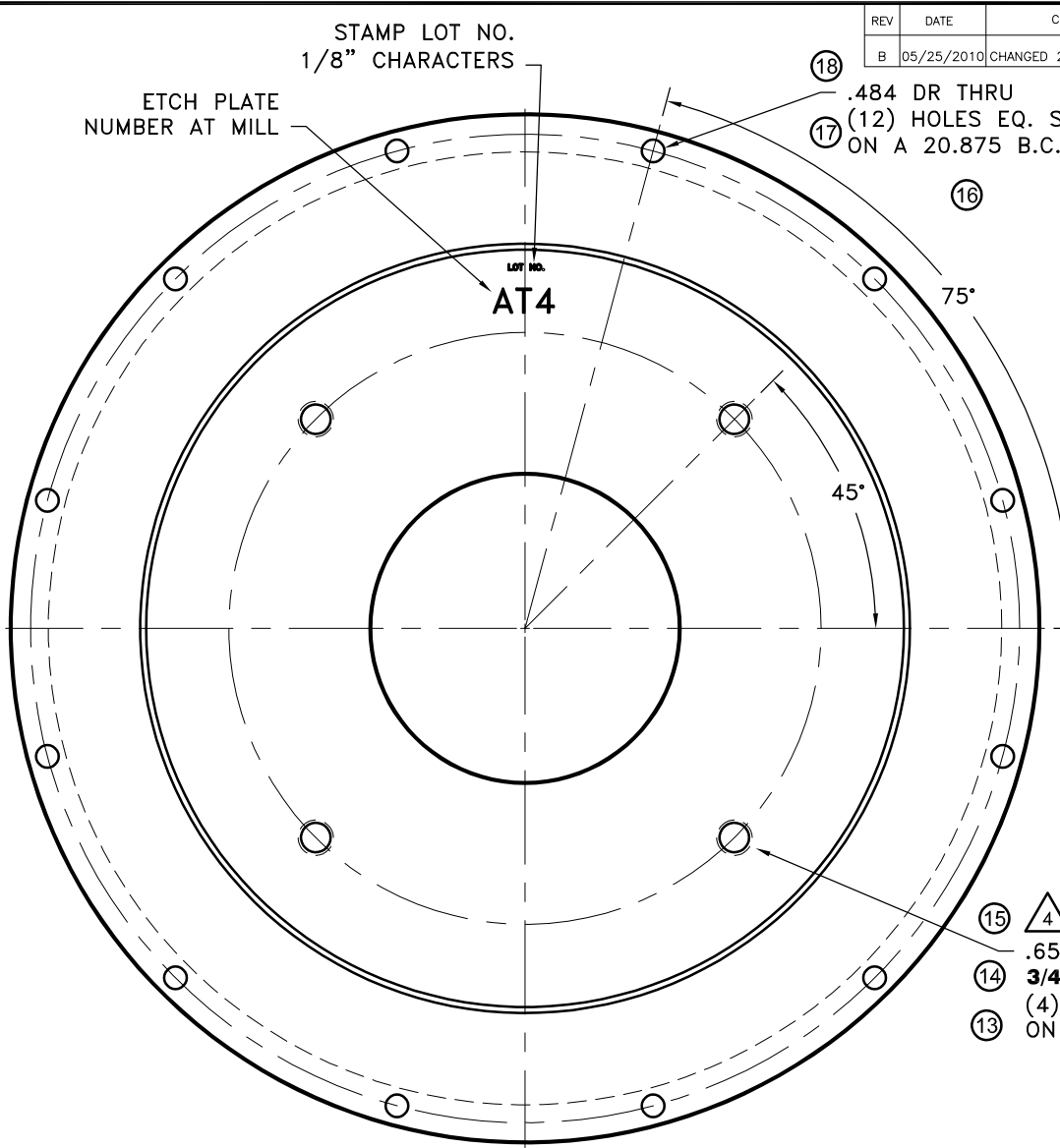
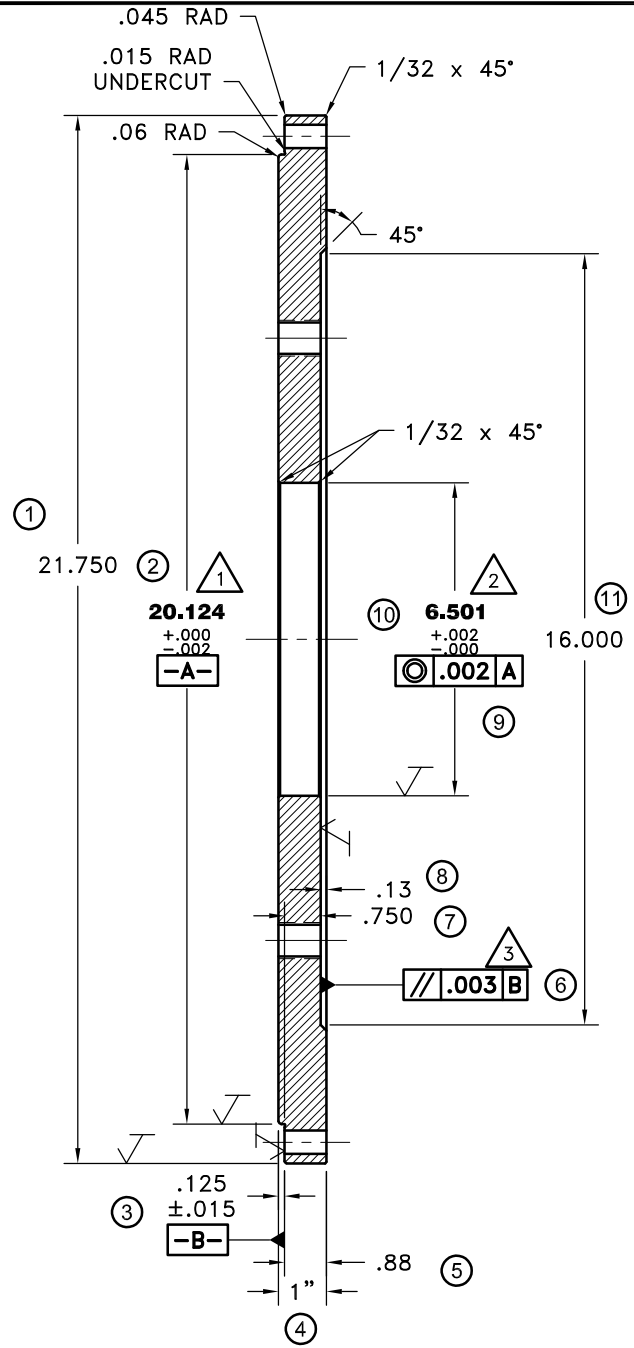


REV	DATE	CHANGE DESCRIPTION	MOD. BY	CK1	CK2
B	05/25/2010	CHANGED 20.125 DIM TO 20.124	PB	JM	RJH



.484 DR THRU
(12) HOLES EQ. SPACED
ON A 20.875 B.C.

.656 DR. THRU
3/4-10 TAP THRU
(4) HOLES EQ. SPACED
ON A 12.500 B.C.

THIS DRAWING IS THE PROPERTY OF HAYES MFG. INC. AND IS LOANED SUBJECT TO THE CONDITION THAT IT SHALL NOT BE REPRODUCED, COPIED, LOANED OR OTHERWISE DISPOSED OF, DIRECTLY OR INDIRECTLY. IT SHALL BE USED AS A MEANS OF REFERENCE TO WORK FURNISHED BY THIS COMPANY ONLY AND IS NOT TO BE SUBMITTED TO OUTSIDE PARTIES FOR EXAMINATION WITHOUT OUR CONSENT.

= CRITICAL FEATURE

SYMBOLS	DET.	PART NUMBER	DESCRIPTION	QTY.
<ul style="list-style-type: none"> FLATNESS STRAIGHTNESS ANGULARITY PERPENDICULARITY PARALLELISM CONCENTRICITY TRUE POSITION ROUNDNESS CIRCULAR RUN OUT TOTAL RUN OUT CYLINDRICITY FINISH 	DO NOT SCALE DRAWING TOLERANCES UNLESS OTHERWISE SPECIFIED 125 MAXIMUM ANGLE ±1/2° FRACTION ±1/32 DECIMAL .00 ±.01 .000 ±.005 .0000 ±.0005	MAKE: <input checked="" type="checkbox"/> BUY: <input type="checkbox"/>	HAYES MANUFACTURING INC. ® PUMP MOUNT PLATE MATERIAL: 123008-ATR	DRAWN BY: R/JH DATE: 02-11-2010 CHECKED BY: R/JH SCALE:
CLASS: PMP1 DESCRIPTION: SAE1,E4,1,PMP	DRAWING NO.: 123008-AT4 SHEET OF REV.			