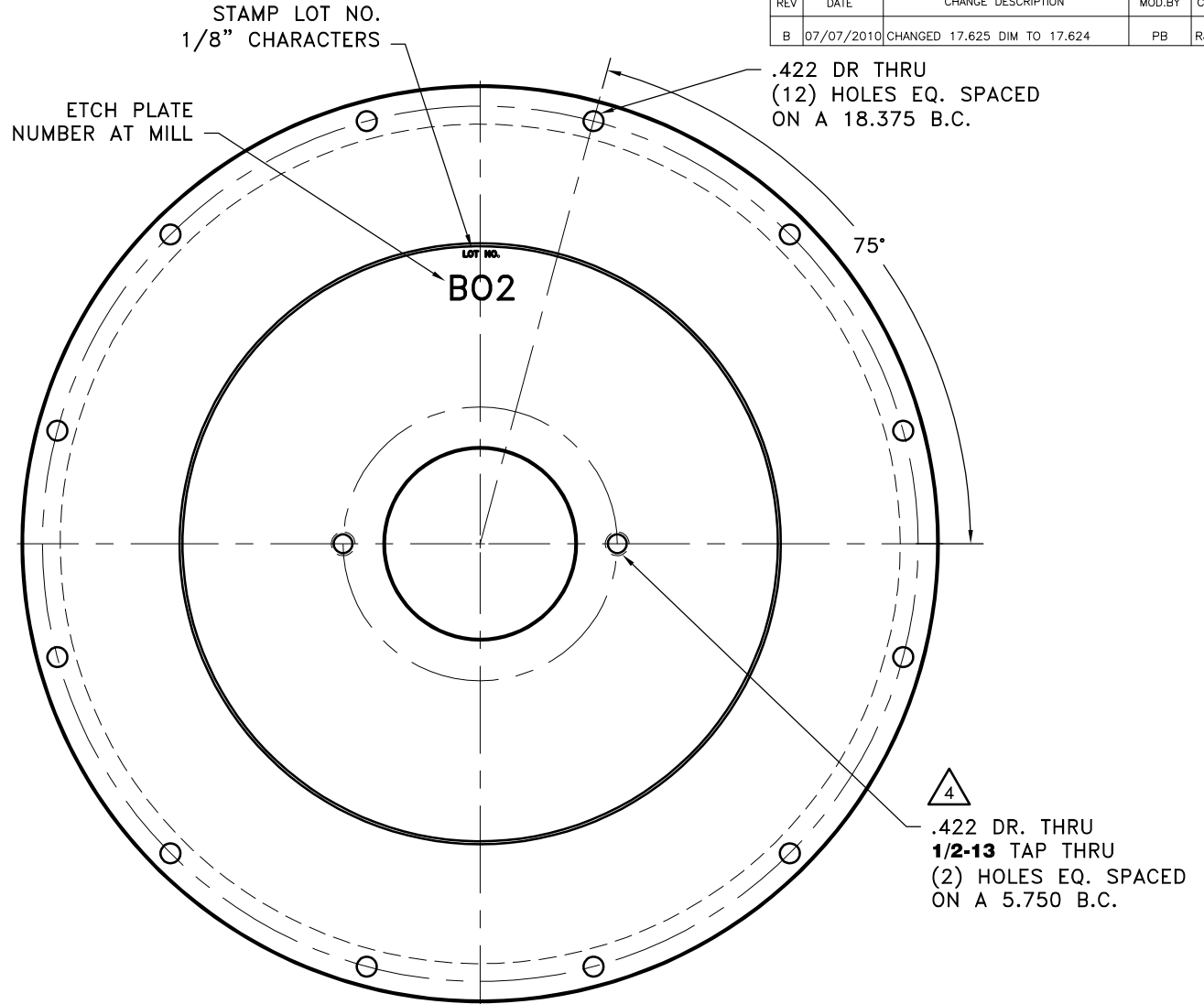
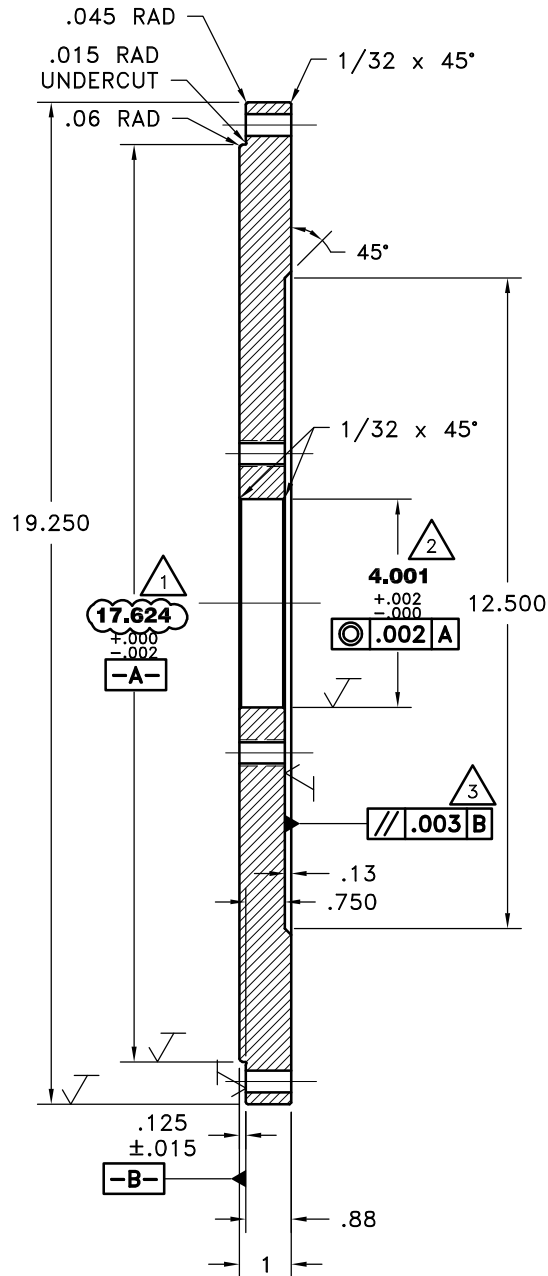


REV	DATE	CHANGE DESCRIPTION	MOD. BY	CK1	CK2
B	07/07/2010	CHANGED 17.625 DIM TO 17.624	PB	RJH	JM



THIS DRAWING IS THE PROPERTY OF HAYES MFG. INC. AND IS LOANED SUBJECT TO THE CONDITION THAT IT SHALL NOT BE REPRODUCED, COPIED, LOANED OR OTHERWISE DISPOSED OF, DIRECTLY OR INDIRECTLY. IT SHALL BE USED AS A MEANS OF REFERENCE TO WORK FURNISHED BY THIS COMPANY ONLY AND IS NOT TO BE SUBMITTED TO OUTSIDE PARTIES FOR EXAMINATION WITHOUT OUR CONSENT.

= CRITICAL FEATURE

SYMBOLS	DET.	PART NUMBER	DESCRIPTION	QTY.
<ul style="list-style-type: none"> FLATNESS STRAIGHTNESS ANGULARITY PERPENDICULARITY PARALLELISM CONCENTRICITY TRUE POSITION ROUNDNESS CIRCULAR RUN OUT TOTAL RUN OUT CYLINDRICITY FINISH 	DO NOT SCALE DRAWING TOLERANCES UNLESS OTHERWISE SPECIFIED 125 MAXIMUM ANGLE ±1/2° FRACTION ±1/32 DECIMAL .00 ±.01 .000 ±.005 .0000 ±.0005	MAKE: <input checked="" type="checkbox"/> BUY: <input type="checkbox"/>	HAYES MANUFACTURING INC. ® PUMP MOUNT PLATE MATERIAL: 123008-BOR	TITLE: 123008-BO2 SHEET OF REV.
CLASS: PMP2 DESCRIPTION: SAE2,B2,1,PMP	DRAWN BY: SIETING CHECKED BY: RJH	DATE: 03-01-2010 SCALE:	DRAWING NO.: 123008-BO2 SHEET OF REV.	