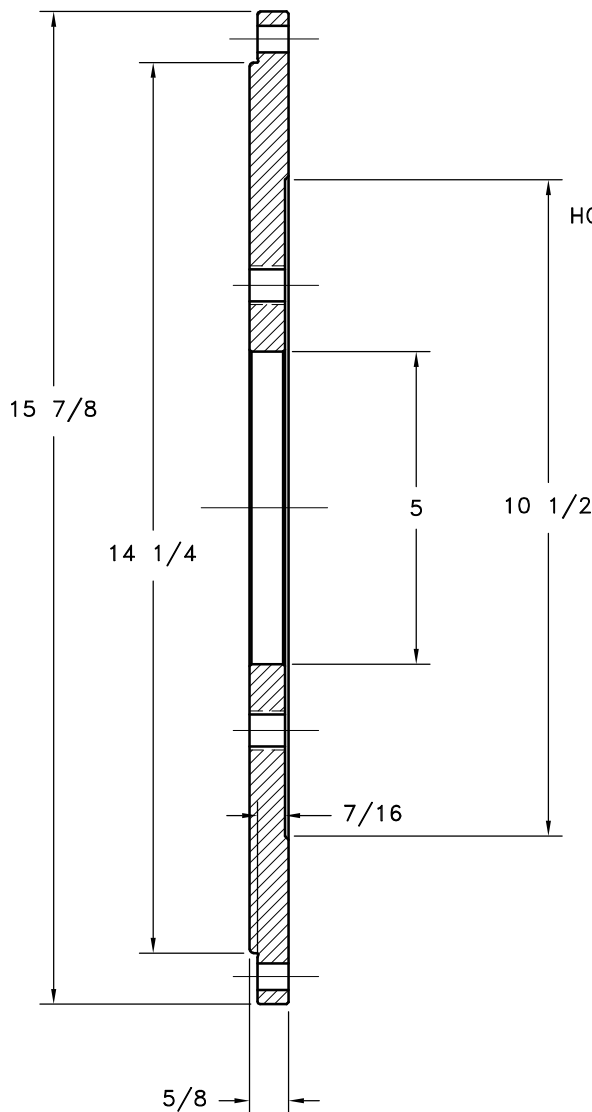
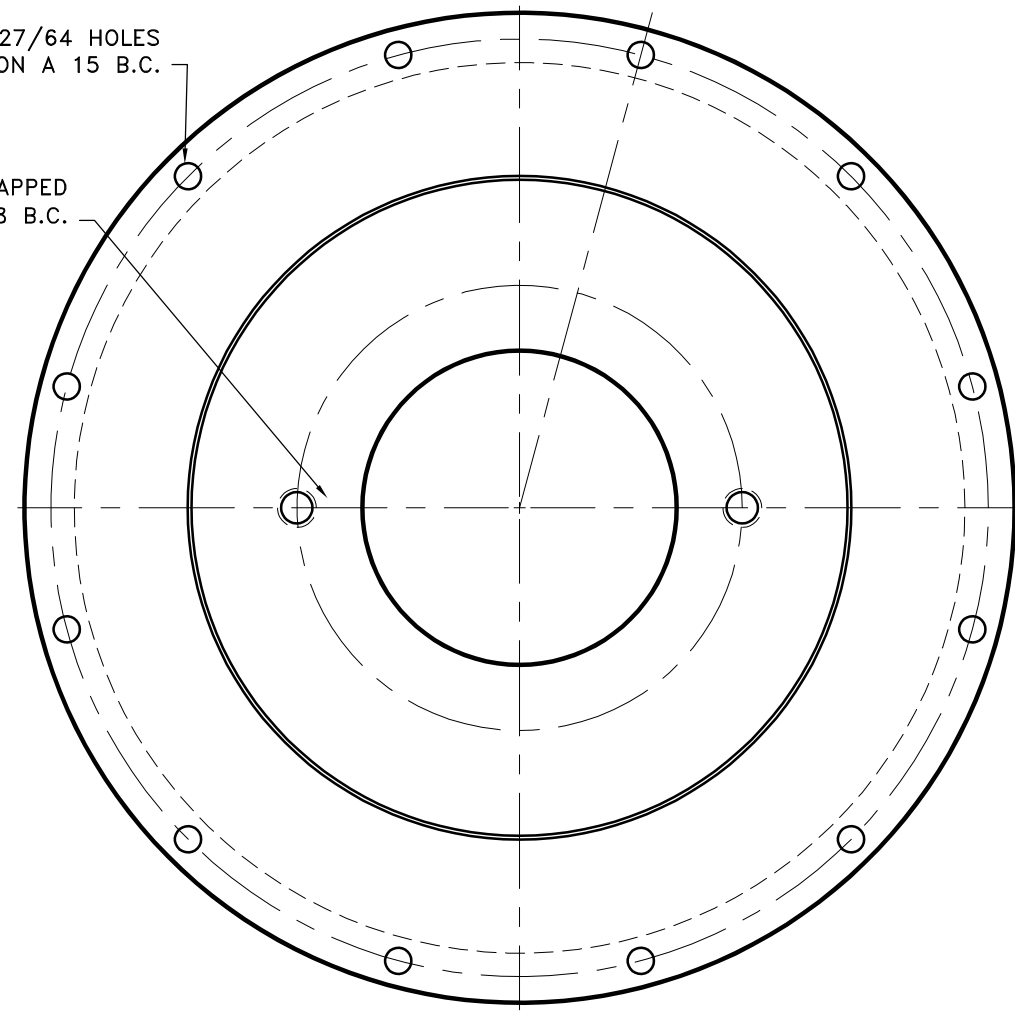


REV	DATE	CHANGE DESCRIPTION	MOD. BY	CK1	CK2



(12) 27/64 HOLES  
ON A 15 B.C.

(2) 5/8-11 TAPPED  
HOLES ON A 7 1/8 B.C.



THIS DRAWING IS THE PROPERTY OF HAYES MFG. INC. AND IS LOANED SUBJECT TO THE CONDITION THAT IT SHALL NOT BE REPRODUCED, COPIED, LOANED OR OTHERWISE DISPOSED OF, DIRECTLY OR INDIRECTLY. IT SHALL BE USED AS A MEANS OF REFERENCE TO WORK FURNISHED BY THIS COMPANY ONLY AND IS NOT TO BE SUBMITTED TO OUTSIDE PARTIES FOR EXAMINATION WITHOUT OUR CONSENT.

SYMBOLS		DET.	PART NUMBER	DESCRIPTION	QTY.
▭	FLATNESS	DO NOT SCALE		<b>HAYES</b> MANUFACTURING INC. ®	
—	STRAIGHTNESS	DRAWING			TITLE
∠	ANGULARITY	TOLERANCES UNLESS OTHERWISE SPECIFIED		MATERIAL	
⊥	SQUARENESS	125 MAXIMUM			
∥	PARALLELISM	ANGLE ±1/2°			
⊙	CONCENTRICITY	FRACTION ±1/32			
⊕	TRUE POSITION	DECIMAL			
⊖	ROUNDNESS	.00 ±.01			
⊘	CIRCULAR RUN OUT	.000 ±.005			
⊘	TOTAL RUN OUT	.0000 ±.0005			
⊘	CYLINDRICITY				
✓	FINISH				
- UNLESS OTHERWISE SPECIFIED -		REMOVE FIRST THREAD		DRAWN BY	DATE
		ON ALL TAPPED HOLES		SIETING	10-07-2009
		BREAK ALL SHARP CORNERS .010 TO .020		CHECKED BY	SCALE
		STAMP OR MARK DRAWING NO.		RJH	
				DRAWING NO.	
				123008-EX2	
				SHEET	OF
				REV.	