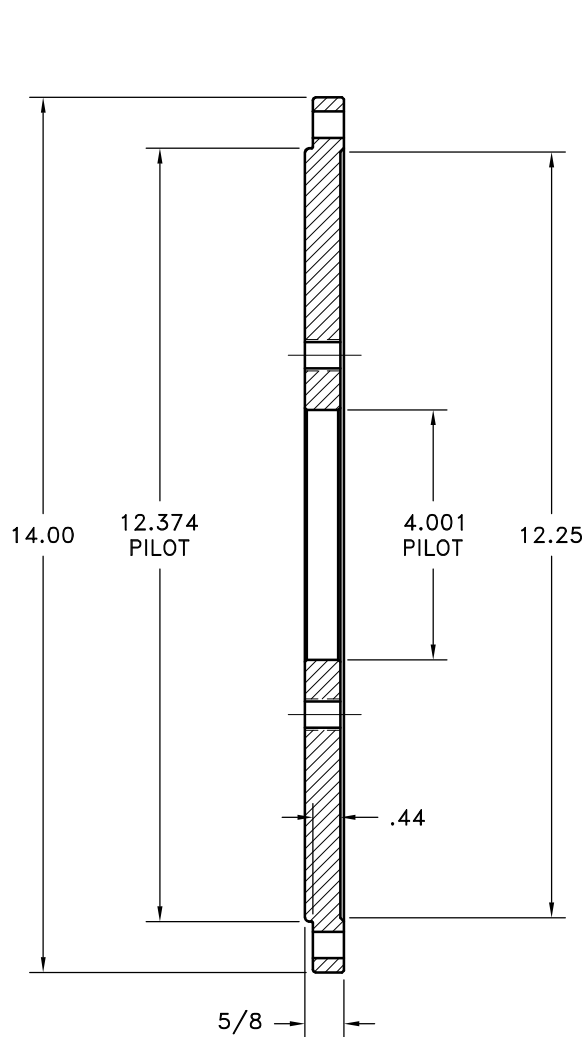
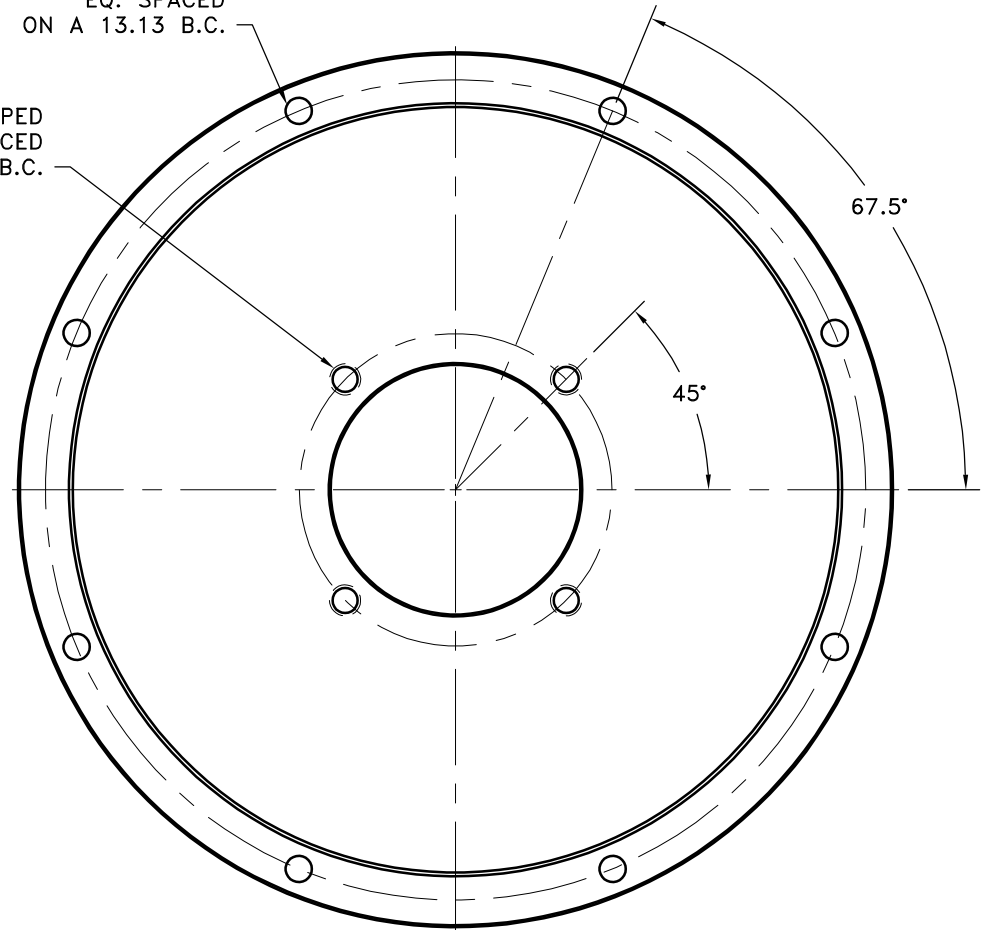


REV	DATE	CHANGE DESCRIPTION	MOD.BY	CK1	CK2



(8) 27/64 HOLES
EQ. SPACED
ON A 13.13 B.C.

(4) 1/2-13 TAPPED
HOLES EQ. SPACED
ON A 5.00 B.C.



THIS DRAWING IS THE PROPERTY OF HAYES MFG. INC. AND IS LOANED SUBJECT TO THE CONDITION THAT IT SHALL NOT BE REPRODUCED, COPIED, LOANED OR OTHERWISE DISPOSED OF, DIRECTLY OR INDIRECTLY. IT SHALL BE USED AS A MEANS OF REFERENCE TO WORK FURNISHED BY THIS COMPANY ONLY AND IS NOT TO BE SUBMITTED TO OUTSIDE PARTIES FOR EXAMINATION WITHOUT OUR CONSENT.

SYMBOLS	DET.	PART NUMBER	DESCRIPTION	QTY.
<ul style="list-style-type: none"> — FLATNESS — STRAIGHTNESS — ANGULARITY ⊥ PERPENDICULARITY ∥ PARALLELISM ⊙ CONCENTRICITY ⊕ TRUE POSITION ○ ROUNDNESS ⊘ CIRCULAR RUN OUT ⊖ TOTAL RUN OUT ⊘ CYLINDRICITY ✓ FINISH 	DO NOT SCALE DRAWING			
	TOLERANCES UNLESS OTHERWISE SPECIFIED			TITLE
	125 MAXIMUM		SAE 5, B 4 BOLT P.M.P.	
	ANGLE ±1/2°		MATERIAL	
	FRACTION ±1/32			
	DECIMAL		DRAWN BY	DATE
	.00 ±.01		SIETING	11-20-06
	.000 ±.005		CHECKED BY	SCALE
	.0000 ±.0005		RJH	
CLASS	MAKE: <input checked="" type="checkbox"/> BUY: <input type="checkbox"/>		DRAWING NO.	
PMP5			123008-GO4	
DESCRIPTION			SHEET	OF
SAE5,B4,.625,PMP			REV.	