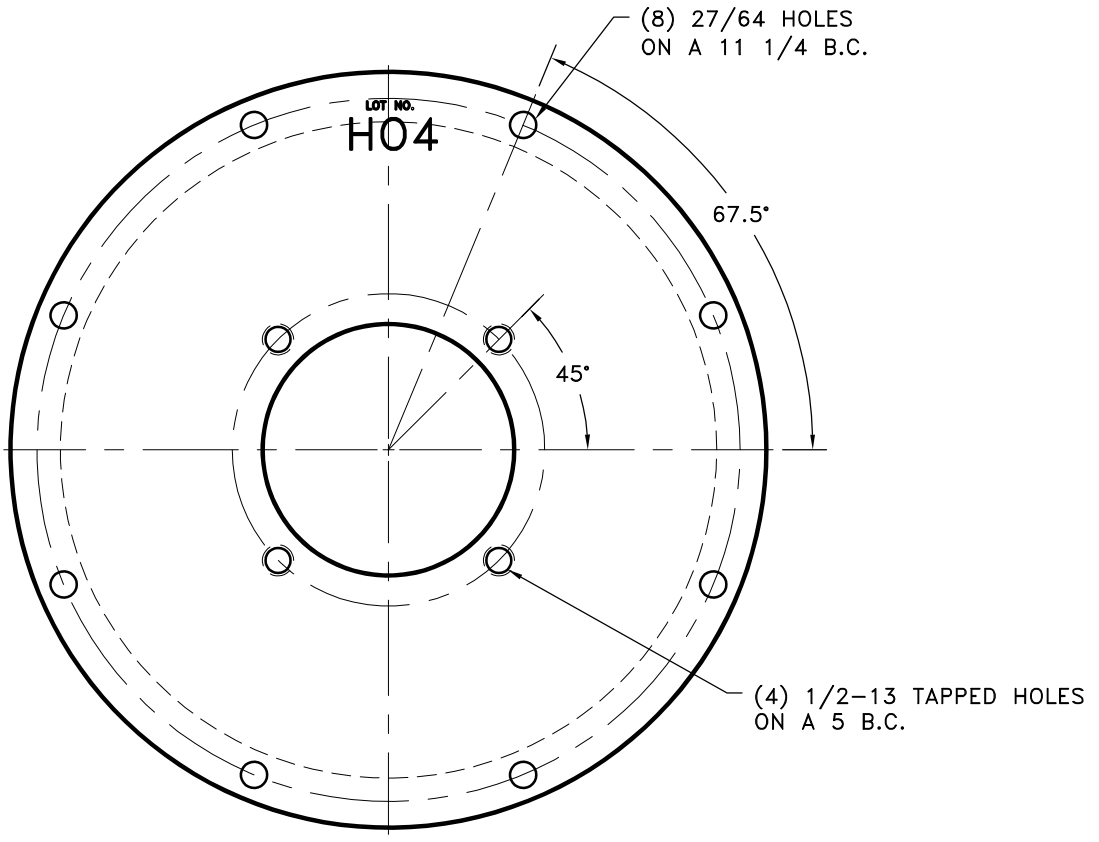
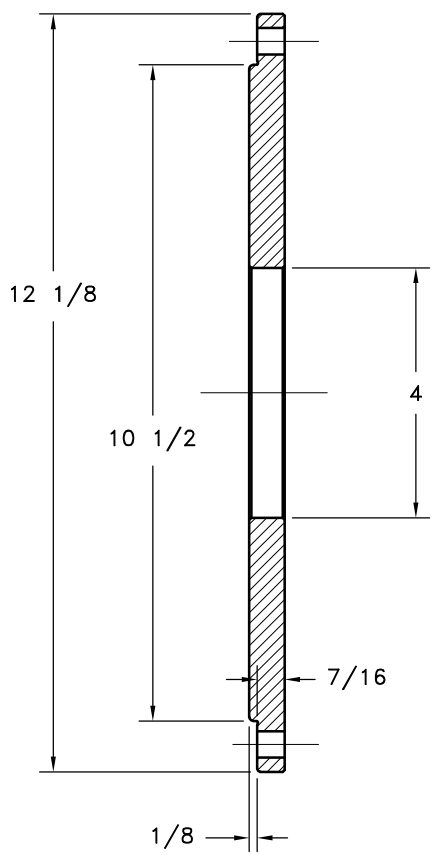


REV	DATE	CHANGE DESCRIPTION	MOD. BY	CK1	CK2



THIS DRAWING IS THE PROPERTY OF HAYES MFG. INC. AND IS LOANED SUBJECT TO THE CONDITION THAT IT SHALL NOT BE REPRODUCED, COPIED, LOANED OR OTHERWISE DISPOSED OF, DIRECTLY OR INDIRECTLY. IT SHALL BE USED AS A MEANS OF REFERENCE TO WORK FURNISHED BY THIS COMPANY ONLY AND IS NOT TO BE SUBMITTED TO OUTSIDE PARTIES FOR EXAMINATION WITHOUT OUR CONSENT.

SYMBOLS		DET.	PART NUMBER	DESCRIPTION	QTY.
—	FLATNESS	DO NOT SCALE		<b>HAYES</b> MANUFACTURING INC. ®	
—	STRAIGHTNESS	DRAWING			TITLE PUMP MOUNT PLATE
∠	ANGULARITY	TOLERANCES UNLESS OTHERWISE SPECIFIED		MATERIAL STEEL	
⊥	PERPENDICULARITY	125 MAXIMUM		CLASS PMP6	
∥	PARALLELISM	ANGLE ±1/2°	MAKE: <input checked="" type="checkbox"/> BUY: <input type="checkbox"/>	DESCRIPTION SAE6,B4,.57,PMP	
⊙	CONCENTRICITY	FRACTION ±1/32		DATE 03-09-2010	DRAWING NO. 123008-HO4
⊕	TRUE POSITION	DECIMAL		CHECKED BY	SHEET OF REV.
⊖	ROUNDNESS	.00 ±.01		SCALE	
⊘	CIRCULAR RUN OUT	.000 ±.005			
⊘	TOTAL RUN OUT	.0000 ±.0005			
⊘	CYLINDRICITY				
⊘	FINISH				