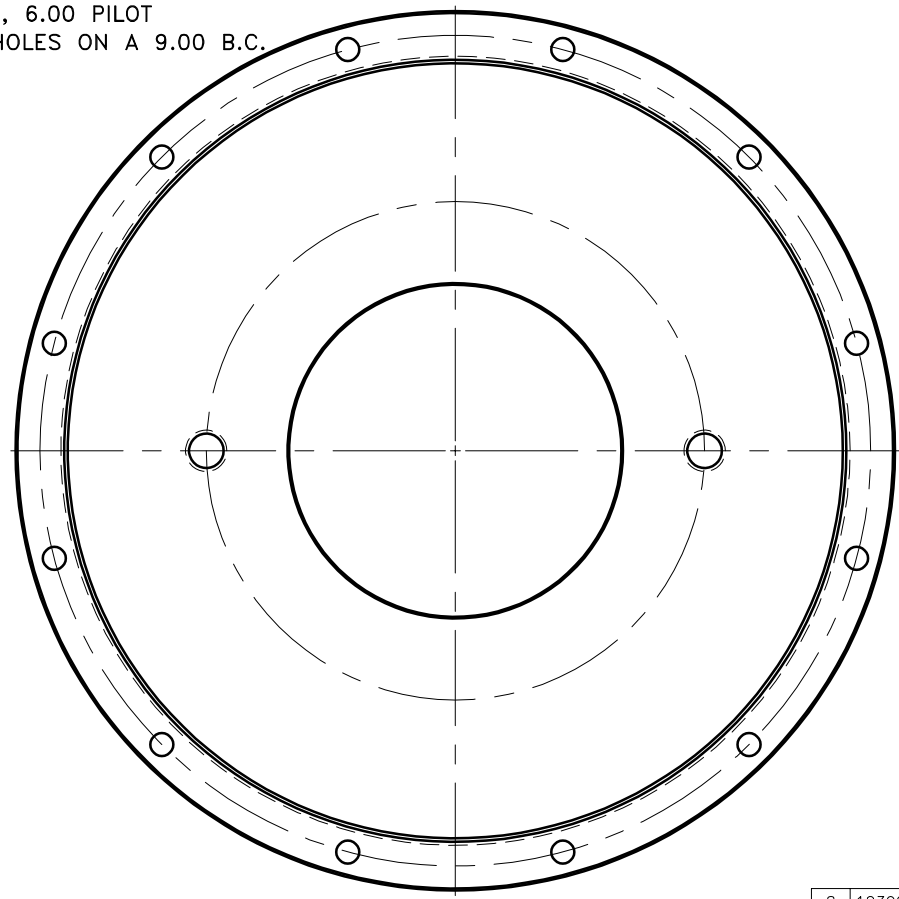
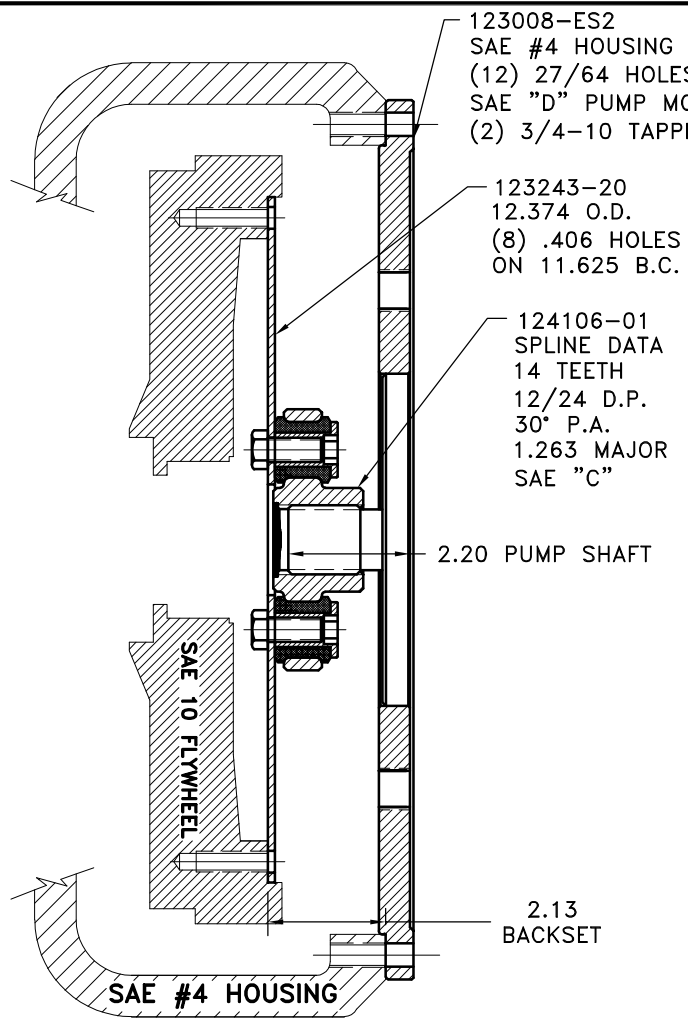


REV	DATE	CHANGE DESCRIPTION	MOD.BY	CK1	CK2
F	07/08/2009	CHANGED TO BOLTED INSERTS	ZS	HM	



COUPLING ASS'Y 123366

UP TO 65 H.P.

QTY.	PART NUMBER	DESCRIPTION
1	123008-ES2	PUMP MTG. PLATE
1	801912	GREASE
1	HP-1312-S-62	HUBBARD PLUG
6	HX200	7/16-20 x 1" HHB
6	123727	THREADED BUSHINGS
6	H62500	NEOPRENE INSERTS
1	124106-01	COUPLING HUB
1	123243-20	FLYWHEEL PLATE

SYMBOLS		DET.	PART NUMBER	DESCRIPTION	QTY.
	FLATNESS	DO NOT SCALE			
	STRAIGHTNESS	DRAWING			
	ANGULARITY	TOLERANCES UNLESS OTHERWISE SPECIFIED			
	PERPENDICULARITY	125 MAXIMUM			
	PARALLELISM	ANGLE ±1/2°			
	CONCENTRICITY	FRACTION ±1/32			
	TRUE POSITION	DECIMAL			
	ROUNDNESS	.00 ±.01			
	CIRCULAR RUN OUT	.000 ±.005			
	TOTAL RUN OUT	.0000 ±.0005			
	CYLINDRICITY				
	FINISH				

HAYES
MANUFACTURING INC. ®

TITLE
FLYWHEEL COUPLING ASS'Y & PUMP MOUNT PLATE

MATERIAL

CLASS SAE 10	MAKE: <input checked="" type="checkbox"/> BUY: <input type="checkbox"/>	DRAWN BY SIETING	DATE 7-18-89	DRAWING NO. 123043
DESCRIPTION 10,4,14T12/24,D2,65	CHECKED BY RJH	SCALE	SHEET OF REV.	

THIS DRAWING IS THE PROPERTY OF HAYES MFG. INC. AND IS LOANED SUBJECT TO THE CONDITION THAT IT SHALL NOT BE REPRODUCED, COPIED, LOANED OR OTHERWISE DISPOSED OF, DIRECTLY OR INDIRECTLY. IT SHALL BE USED AS A MEANS OF REFERENCE TO WORK FURNISHED BY THIS COMPANY ONLY AND IS NOT TO BE SUBMITTED TO OUTSIDE PARTIES FOR EXAMINATION WITHOUT OUR CONSENT.