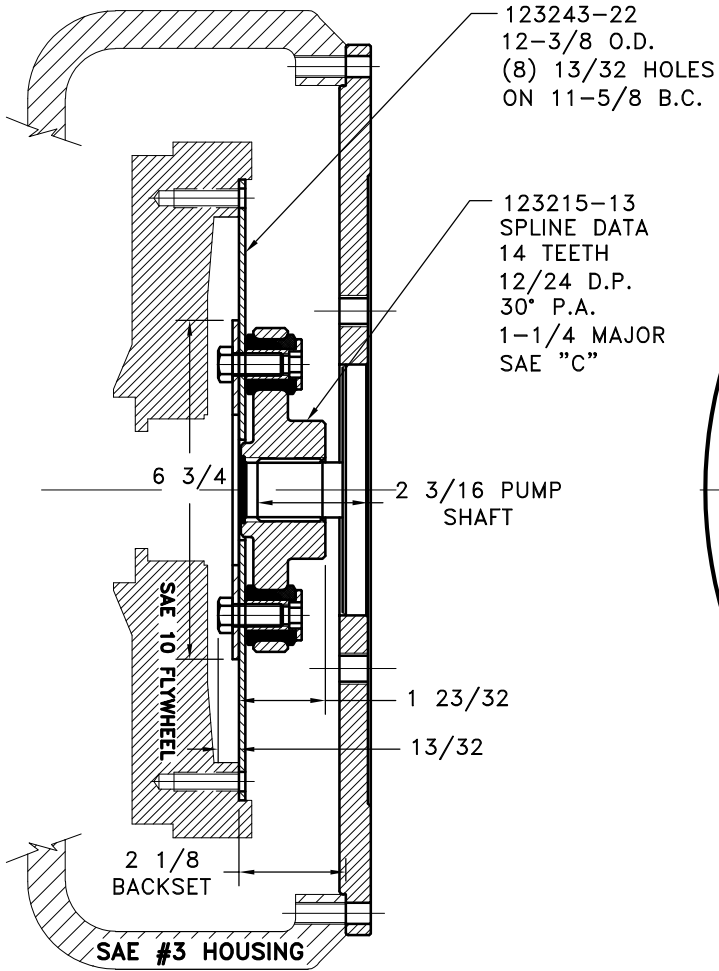
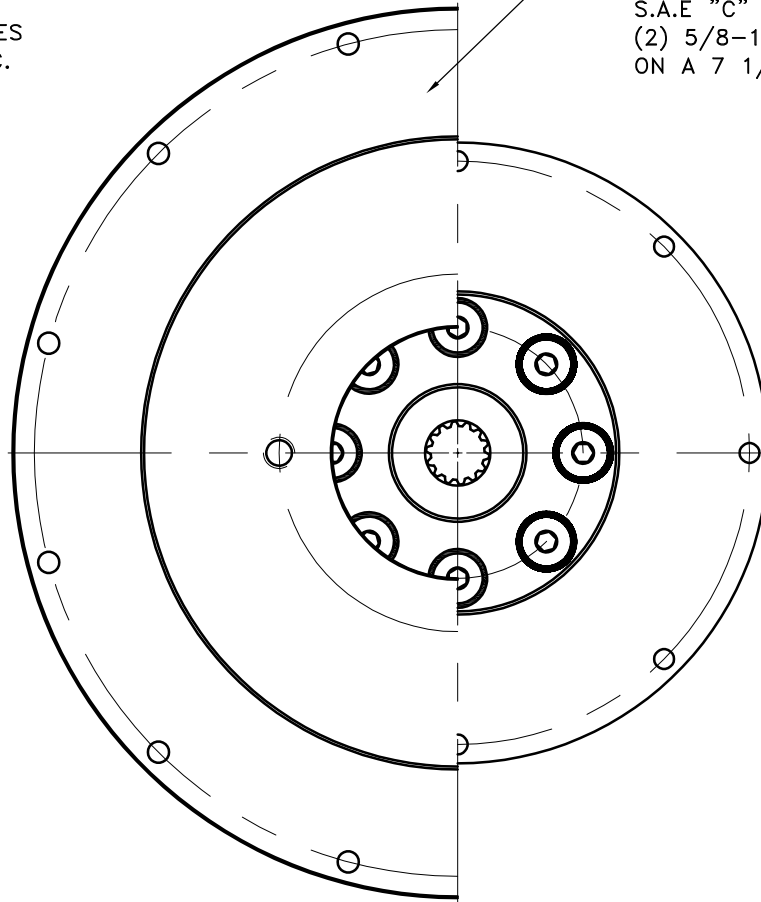


REV	DATE	CHANGE DESCRIPTION	MOD.BY	CK1	CK2
K	08/09/2018	CHANGED FWP TO 123243-22	ZS	JM	HM



123008-DX2
SAE 3 HOUSING MOUNT, 16 1/8 PILOT
(12) 27/64 HOLES ON 16 7/8 B.C.
S.A.E "C" PUMP MOUNT, 5 PILOT
(2) 5/8-11 TAPPED HOLES
ON A 7 1/8 B.C.



UP TO 150 HP

QTY.	DESCRIPTION	PART NUMBER
1	PUMP MOUNT PLATE	123008-DX2
1	GREASE	801912
1	HUBBARD PLUG	HP-1312-S-62
8	HHB 7/16-20x1	BOLT
8	THREADED BUSHING	123727
8	NEOPRENE INSERT	H62500
1	COUPLING HUB	123215-13
1	BACKING PLATE	124657-02
1	FLYWHEEL PLATE	123243-22

COUPLING ASS'Y
#123065

SYMBOLS	DET.	PART NUMBER	DESCRIPTION	QTY.
▱ FLATNESS — STRAIGHTNESS ∠ ANGULARITY ⊥ PERPENDICULARITY ∥ PARALLELISM ⊙ CONCENTRICITY ⊕ TRUE POSITION ○ ROUNDNESS Ⓢ CIRCULAR RUN OUT Ⓣ TOTAL RUN OUT Ⓜ CYLINDRICITY ✓ FINISH	DO NOT SCALE DRAWING TOLERANCES UNLESS OTHERWISE SPECIFIED 125 MAXIMUM ANGLE ±1/2° FRACTION ±1/32 DECIMAL .00 ±.01 .000 ±.005 .0000 ±.0005			
PUMP DRIVE KIT				
CLASS SAE 10		MAKE: <input checked="" type="checkbox"/> BUY: <input type="checkbox"/>	DRAWN BY SIETING	DATE 06-20-1989
DESCRIPTION 10,3,14T12/24,C2,150		CHECKED BY SCALE	DRAWING NO. 123064 SHEET OF REV.	

THIS DRAWING IS THE PROPERTY OF HAYES MFG. INC. AND IS LOANED SUBJECT TO THE CONDITION THAT IT SHALL NOT BE REPRODUCED, COPIED, LOANED OR OTHERWISE DISPOSED OF, DIRECTLY OR INDIRECTLY. IT SHALL BE USED AS A MEANS OF REFERENCE TO WORK FURNISHED BY THIS COMPANY ONLY AND IS NOT TO BE SUBMITTED TO OUTSIDE PARTIES FOR EXAMINATION WITHOUT OUR CONSENT.