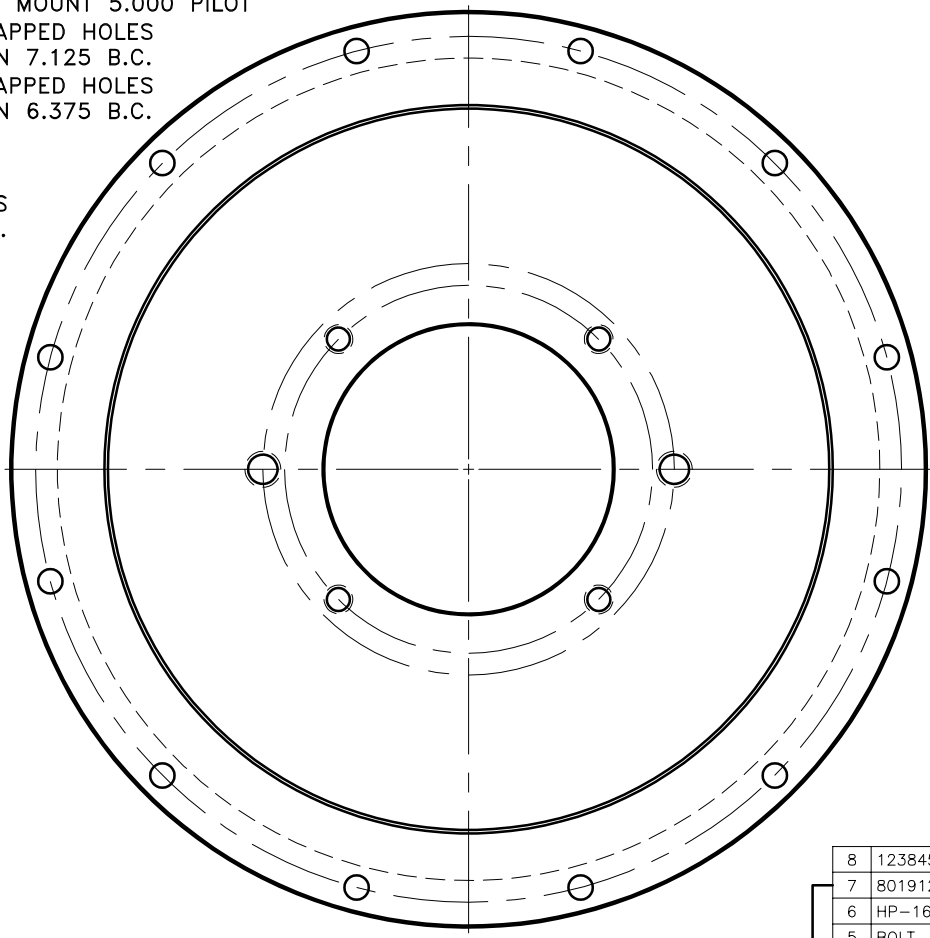
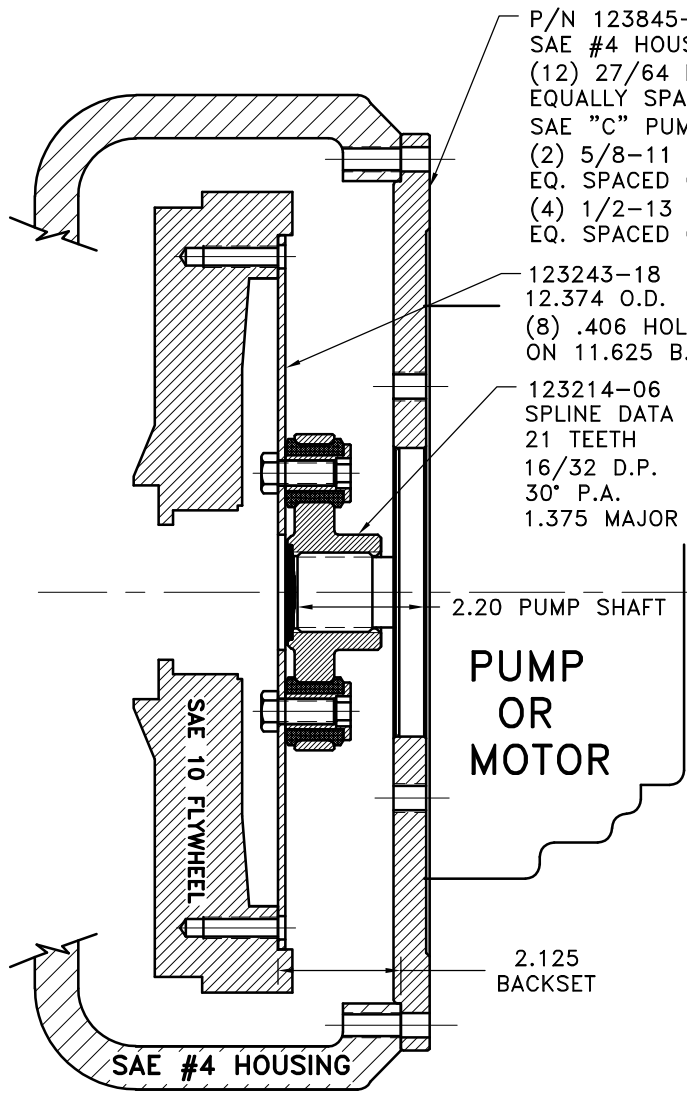


REV	DATE	CHANGE DESCRIPTION	MOD. BY	CK1	CK2
E	10/12/2006	CHANGED TO BOLTED INSERTS.	ZS	HM	RJH



COUPLING ASS'Y #123132

UP TO 110 HP

QTY.	DESCRIPTION	PART NUMBER	DET.
1	FLYWHEEL PLATE	123243-18	1
1	COUPLING HUB	123214-06	2
6	NEOPRENE INSERT	H62500	3
6	THREADED BUSHING	123727	4
1	GREASE PLUG	HP-1625-S-62	6
1	GREASE	801912	7
1	PUMP MOUNT PLATE	123845-09	8

SYMBOLS		DET.	PART NUMBER	DESCRIPTION	QTY.
	FLATNESS	DO NOT SCALE			
	STRAIGHTNESS	DRAWING			
	ANGULARITY	TOLERANCES UNLESS OTHERWISE SPECIFIED			
	PERPENDICULARITY	125 MAXIMUM			
	PARALLELISM	ANGLE ±1/2°			
	CONCENTRICITY	FRACTION ±1/32			
	TRUE POSITION	DECIMAL			
	ROUNDNESS	.00 ±.01			
	CIRCULAR RUN OUT	.000 ±.005			
	TOTAL RUN OUT	.0000 ±.0005			
	CYLINDRICITY				
	FINISH				

HAYES
MANUFACTURING INC. ®

TITLE FLYWHEEL COUPLING ASS'Y WITH PUMP MOUNT PLATE	
MATERIAL	
CLASS SAE 10	MAKE: <input checked="" type="checkbox"/> BUY: <input type="checkbox"/>
DESCRIPTION 10,4,21T16/32,C24,110	DRAWN BY SIETING
	DATE 08-07-89
	CHECKED BY RJH
	SCALE
	DRAWING NO. 123121
	SHEET OF REV.

THIS DRAWING IS THE PROPERTY OF HAYES MFG. INC. AND IS LOANED SUBJECT TO THE CONDITION THAT IT SHALL NOT BE REPRODUCED, COPIED, LOANED OR OTHERWISE DISPOSED OF, DIRECTLY OR INDIRECTLY. IT SHALL BE USED AS A MEANS OF REFERENCE TO WORK FURNISHED BY THIS COMPANY ONLY AND IS NOT TO BE SUBMITTED TO OUTSIDE PARTIES FOR EXAMINATION WITHOUT OUR CONSENT.