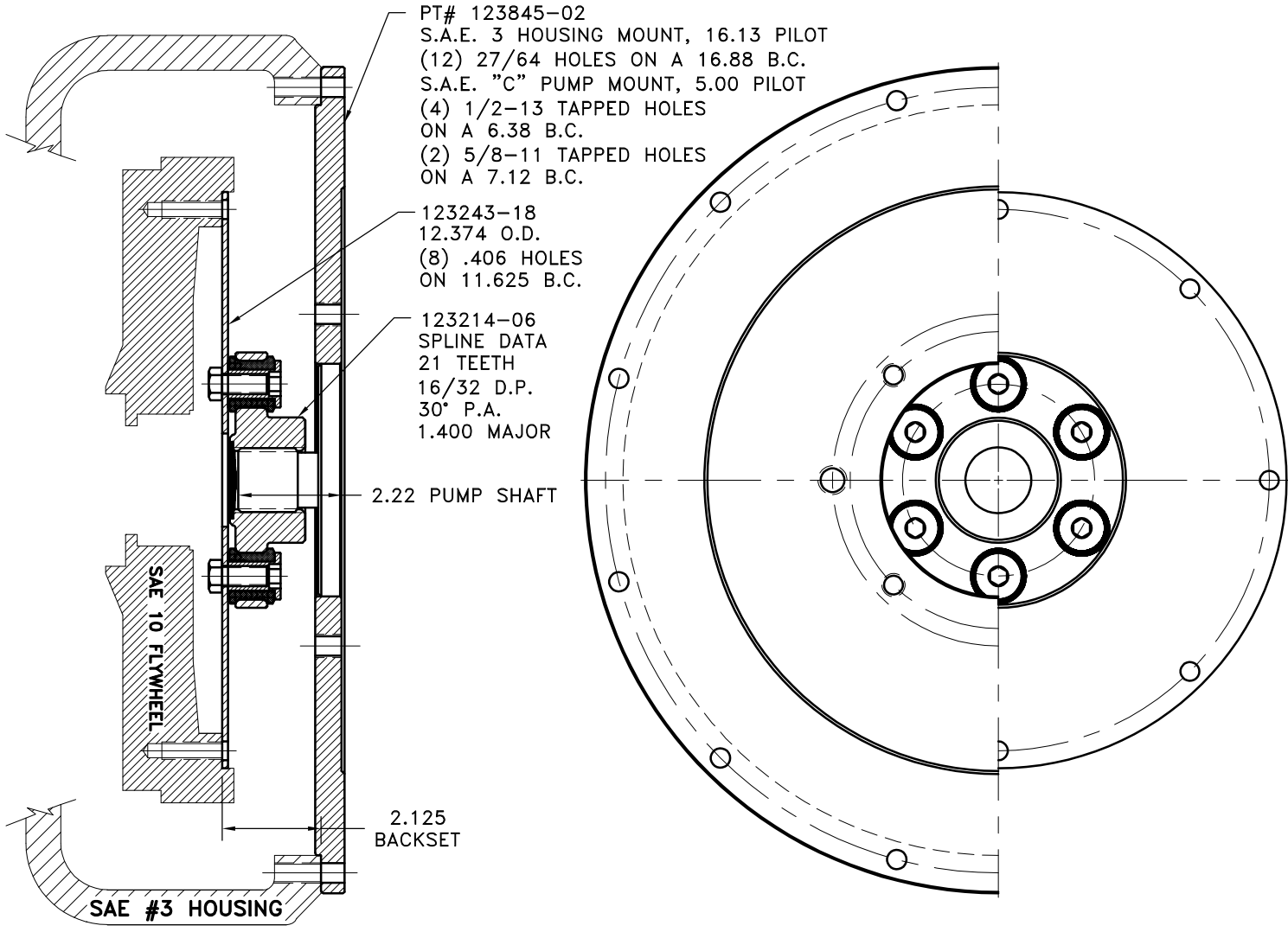


| REV | DATE       | CHANGE DESCRIPTION         | MOD. BY | CK1 | CK2 |
|-----|------------|----------------------------|---------|-----|-----|
| F   | 09/29/2010 | CHANGED TO BOLTED INSERTS. | ZS      | HM  | JM  |



PT# 123845-02  
 S.A.E. 3 HOUSING MOUNT, 16.13 PILOT  
 (12) 27/64 HOLES ON A 16.88 B.C.  
 S.A.E. "C" PUMP MOUNT, 5.00 PILOT  
 (4) 1/2-13 TAPPED HOLES  
 ON A 6.38 B.C.  
 (2) 5/8-11 TAPPED HOLES  
 ON A 7.12 B.C.

123243-18  
 12.374 O.D.  
 (8) .406 HOLES  
 ON 11.625 B.C.

123214-06  
 SPLINE DATA  
 21 TEETH  
 16/32 D.P.  
 30° P.A.  
 1.400 MAJOR

2.22 PUMP SHAFT

2.125  
 BACKSET

APPLY SUPPLIED COUPLING GREASE  
 TO INTERNAL AND EXTERNAL SPLINE  
 AT ASSEMBLY

COUPLING ASS'Y #123132

UP TO 110 HP

| QTY. | PART NUMBER  | DESCRIPTION      |
|------|--------------|------------------|
| 1    | 123845-02    | PUMP MOUNT PLATE |
| 1    | 801912       | GREASE           |
| 1    | HP-1625-S-62 | HUBBARD PLUG     |
| 6    | BOLT         | 7/16-20x1 HHB    |
| 6    | 123727       | THREADED BUSHING |
| 6    | H62500       | NEOPRENE INSERT  |
| 1    | 123214-06    | COUPLING HUB     |
| 1    | 123243-18    | FLYWHEEL PLATE   |

| SYMBOLS   | DET.   | PART NUMBER | DESCRIPTION  | QTY.          |
|---|--|-------------|--|---------------|
| ▭ FLATNESS<br>▭ STRAIGHTNESS<br>▭ ANGULARITY<br>⊥ PERPENDICULARITY<br>∥ PARALLELISM<br>⊙ CONCENTRICITY<br>⊕ TRUE POSITION<br>○ ROUNDNESS<br>Ⓢ CIRCULAR RUN OUT<br>Ⓣ TOTAL RUN OUT<br>Ⓢ CYLINDRICITY<br>✓ FINISH | DO NOT SCALE DRAWING   |             |  |               |
|   | TOLERANCES UNLESS OTHERWISE SPECIFIED<br>125 MAXIMUM<br>ANGLE ±1/2°<br>FRACTION ±1/32<br>DECIMAL<br>.00 ±.01<br>.000 ±.005<br>.0000 ±.0005 |             | <b>HAYES</b><br>MANUFACTURING INC. ®<br>TITLE<br>FLYWHEEL COUPLING ASS'Y WITH PUMP MOUNT PLATE<br>MATERIAL |               |
| CLASS   | MAKE: <input checked="" type="checkbox"/> BUY: <input type="checkbox"/>  | DRAWN BY    | DATE   | DRAWING NO.   |
| SAE 10  |  | SIETING     | 08-08-1989   | 123123        |
| DESCRIPTION   |  | CHECKED BY  | SCALE  | SHEET OF REV. |
| 10,3,21T16/32,C24,110   |  | RJH         |  | 1 OF 1        |

THIS DRAWING IS THE PROPERTY OF HAYES MFG. INC. AND IS LOANED SUBJECT TO THE CONDITION THAT IT SHALL NOT BE REPRODUCED, COPIED, LOANED OR OTHERWISE DISPOSED OF, DIRECTLY OR INDIRECTLY. IT SHALL BE USED AS A MEANS OF REFERENCE TO WORK FURNISHED BY THIS COMPANY ONLY AND IS NOT TO BE SUBMITTED TO OUTSIDE PARTIES FOR EXAMINATION WITHOUT OUR CONSENT.