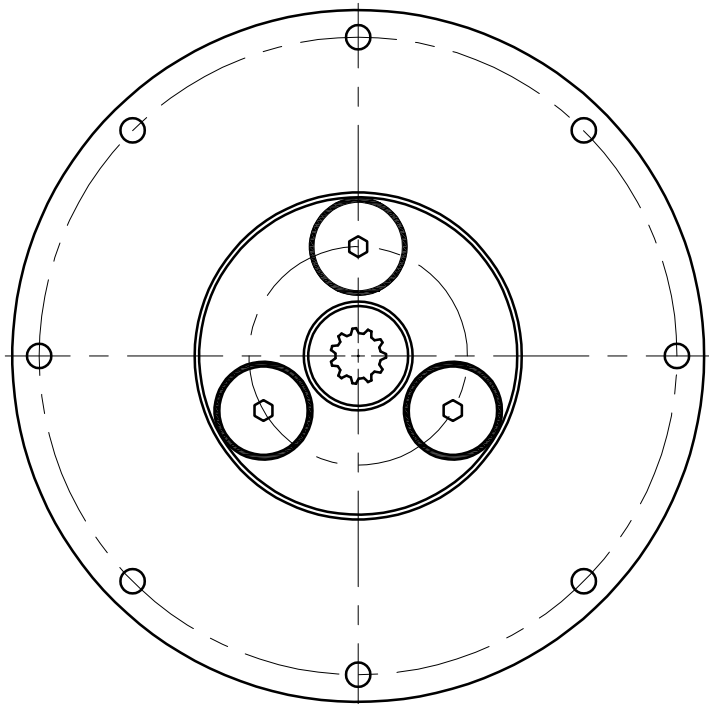
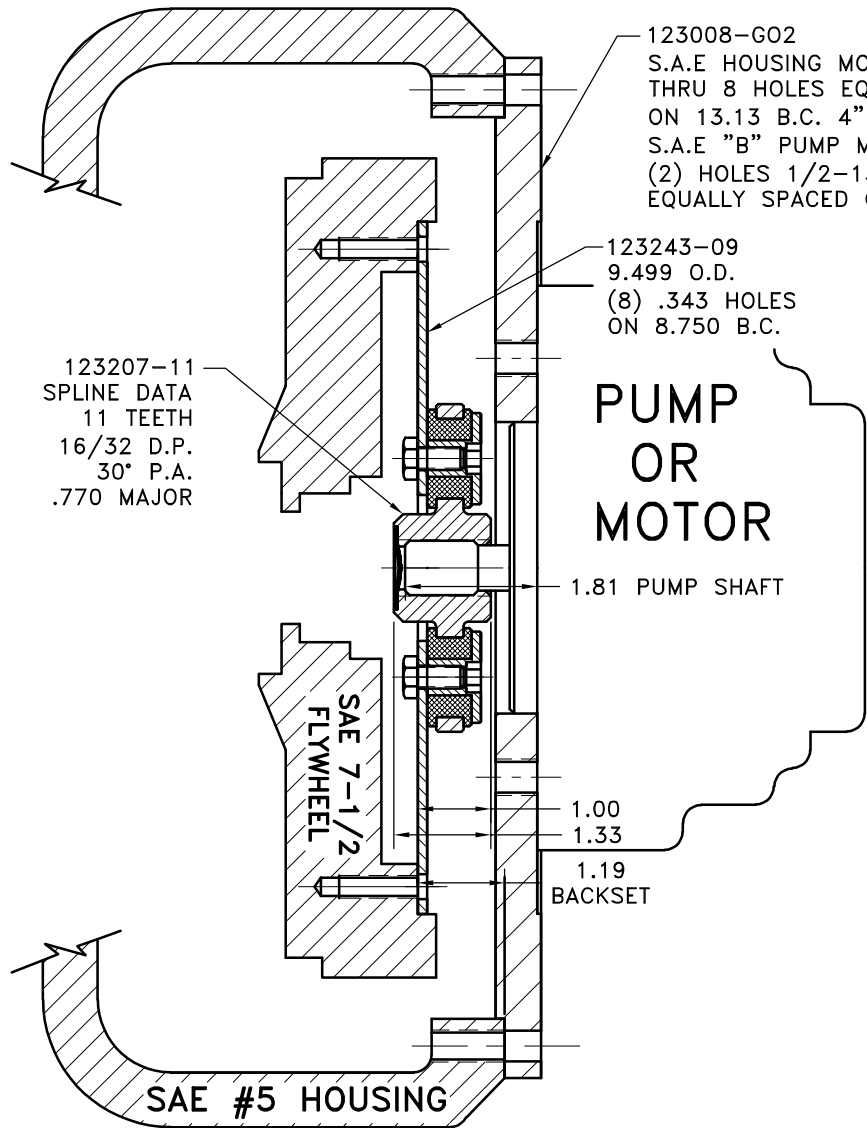


REV	DATE	CHANGE DESCRIPTION	MOD.BY	CK1	CK2
E	09/01/2000	CHANGED TO BOLTED	HAVEMAN		



UP TO 20 HP

COUPLING ASS'Y
#123322

QTY.	DESCRIPTION	PART NUMBER
1	PUMP MOUNT PLATE [5]	123008-G02
1	GREASE	801912
1	HUBBARD PLUG	HP-1125-S-32
3	5/16-24x5/8 H.H.B.	BOLT
3	THREADED BUSHING	123729-01
3	NEOPRENE INSERT	H52500
1	COUPLING HUB [11 16/32\3.000]	123207-11
1	FLYWHEEL PLATE [7.5\3.000]	123243-09

SYMBOLS		DET.	PART NUMBER	DESCRIPTION	QTY.
	FLATNESS	DO NOT SCALE			
	STRAIGHTNESS	DRAWING			
	ANGULARITY	TOLERANCES UNLESS OTHERWISE SPECIFIED			
	PERPENDICULARITY	125 MAXIMUM			
	PARALLELISM	ANGLE ±1/2°			
	CONCENTRICITY	FRACTION ±1/32			
	TRUE POSITION	DECIMAL			
	ROUNDNESS	.00 ±.01			
	CIRCULAR RUN OUT	.000 ±.005			
	TOTAL RUN OUT	.0000 ±.0005			
	CYLINDRICITY				
	FINISH				

HAYES
MANUFACTURING INC. ®

TITLE
FLYWHEEL COUPLING ASS'Y

MATERIAL

CLASS SAE 7.5	MAKE: <input checked="" type="checkbox"/> BUY: <input type="checkbox"/>	DRAWN BY HAVEMAN	DATE 9-12-89	DRAWING NO. 123321
DESCRIPTION 7-1/2,5,11T16/32,B2,20	CHECKED BY RJH	SCALE	SHEET OF	REV.

THIS DRAWING IS THE PROPERTY OF HAYES MFG. INC. AND IS LOANED SUBJECT TO THE CONDITION THAT IT SHALL NOT BE REPRODUCED, COPIED, LOANED OR OTHERWISE DISPOSED OF, DIRECTLY OR INDIRECTLY. IT SHALL BE USED AS A MEANS OF REFERENCE TO WORK FURNISHED BY THIS COMPANY ONLY AND IS NOT TO BE SUBMITTED TO OUTSIDE PARTIES FOR EXAMINATION WITHOUT OUR CONSENT.