

| REV | DATE       | CHANGE DESCRIPTION              | MOD.BY | CK1 | CK2 |
|-----|------------|---------------------------------|--------|-----|-----|
| G1  | 06/22/2010 | UPDATED TO CURRENT TITLE BLOCKS | PB     | RJH | JM  |

PT# 123008-EX2  
 S.A.E. HOUSING MOUNT 27/64 DRILL THRU  
 12 HOLES EQUALLY SPACED ON 15.00 B.C.  
 5" PUMP PILOT S.A.E. "C" PUMP MOUNT.  
 (2) 5/8-11 TAPPED HOLES EQUALLY  
 SPACED ON 7.125 B.C.

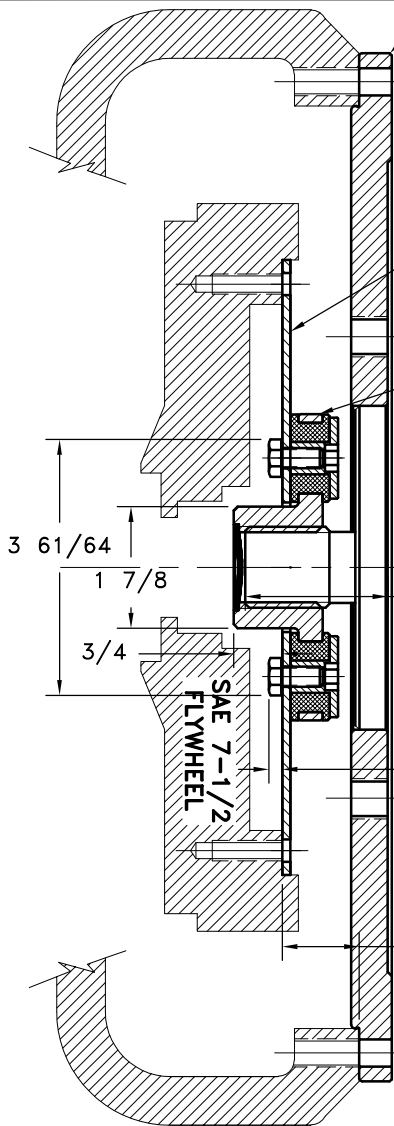
123243-08  
 9.499 O.D.  
 (8) .343 HOLES  
 ON 8.750 B.C.

124732-01  
 SPLINE DATA  
 14 TEETH  
 12/24 D.P.  
 30° P.A.  
 1.263 MAJOR  
 SAE "C"

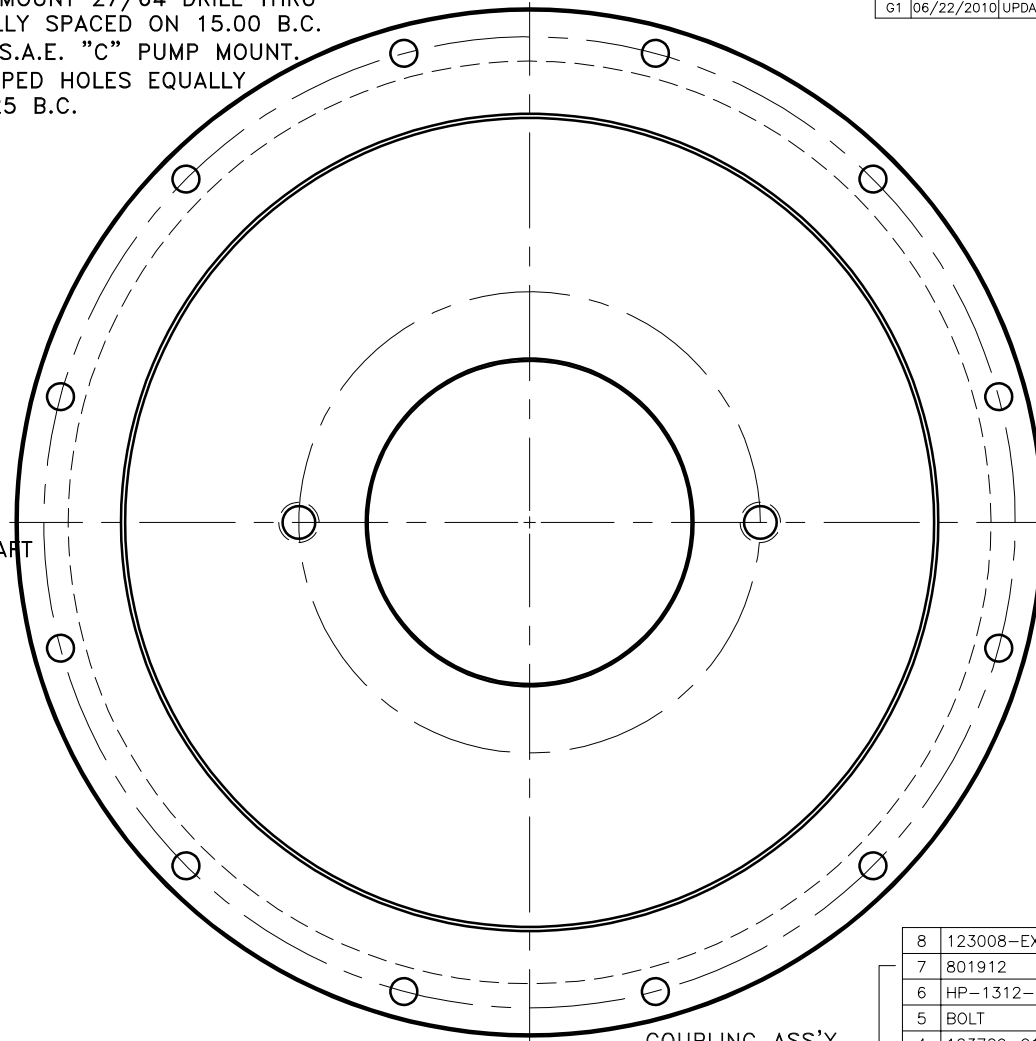
2 13/64 PUMP SHAFT

13/64

1 3/16  
 BACKSET



SAE #4 HOUSING



COUPLING ASS'Y  
 #123055

UP TO 60 HP

| QTY. | DESCRIPTION              | PART NUMBER  | DET. |
|------|--------------------------|--------------|------|
| 1    | FLYWHEEL PLATE           | 123243-08    | 1    |
| 1    | COUPLING HUB             | 124732-01    | 2    |
| 6    | NEOPRENE INSERT          | H52500       | 3    |
| 6    | THREADED BUSHING         | 123729-01    | 4    |
| 1    | 5/16-24x5/8 HHB Y D BOLT | HP-1312-S-62 | 5    |
| 1    | HUBBARD PLUG             | 801912       | 7    |
| 1    | PUMP MOUNT PLATE         | 123008-EX2   | 8    |

COUPLING ASS'Y #123055 ~ 4.86 LBS.  
 ASS'Y #123359 ~ 33.86 LBS.  
 INERTIA ~ .08797 IN-LB-SEC<sup>2</sup>  
 TORSIONAL WINDUP ~ 142 FT.LBS. 2" WINDUP

| SYMBOLS     |                  | DET.                                      | PART NUMBER                   | DESCRIPTION   | QTY. |
|-------------|------------------|---|-------------------------------|---------------|------|
|             | FLATNESS         | DO NOT SCALE                              |                               |               |      |
|             | STRAIGHTNESS     | DRAWING                                   |                               |               |      |
|             | ANGULARITY       | TOLERANCES UNLESS OTHERWISE SPECIFIED     |                               |               |      |
|             | PERPENDICULARITY | 125 MAXIMUM                               |                               |               |      |
|             | PARALLELISM      | ANGLE ±1/2°                               |                               |               |      |
|             | CONCENTRICITY    | FRACTION ±1/32                            |                               |               |      |
|             | TRUE POSITION    | DECIMAL                                   |                               |               |      |
|             | ROUNDNESS        | .00 ±.01                                  |                               |               |      |
|             | CIRCULAR RUN OUT | .000 ±.005                                |                               |               |      |
|             | TOTAL RUN OUT    | .0000 ±.0005                              |                               |               |      |
|             | CYLINDRICITY     |   |                               |               |      |
|             | FINISH           |   |                               |               |      |
| CLASS       |                  | MAKE: <input checked="" type="checkbox"/> | BUY: <input type="checkbox"/> | DRAWN BY      |      |
| SAE 7.5     |                  |   |                               | DATE          |      |
| DESCRIPTION |                  | 7-1/2,4,14T12/24,C2,60                    |                               | HAYEMAN       |      |
|             |                  |   |                               | 5-24-89       |      |
|             |                  |   |                               | SCALE         |      |
|             |                  |   |                               | DRAWING NO.   |      |
|             |                  |   |                               | 123359        |      |
|             |                  |   |                               | SHEET OF REV. |      |
|             |                  |   |                               | 1             |      |



TITLE  
 FLYWHEEL COUPLING ASS'Y WITH PUMP MOUNT PLATE

MATERIAL

THIS DRAWING IS THE PROPERTY OF HAYES MFG. INC. AND IS LOANED SUBJECT TO THE CONDITION THAT IT SHALL NOT BE REPRODUCED, COPIED, LOANED OR OTHERWISE DISPOSED OF, DIRECTLY OR INDIRECTLY. IT SHALL BE USED AS A MEANS OF REFERENCE TO WORK FURNISHED BY THIS COMPANY ONLY AND IS NOT TO BE SUBMITTED TO OUTSIDE PARTIES FOR EXAMINATION WITHOUT OUR CONSENT.