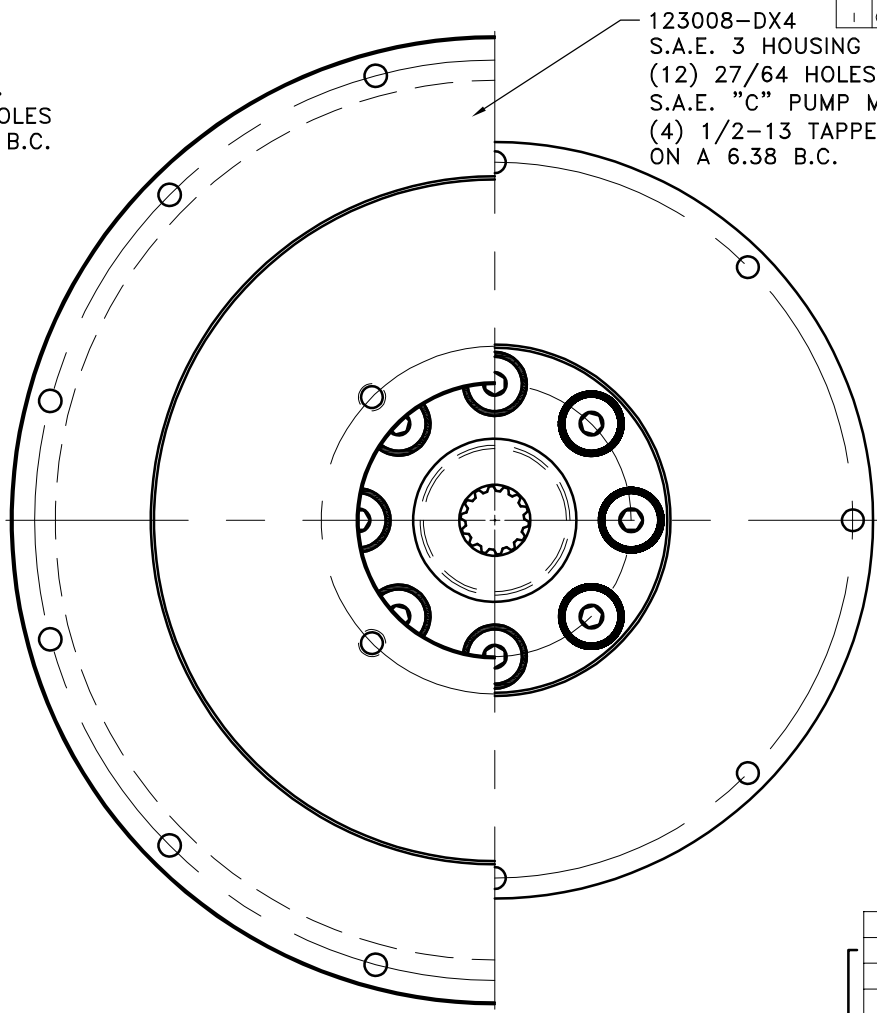
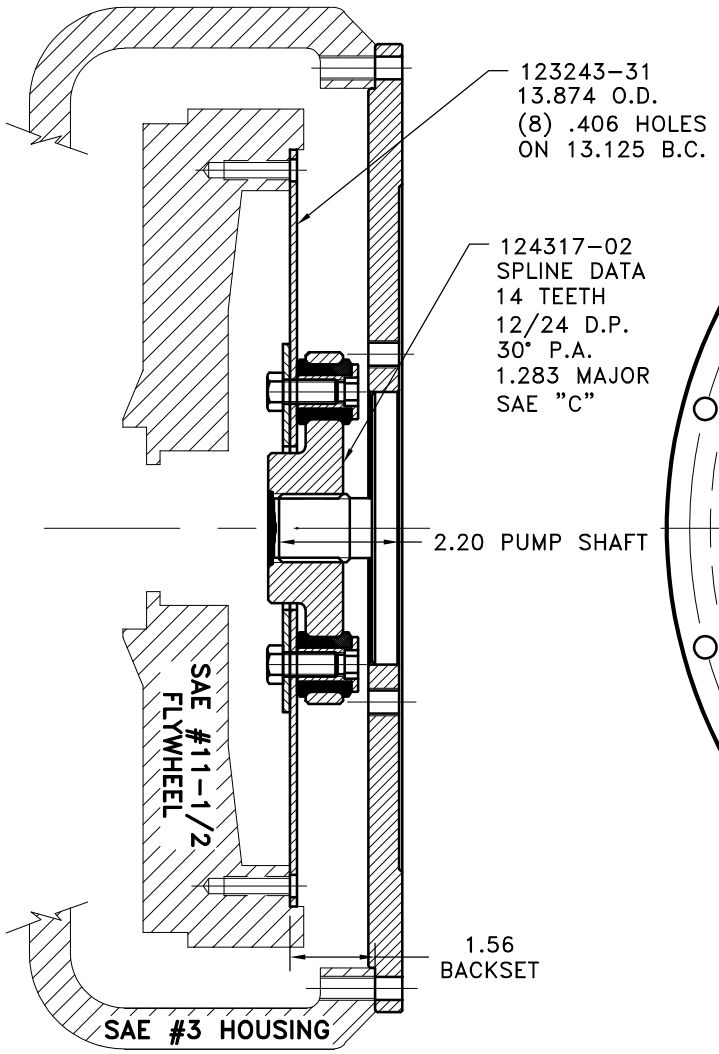


REV	DATE	CHANGE DESCRIPTION	MOD.BY	CK1	CK2
I	09/28/2011	ADDED BACKING PLATE	ZS	RJH	JM



COUPLING ASS'Y
#123735

UP TO 150 HP

QTY.	DESCRIPTION	PART NUMBER
1	FLYWHEEL PLATE	123243-31
1	BACKING PLATE	124657-02
1	COUPLING HUB	124317-02
8	NEOPRENE INSERT	H62500
8	THREADED BUSHING	123727
8	7/16-20x1 HHB Y D BOLT	BOLT
1	HUBBARD PLUG	HP-1312-S-62
1	GREASE	801912
1	PUMP MOUNT PLATE	123008-DX4

SYMBOLS	DET.	PART NUMBER	DESCRIPTION	QTY.
▽ FLATNESS — STRAIGHTNESS ∠ ANGULARITY ⊥ PERPENDICULARITY ∥ PARALLELISM ⊙ CONCENTRICITY ⊕ TRUE POSITION ○ ROUNDNESS ⊖ CIRCULAR RUN OUT ⊖ TOTAL RUN OUT Ⓢ CYLINDRICITY ✓ FINISH	DO NOT SCALE DRAWING TOLERANCES UNLESS OTHERWISE SPECIFIED .125 MAXIMUM ANGLE ±1/2° FRACTION ±1/32 DECIMAL .00 ±.01 .000 ±.005 .0000 ±.0005			
CLASS SAE 11.5		MAKE: <input checked="" type="checkbox"/> BUY: <input type="checkbox"/>		DRAWN BY SIETING
DESCRIPTION 11-1/2,3,14T12/24,C4,150		DATE 4-22-90		DRAWING NO. 123497
		CHECKED BY SCALE		SHEET OF REV.

THIS DRAWING IS THE PROPERTY OF HAYES MFG. INC. AND IS LOANED SUBJECT TO THE CONDITION THAT IT SHALL NOT BE REPRODUCED, COPIED, LOANED OR OTHERWISE DISPOSED OF, DIRECTLY OR INDIRECTLY. IT SHALL BE USED AS A MEANS OF REFERENCE TO WORK FURNISHED BY THIS COMPANY ONLY AND IS NOT TO BE SUBMITTED TO OUTSIDE PARTIES FOR EXAMINATION WITHOUT OUR CONSENT.