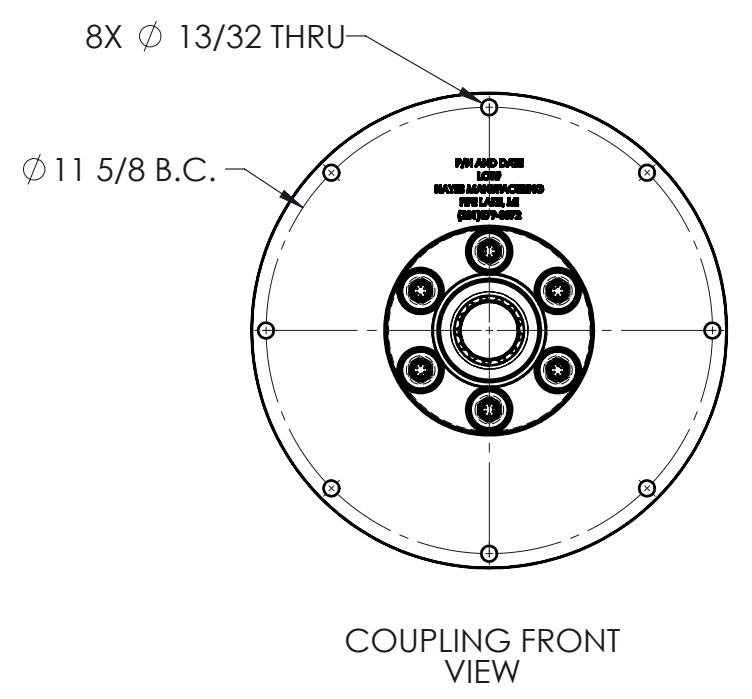
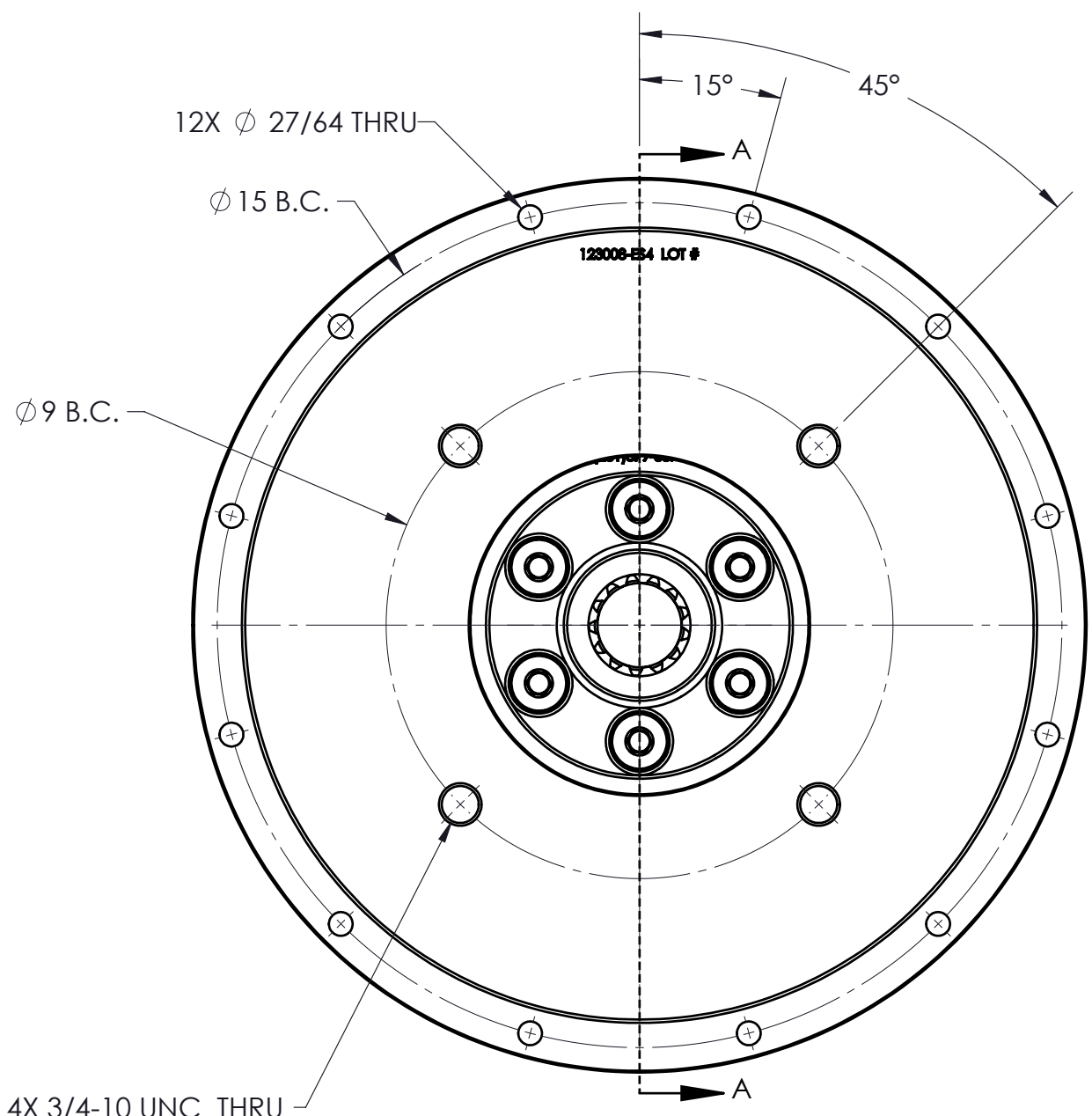
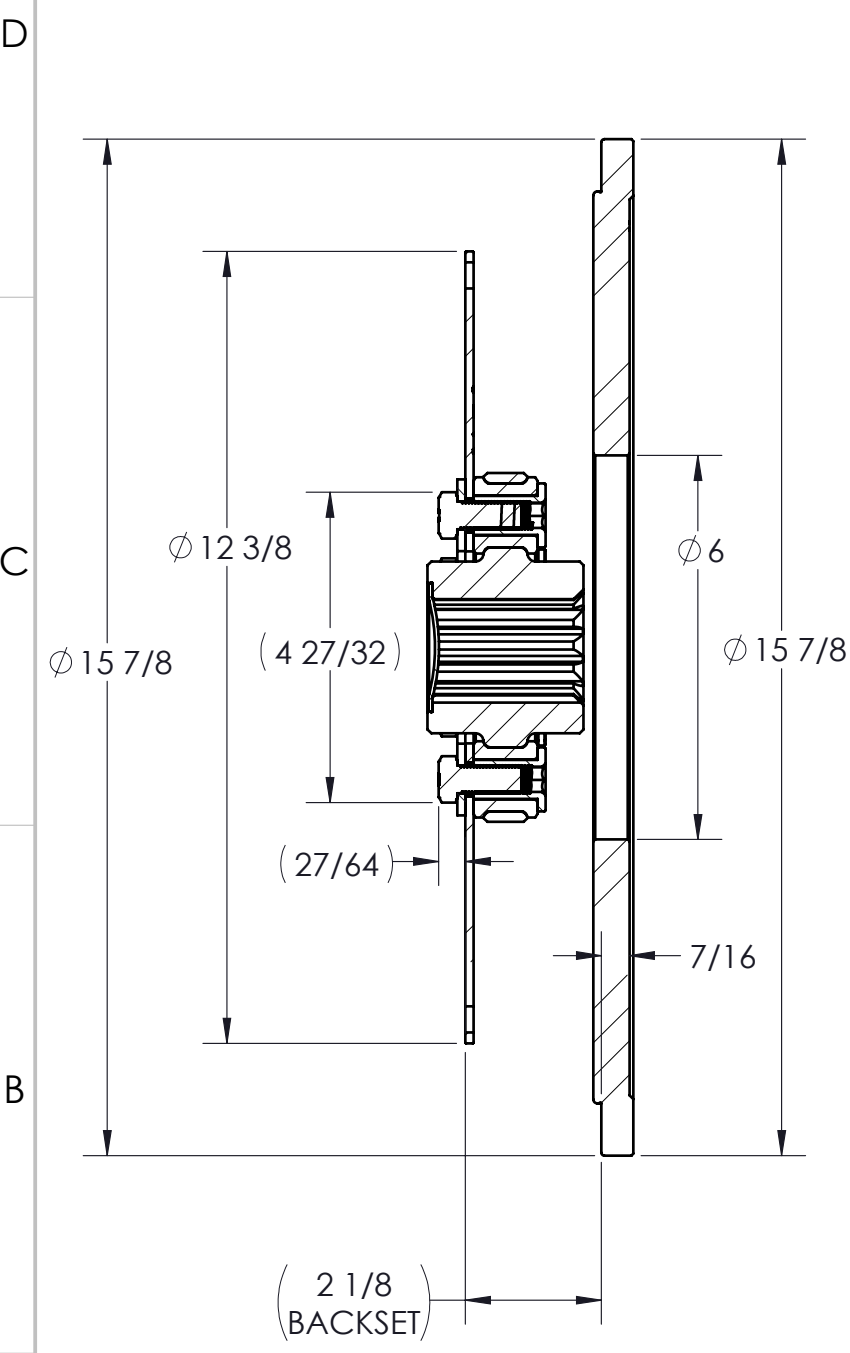


CUSTOMER DRAWING

REVISIONS					
ZONE	REV.	DESCRIPTION	DATE	APR 1	APR 2
3-B2, 4-B2	J	UPDATED TO PILOTED BUSHINGS; RELEASED IN SW	8/7/2023	ZS	



COUPLING IS NOT SERVICABLE

PUMP DRIVE SPECS	
FLYWHEEL	SAE 10
HOUSING	SAE 4
PUMP FLANGE	SAE D 4-BOLT
PUMP SHAFT	13T 8/16 "D-E"
HP RATING (@1800 RPM)	120

PROPRIETARY AND CONFIDENTIAL
THE INFORMATION CONTAINED IN THIS DRAWING IS THE SOLE PROPERTY OF HAYES MANUFACTURING. ANY REPRODUCTION IN PART OR AS A WHOLE WITHOUT THE WRITTEN PERMISSION OF HAYES MANUFACTURING IS PROHIBITED.

UNLESS OTHERWISE SPECIFIED: DIMENSIONS ARE IN INCHES TOLERANCES: FRACTIONAL: ±1/32 ANGULAR: MACH ±1/2° TWO DECIMAL ±.01 THREE DECIMAL ±.005 FOUR DECIMAL ±.0005		SYMBOLS FLATNESS ROUNDNESS PARALLELISM DIAMETER "R" RADIUS CONCENTRICITY TRUE POSITION PERPENDICULARITY CIRCULAR RUN OUT TOTAL RUN OUT COUNTERBORE COUNTERSINK HOLE DEPTH SYMMETRIC	
CLASS	SAE 10	DESCRIPTION	10,4,13T8/16,D4,120
MAKE	X	WEIGHT	36.4 LB
BUY		VOLUME	
HEAT TREAT		FINISH	

ITEM NO.	PART NUMBER	DESCRIPTION	QTY.
1	123109	FLYWHEEL COUPLING ASSEMBLY	1
2	123008-ES4	PUMP MOUNT PLATE	1

	NAME	DATE
DRAWN	VHA	8/7/2023
PCM APPR.		
ENG APPR.	ZS	8/11/2023
SHIP. APPR.		
QA APPR.		
MATERIAL		

HAYES

TITLE: PUMP DRIVE KIT

DWG. NO. 123584

REV J

DO NOT SCALE SHEET 1 OF 4