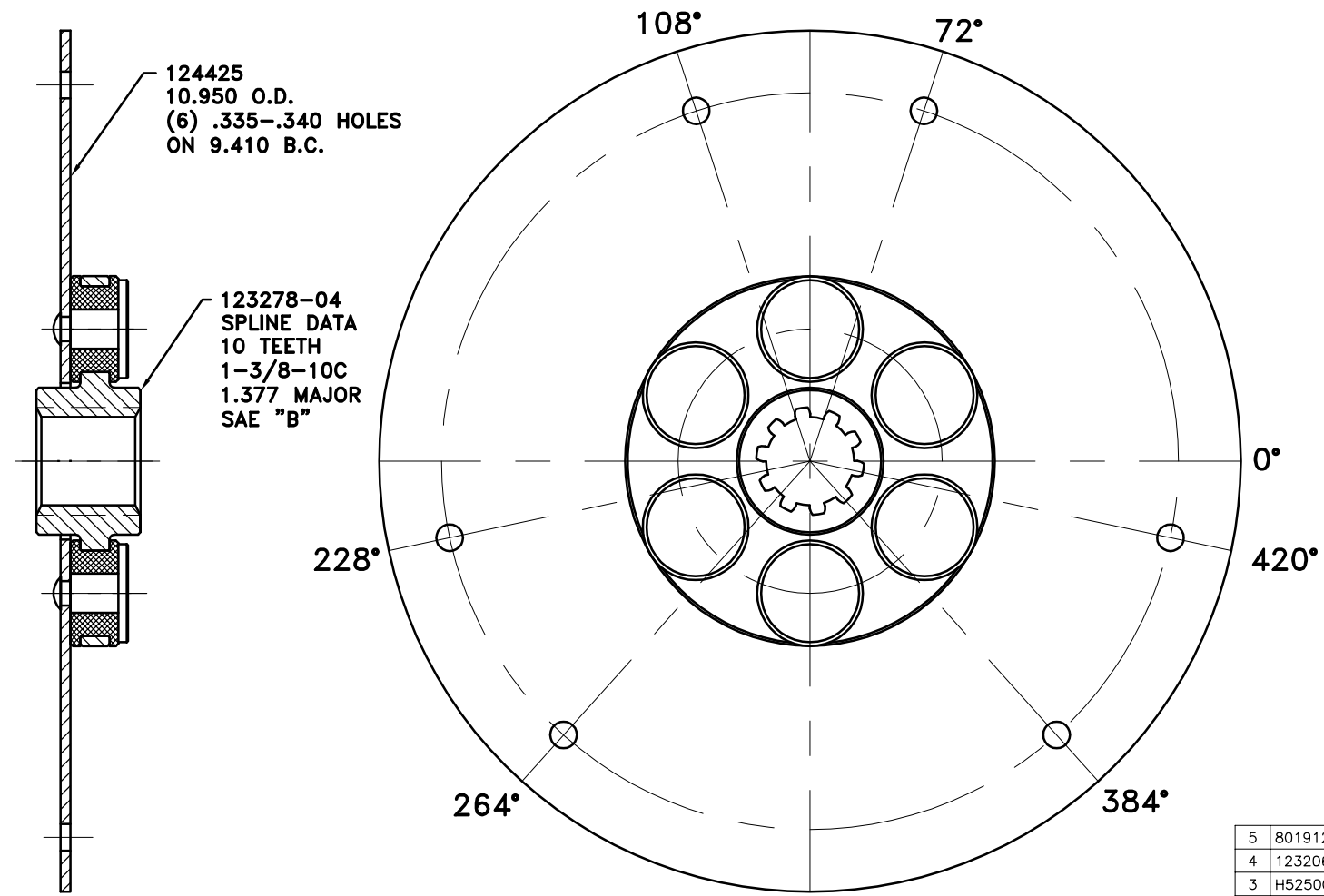


REV. NO.	SYM.	DATE	CHANGE DESCRIPTION	DWN.
	A	1/96	CHANGED BC & PATTERN	RH



QTY.	DESCRIPTION	PART NUMBER
1	FLYWHEEL PLATE	124425
1	COUPLING HUB	123278-04
6	NEOPRENE INSERT	H52500
6	STEEL RIVET	123206-01
1	GREASE	801912

SYMBOLS	DET.	PART NUMBER	DESCRIPTION	QTY.
<ul style="list-style-type: none"> ▭ FLATNESS — STRAIGHTNESS ∠ ANGULARITY ⊥ SQUARENESS ∥ PARALLELISM ⊙ CONCENTRICITY ⊕ TRUE POSITION ○ ROUNDNESS ⊖ CIRCULAR RUN OUT ⊖ TOTAL RUN OUT ⊖ CYLINDRICITY ✓ FINISH 	DO NOT SCALE DRAWING			
	TITLE FLYWHEEL COUPLING ASS'Y			
	MATERIAL			
	- UNLESS OTHERWISE SPECIFIED - REMOVE FIRST THREAD ON ALL TAPPED HOLES BREAK ALL SHARP CORNERS .010 TO .020 STAMP OR MARK DRAWING NO.	DRAWN BY HAVEMAN	DATE 11-22-94	DRAWING NO. 124264 SHEET OF REV.

THIS DRAWING IS THE PROPERTY OF HAYES MFG. INC. AND IS LOANED SUBJECT TO THE CONDITION THAT IT SHALL NOT BE REPRODUCED, COPIED, LOANED OR OTHERWISE DISPOSED OF, DIRECTLY OR INDIRECTLY. IT SHALL BE USED AS A MEANS OF REFERENCE TO WORK FURNISHED BY THIS COMPANY ONLY AND IS NOT TO BE SUBMITTED TO OUTSIDE PARTIES FOR EXAMINATION WITHOUT OUR CONSENT.