

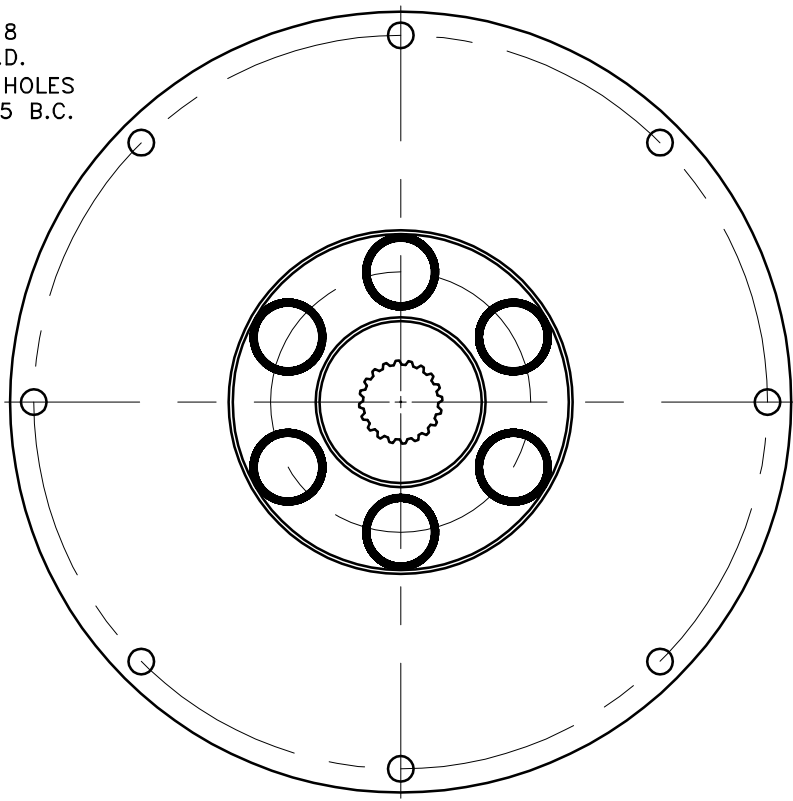
PT# 123008-EX4
 S.A.E. HOUSING MOUNT 27/64 DRILL THRU
 12 HOLES EQUALLY SPACED ON 15.00 B.C.
 5" PUMP PILOT S.A.E. "C" PUMP MOUNT.
 (4) 1/2-13 TAPPED HOLES EQUALLY
 SPACED ON 6.375 B.C.

123243-18
 12.374 O.D.
 (8) .406 HOLES
 ON 11.625 B.C.

PUMP
 OR MOTOR

2.220 PUMP SHAFT

123214-21
 SPLINE DATA
 20 TEETH
 16/32 D.P.
 30° P.A.
 1.338 MAJOR



REV. NO.	SYM.	DATE	CHANGE DESCRIPTION	DWN.
	A	12/97	CHANGED .3906 TO .406	RH
000036	B	1/99	CHANGED SAE DESCRIPTION	RH
000138	C	11/00	CHANGED EQ4 TO EX4	RH

UP TO 110 HP

COUPLING ASS'Y
 #124568

QTY.	PART NUMBER	DESCRIPTION
1	123008-EX4	PUMP MOUNT PLATE
1	HP-1625-S-62	HUBBARD PLUG
1	801912	GREASE
6	123238-01	STEEL RIVET
6	H62500	NEOPRENE INSERT
1	123214-21	COUPLING HUB
1	123243-18	FLYWHEEL PLATE

SYMBOLS	DET.	PART NUMBER	DESCRIPTION	QTY.
▨ FLATNESS — STRAIGHTNESS ∠ ANGULARITY ⊥ SQUARENESS // PARALLELISM ◎ CONCENTRICITY ⊕ TRUE POSITION ○ ROUNDNESS Ⓢ CIRCULAR RUN OUT Ⓣ TOTAL RUN OUT Ⓢ CYLINDRICITY ✓ FINISH	DO NOT SCALE DRAWING TOLERANCES UNLESS OTHERWISE SPECIFIED ANGLE ±1/2° FRACTION ±1/32 DECIMAL .00 ±.01 .000 ±.005 .0000 ±.0005			
- UNLESS OTHERWISE SPECIFIED - REMOVE FIRST THREAD ON ALL TAPPED HOLES BREAK ALL SHARP CORNERS .010 TO .020 STAMP OR MARK DRAWING NO.		TITLE FLYWHEEL COUPLING ASS'Y WITH PUMP MOUNT PLATE MATERIAL	DRAWN BY HAVEMAN	DATE 10-21-96
		DRAWING NO. 124567	CHECKED BY SCALE	SHEET OF REV.

THIS DRAWING IS THE PROPERTY OF HAYES MFG. INC. AND IS LOANED
 SUBJECT TO THE CONDITION THAT IT SHALL NOT BE REPRODUCED,
 COPIED, LOANED OR OTHERWISE DISPOSED OF, DIRECTLY OR INDIRECTLY.
 IT SHALL BE USED AS A MEANS OF REFERENCE TO WORK FURNISHED BY
 THIS COMPANY ONLY AND IS NOT TO BE SUBMITTED TO OUTSIDE PARTIES
 FOR EXAMINATION WITHOUT OUR CONSENT.