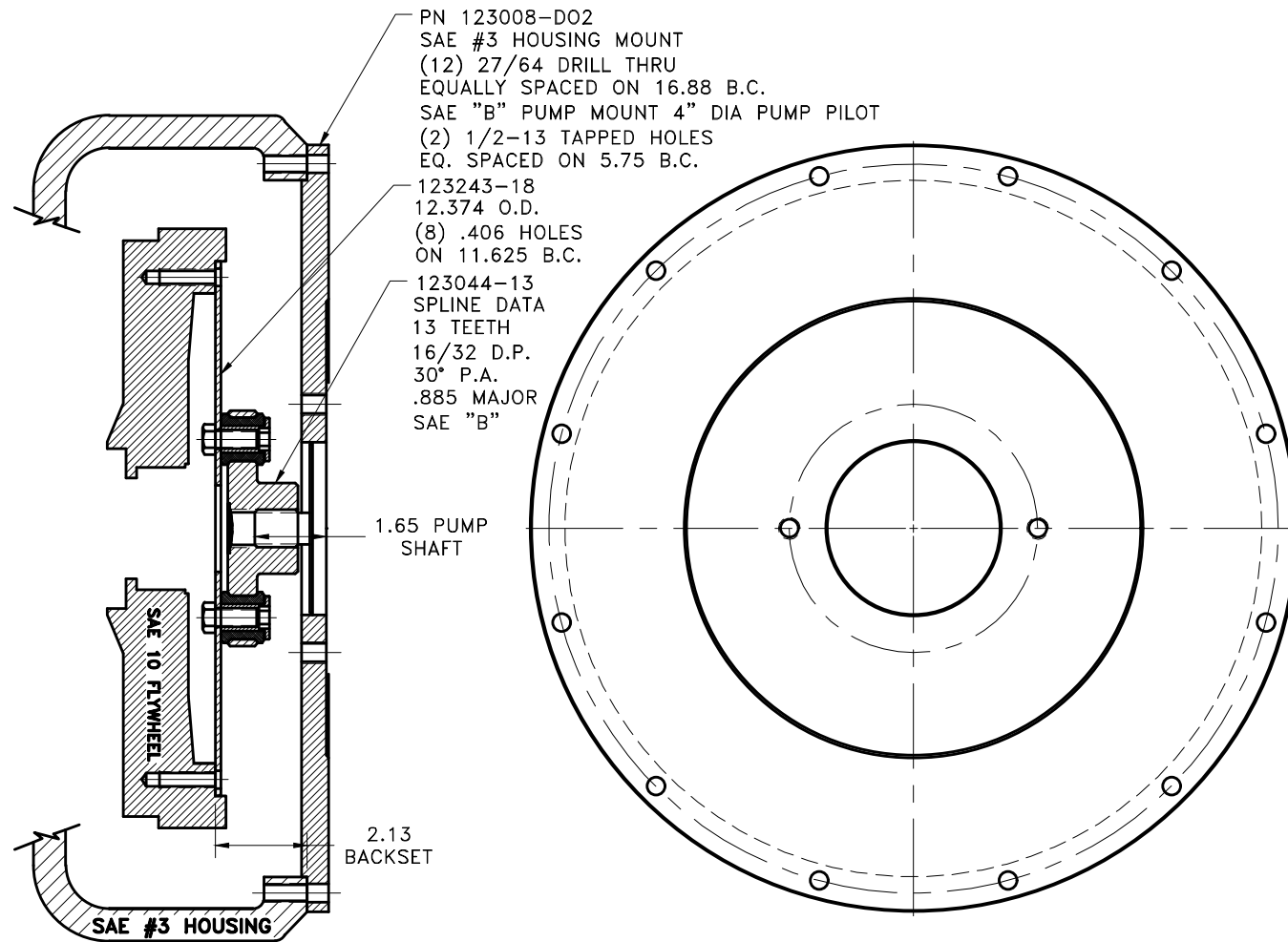


REV	DATE	CHANGE DESCRIPTION	MOD.BY	CK1	CK2
E	01/22/2013	CHANGED TO THREADED BUSHING	KH	HM	JM



PN 123008-DO2  
SAE #3 HOUSING MOUNT  
(12) 27/64 DRILL THRU  
EQUALLY SPACED ON 16.88 B.C.  
SAE "B" PUMP MOUNT 4" DIA PUMP PILOT  
(2) 1/2-13 TAPPED HOLES  
EQ. SPACED ON 5.75 B.C.

123243-18  
12.374 O.D.  
(8) .406 HOLES  
ON 11.625 B.C.

123044-13  
SPLINE DATA  
13 TEETH  
16/32 D.P.  
30° P.A.  
.885 MAJOR  
SAE "B"

1.65 PUMP  
SHAFT

2.13  
BACKSET

SAE #3 HOUSING

UP TO 110 H.P.

COUPLING ASS'Y #124674

8	123008-DO2	PUMP MOUNT PLATE	1
7	801912	GREASE	1
6	HP-1125-S-32	HUBBARD PLUG	1
5	BOLT	7/16-20x1 HHB Y D	6
4	123727	THREADED BUSHING	6
3	H62500	NEOPRENE INSERT	6
2	123044-13	COUP HUB [13T16/32\4.125]	1
1	123243-18	FLYWHEEL PLATE [10\4.125]	1

SYMBOLS		DET.	PART NUMBER	DESCRIPTION	QTY.
	FLATNESS	DO NOT SCALE			
	STRAIGHTNESS	DRAWING			
	ANGULARITY	TOLERANCES UNLESS OTHERWISE SPECIFIED			
	PERPENDICULARITY				
	PARALLELISM				
	CONCENTRICITY				
	TRUE POSITION				
	ROUNDNESS	ANGLE ±1/2°			
	CIRCULAR RUN OUT	FRACTION ±1/32			
	TOTAL RUN OUT	DECIMAL			
	CYLINDRICITY	.00 ±.01			
	FINISH	.000 ±.005			
		.0000 ±.0005			



TITLE  
FLYWHEEL COUPLING ASS'Y WITH PUMP MOUNT PLATE

MATERIAL

CLASS	MAKE: <input type="checkbox"/> BUY: <input type="checkbox"/>	DRAWN BY	DATE	DRAWING NO.
DESCRIPTION		SIETING	03-19-97	124675
		CHECKED BY	SCALE	SHEET OF REV.
		RJH		

THIS DRAWING IS THE PROPERTY OF HAYES MFG. INC. AND IS LOANED SUBJECT TO THE CONDITION THAT IT SHALL NOT BE REPRODUCED, COPIED, LOANED OR OTHERWISE DISPOSED OF, DIRECTLY OR INDIRECTLY. IT SHALL BE USED AS A MEANS OF REFERENCE TO WORK FURNISHED BY THIS COMPANY ONLY AND IS NOT TO BE SUBMITTED TO OUTSIDE PARTIES FOR EXAMINATION WITHOUT OUR CONSENT.