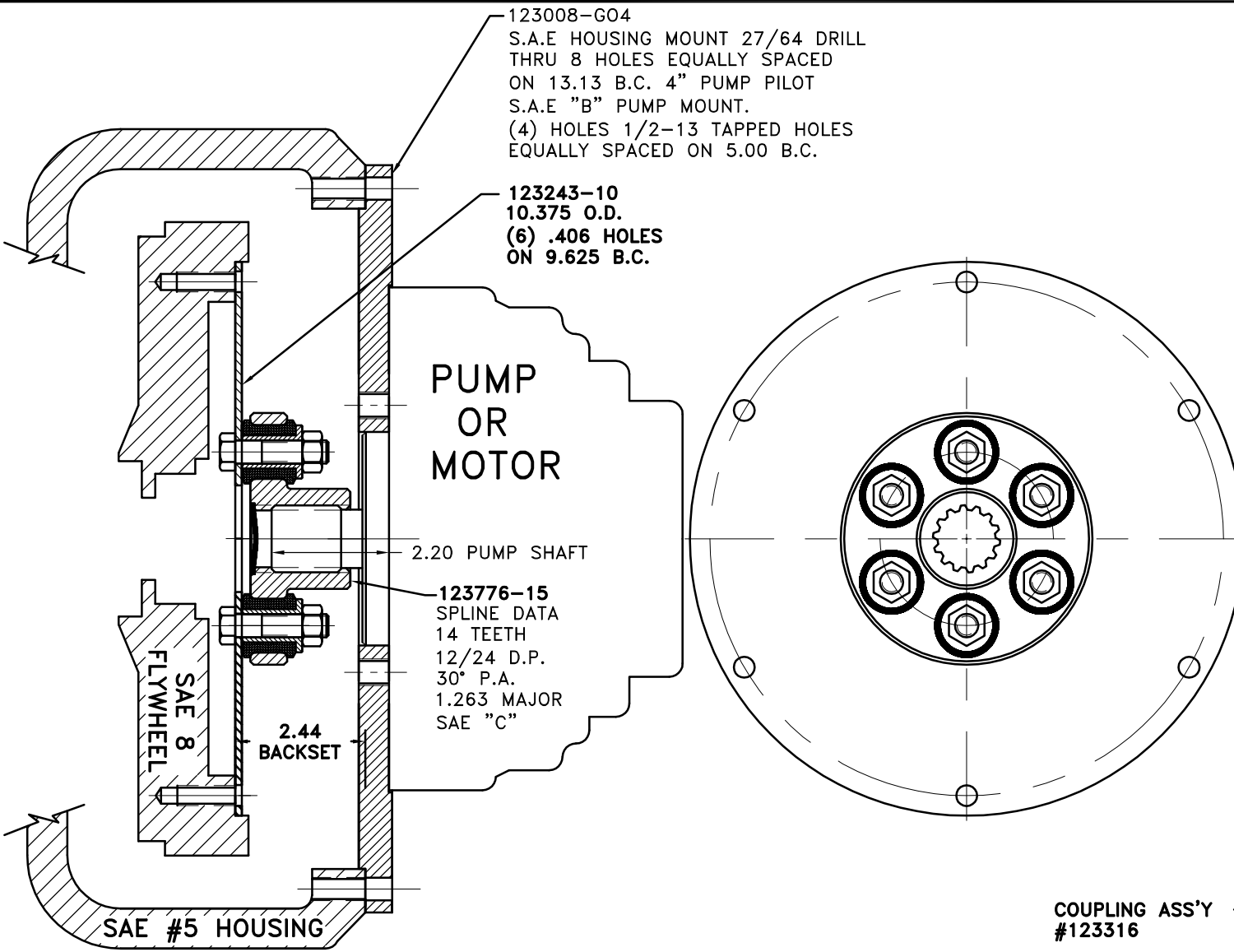


REV	DATE	CHANGE DESCRIPTION	MOD.BY	CK1	CK2
D	07/24/2001	CHANGED TO BOLTED	MAYCROFT	HM	MM



123008-G04
S.A.E HOUSING MOUNT 27/64 DRILL
THRU 8 HOLES EQUALLY SPACED
ON 13.13 B.C. 4" PUMP PILOT
S.A.E "B" PUMP MOUNT.
(4) HOLES 1/2-13 TAPPED HOLES
EQUALLY SPACED ON 5.00 B.C.

123243-10
10.375 O.D.
(6) .406 HOLES
ON 9.625 B.C.

PUMP
OR
MOTOR

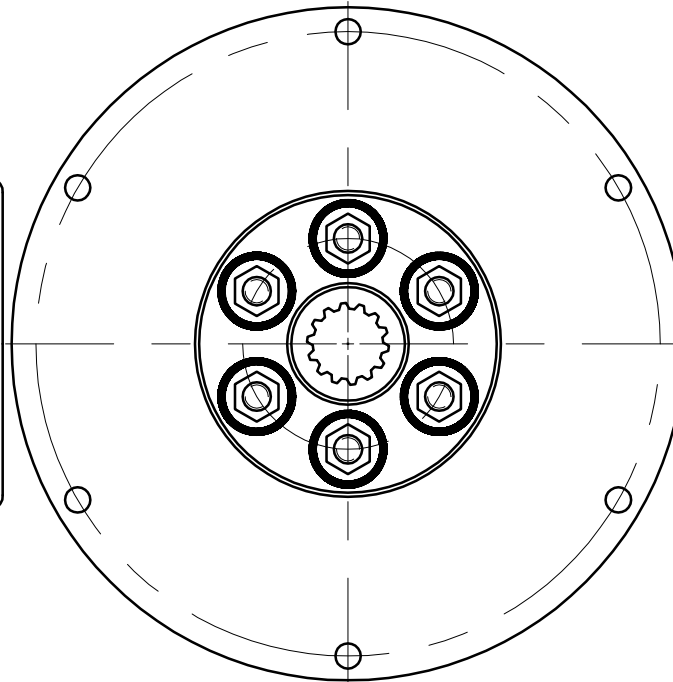
2.20 PUMP SHAFT

123776-15
SPLINE DATA
14 TEETH
12/24 D.P.
30° P.A.
1.263 MAJOR
SAE "C"

2.44
BACKSET

FLYWHEEL
SAE 8

SAE #5 HOUSING



COUPLING ASS'Y
#123316

UP TO 65 HP

QTY.	PART NUMBER	DESCRIPTION
1	123008-G04	PUMP MOUNT PLATE
1	801912	GREASE
1	HP-1312-S-62	HUBBARD PLUG
6	N250	7/16-20 NUT
6	HX230	7/16-20x1-3/4 HHB
6	123000-00	STEEL BUSHING
6	H62500	NEOPRENE INSERT
1	123776-15	COUPLING HUB
1	123243-10	FLYWHEEL PLATE

SYMBOLS	DET.	PART NUMBER	DESCRIPTION	QTY.
▭ FLATNESS — STRAIGHTNESS ∠ ANGULARITY ⊥ SQUARENESS ∥ PARALLELISM ⊙ CONCENTRICITY ⊕ TRUE POSITION ○ ROUNDNESS ⊖ CIRCULAR RUN OUT ⊖ TOTAL RUN OUT ⊖ CYLINDRICITY ✓ FINISH	DO NOT SCALE DRAWING TOLERANCES UNLESS OTHERWISE SPECIFIED 125/ MAXIMUM ANGLE ±1/2° FRACTION ±1/32 DECIMAL .00 ±.01 .000 ±.005 .0000 ±.0005			
- UNLESS OTHERWISE SPECIFIED - REMOVE FIRST THREAD ON ALL TAPPED HOLES BREAK ALL SHARP CORNERS .010 TO .020 STAMP OR MARK DRAWING NO.		DRAWN BY MAYCROFT	DATE 11-18-97	DRAWING NO. 124859 SHEET OF REV.

THIS DRAWING IS THE PROPERTY OF HAYES MFG. INC. AND IS LOANED
SUBJECT TO THE CONDITION THAT IT SHALL NOT BE REPRODUCED,
COPIED, LOANED OR OTHERWISE DISPOSED OF, DIRECTLY OR INDIRECTLY.
IT SHALL BE USED AS A MEANS OF REFERENCE TO WORK FURNISHED BY
THIS COMPANY ONLY AND IS NOT TO BE SUBMITTED TO OUTSIDE PARTIES
FOR EXAMINATION WITHOUT OUR CONSENT.