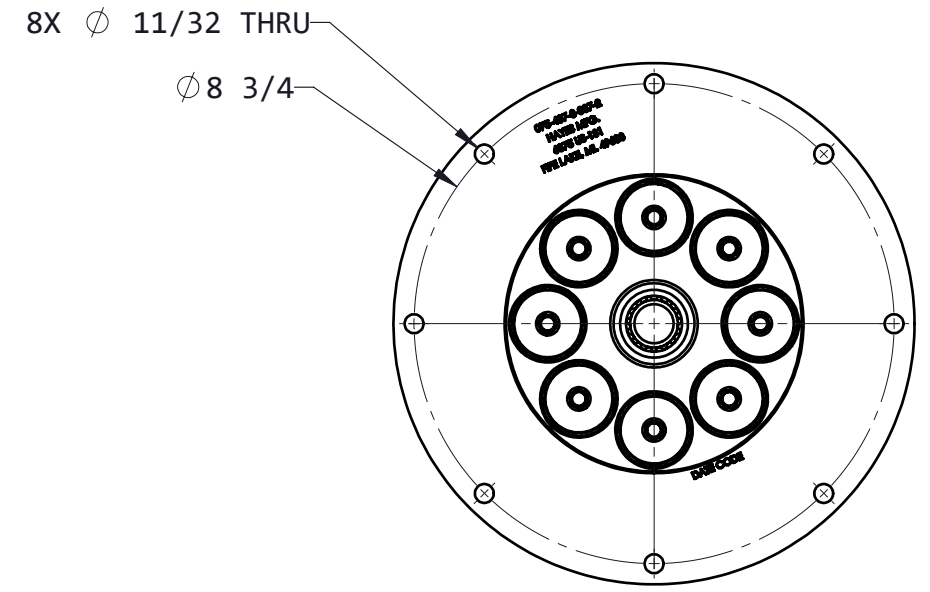
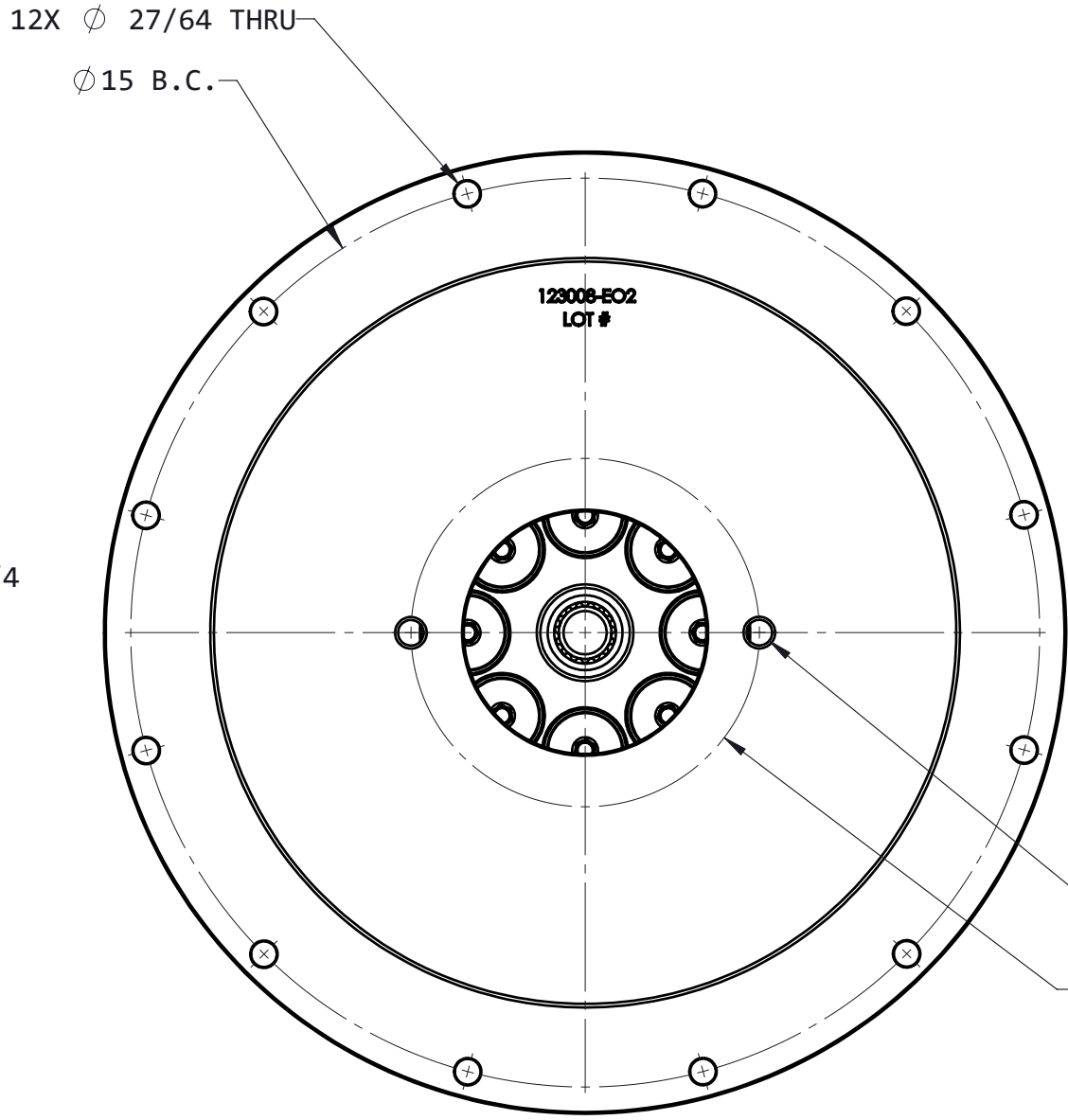
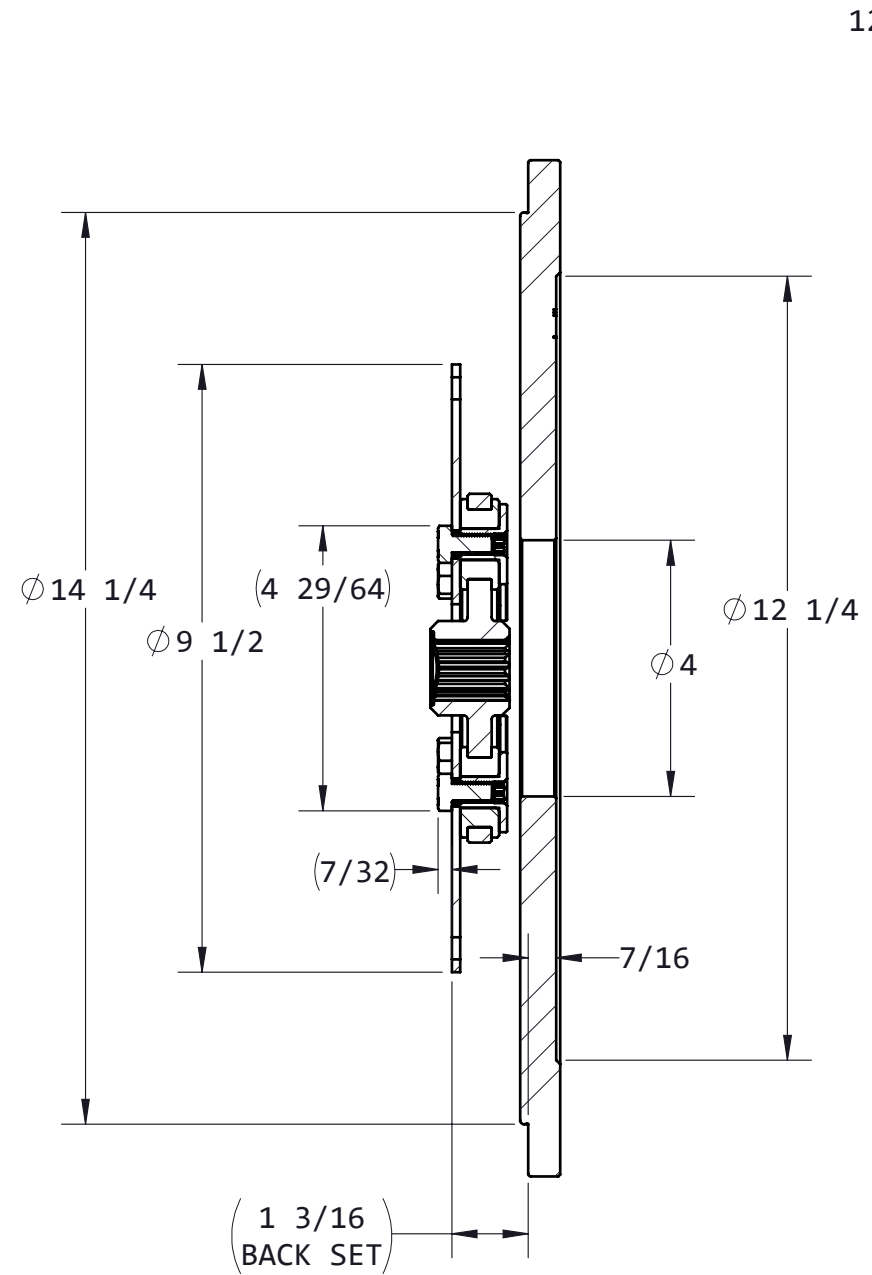


CUSTOMER DRAWING

REVISIONS						
ZONE	REV.	DESCRIPTION	DATE	APR 1	APR 2	DCR #
	C	DRAWN IN SOLIDWORKS, CONVERTED TO PILOTED BUSHINGS	12/7/2023	ZS		4268



COUPLING IS NOT SERVICABLE

ITEM NO.	PART NUMBER	DESCRIPTION	QTY.
1	124308	FLYWHEEL COUPLING ASSEMBLY	1
2	123008-E02	PUMP MOUNT PLATE	1

PUMP DRIVE SPECS	
FLYWHEEL	SAE 7.5
HOUSING	SAE 4
PUMP FLANGE	SAE B 2-BOLT
PUMP SHAFT	15T 16/32"BB"
HP RATING (@1800 RPM)	75

PROPRIETARY AND CONFIDENTIAL
 THE INFORMATION CONTAINED IN THIS DRAWING IS THE SOLE PROPERTY OF HAYES MANUFACTURING. ANY REPRODUCTION IN PART OR AS A WHOLE WITHOUT THE WRITTEN PERMISSION OF HAYES MANUFACTURING IS PROHIBITED.

UNLESS OTHERWISE SPECIFIED: DIMENSIONS ARE IN INCHES TOLERANCES: FRACTIONAL: $\pm 1/32$ ANGULAR: MACH: $\pm 1/2^\circ$ TWO DECIMAL: $\pm .01$ THREE DECIMAL: $\pm .005$ FOUR DECIMAL: $\pm .0005$			SYMBOLS □ FLATNESS ⊙ CONCENTRICITY ⊔ COUNTERBORE ○ ROUNDNESS ⊕ TRUE POSITION ∇ COUNTERSINK // PARALLELISM ⊥ PERPENDICULARITY ≡ SYMMETRIC ∅ DIAMETER ↗ CIRCULAR RUN OUT "R" RADIUS ↗ TOTAL RUN OUT		
CLASS SAE 7.5			NAME MM		
DESCRIPTION 7-1/2, 4, 15T16/32, B2, 75			DATE 12/7/2023		
MAKE X	WEIGHT 34.3 LB	HEAT TREAT	DRAWN MM		
BUY	VOLUME CU. IN.	FINISH	PCM APPR. HM		

DATE	12/7/2023
DATE	12/13/2023
DATE	12/12/2023
SHIP. APPR.	
QA APPR.	
MATERIAL	

HAYES

TITLE:
FLYWHEEL COUPLING ASSY W/PMP

DWG. NO. 124895 REV C

DO NOT SCALE SHEET 1 OF 4