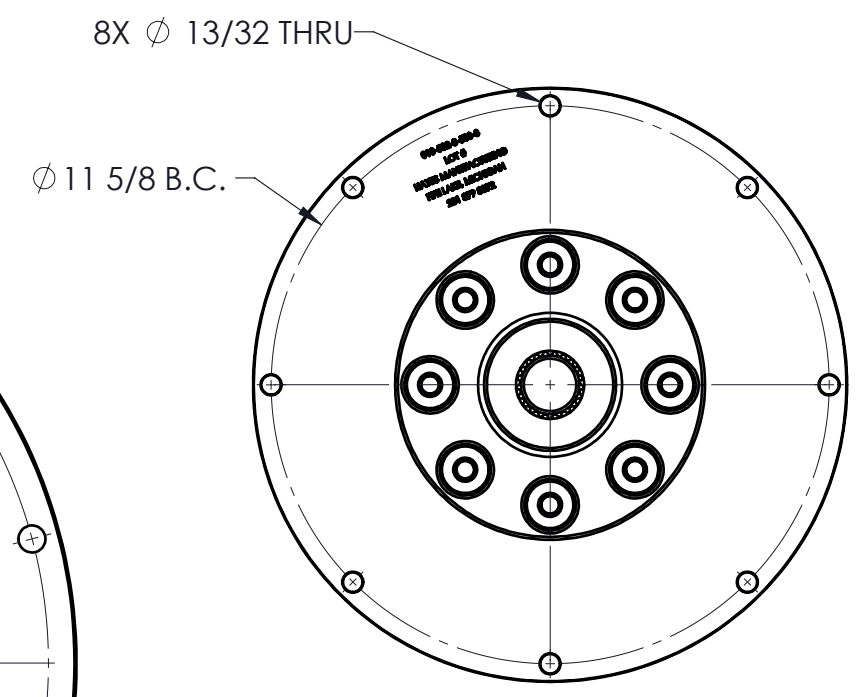
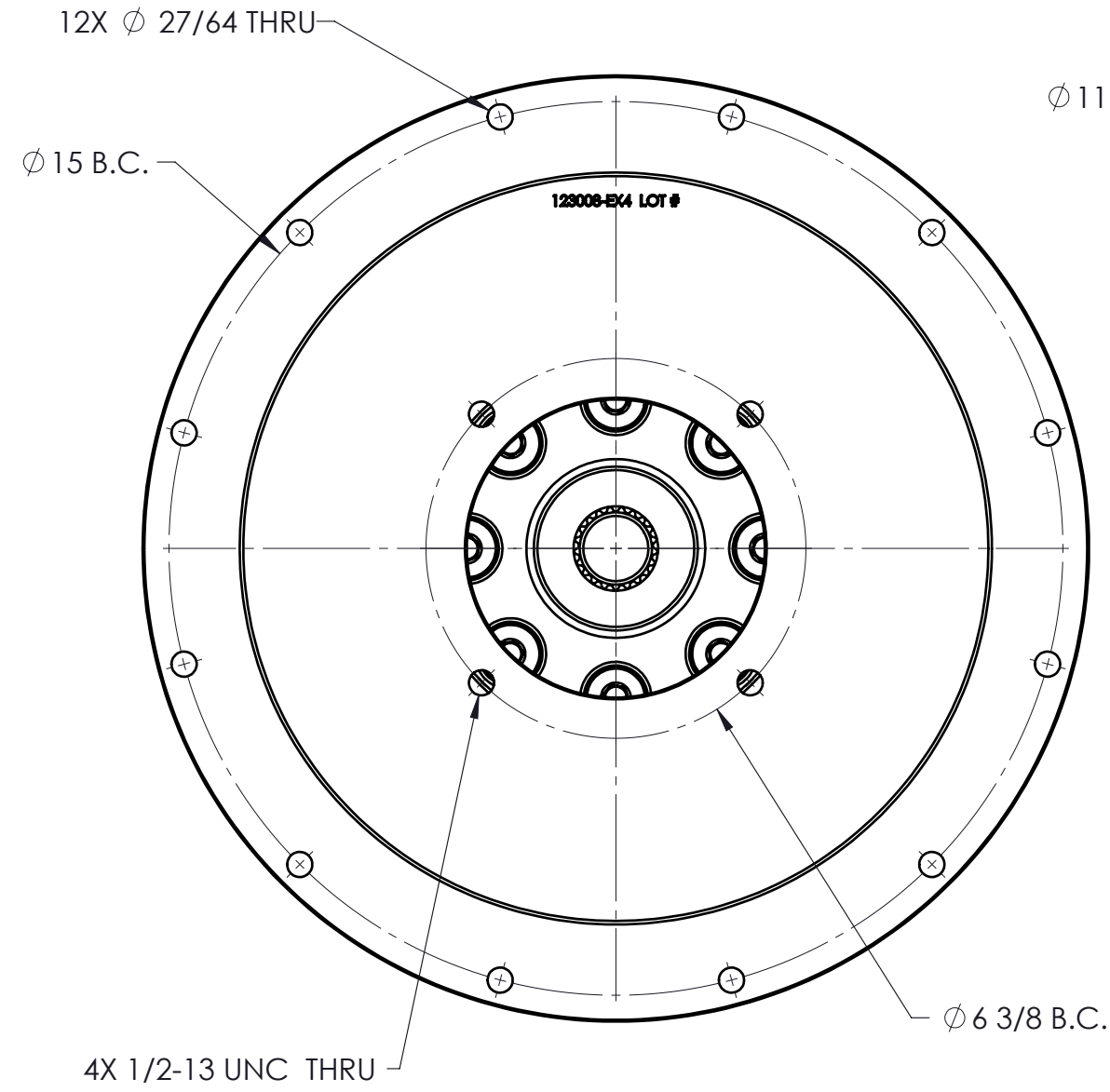
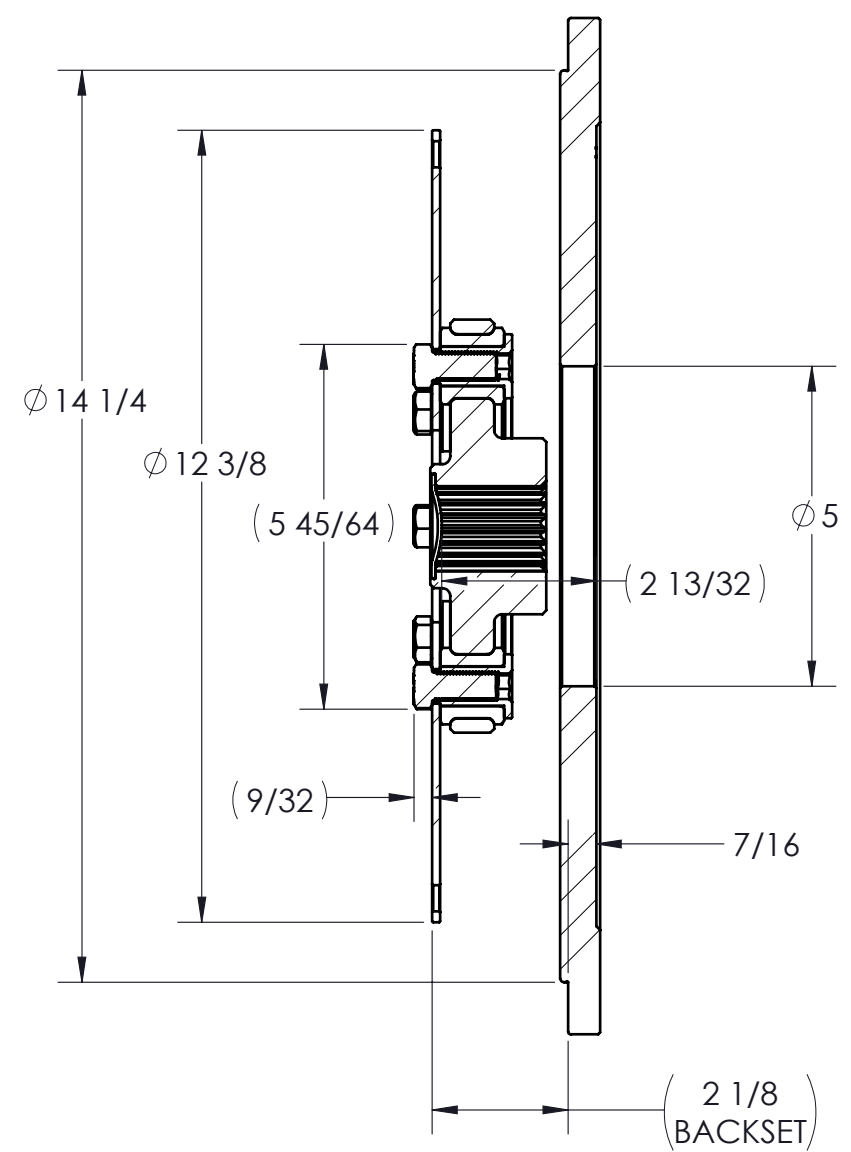


CUSTOMER DRAWING

REVISIONS					
ZONE	REV.	DESCRIPTION	DATE	APR 1	APR 2
	C	UPDATED TO PILOTED BUSHINGS	10/5/2022	ZS	



PUMP DRIVE SPECS	
FLYWHEEL	SAE 10
HOUSING	SAE 4
PUMP FLANGE	SAE C 4-BOLT
PUMP SHAFT	21T 16/32
HP RATING (@1800 RPM)	150

PROPRIETARY AND CONFIDENTIAL
 THE INFORMATION CONTAINED IN THIS DRAWING IS THE SOLE PROPERTY OF HAYES MANUFACTURING. ANY REPRODUCTION IN PART OR AS A WHOLE WITHOUT THE WRITTEN PERMISSION OF HAYES MANUFACTURING IS PROHIBITED.

UNLESS OTHERWISE SPECIFIED: DIMENSIONS ARE IN INCHES TOLERANCES: FRACTIONAL $\pm 1/32$ ANGULAR: MACH $\pm 1/2^\circ$ TWO DECIMAL $\pm .01$ THREE DECIMAL $\pm .005$ FOUR DECIMAL $\pm .0005$			SYMBOLS □ FLATNESS ⊙ CONCENTRICITY ⊔ COUNTERBORE ○ ROUNDNESS ⊕ TRUE POSITION ▽ COUNTERSINK // PARALLELISM ⊥ PERPENDICULARITY = SYMMETRIC ∅ DIAMETER ↗ CIRCULAR RUN OUT *R* RADIUS ↖ TOTAL RUN OUT		
CLASS	SAE 10		NAME	VHA	
DESCRIPTION	10,4,21T16/32,C4,150		DATE	10/5/2022	
MAKE	WEIGHT	HEAT TREAT	PCB APPR.		
X	39.30 LB		ENG APPR.	ZS 3/15/2023	
BUY	VOLUME	FINISH	SHIP. APPR.		
	CU.IN.		QA APPR.		
			MATERIAL		

ITEM NO.	PART NUMBER	DESCRIPTION	QTY.
1	124652	FLYWHEEL COUPLING ASSM.	1
2	123008-EX4	PUMP MOUNT PLATE	1

HAYES

TITLE: PUMP DRIVE KIT

DWG. NO. 125315

REV C

DO NOT SCALE SHEET 1 OF 4