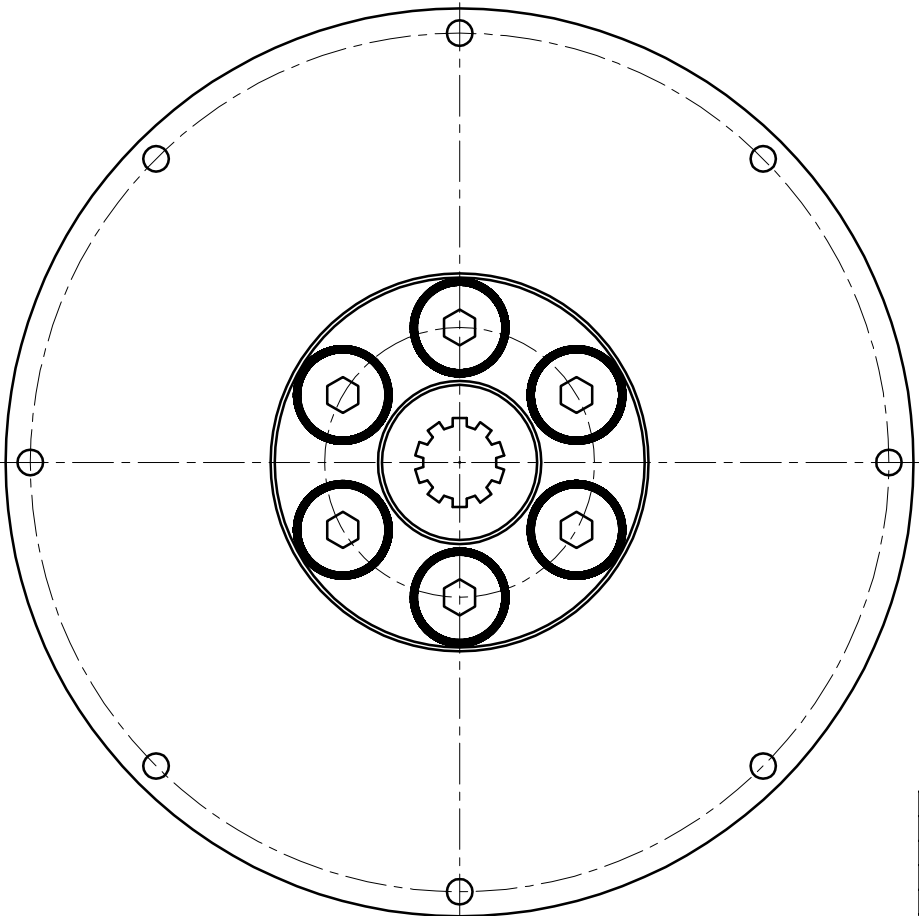
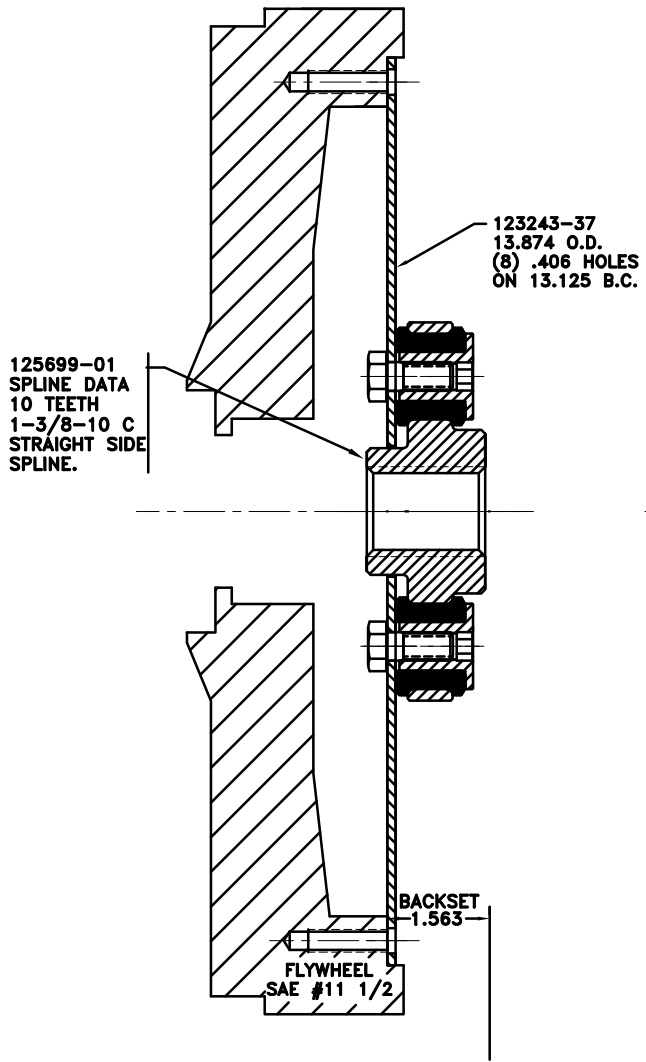


SYL.	DATE	CHANGE DESCRIPTION	DRW.



UP TO 110 H.P.

QTY.	PART NUMBER	DESCRIPTION	QTY.
6	801912	GREASE	1
5	HX200	7/16-20-1 BOLT	6
4	H92500	NEOPRENE INSERT	6
3	124412	THREADED BUSHING	6
2	125699-01	COUPLING HUB	1
1	123243-37	FLYWHEEL PLATE	1

SYMBOLS
 FLATNESS
 STRAIGHTNESS
 ANGULARITY
 SQUARENESS
 PARALLELISM
 CONCENTRICITY
 THICK POSITION
 SYMMETRY
 LOC. SURFACE
 SQUARENESS
 RUN OUT
 FREE

DO NOT SCALE DRAWING
 TOLERANCES UNLESS OTHERWISE SPECIFIED
 TABLE 141 OF FRACTION 21/32
 DECIMAL
 .05
 .010
 .005
 .0025

HAYES
 MANUFACTURING INC.

TITLE: FLYWHEEL COUPLING ASS'Y

MATERIAL:

- UNLESS OTHERWISE SPECIFIED - REMOVE FIRST THREAD ON ALL TAPPED HOLES BREAK ALL SHARP CORNERS .010 TO .005 STAMP OR MARK DRAWING NO.		DRAWN BY: HAVEMAN2-21-00 CHECKED BY: SCALE: FULL	DATE: 125791 SHEET OF REV.
--	--	---	-------------------------------

THIS DRAWING IS THE PROPERTY OF HAYES MFG. INC. AND IS LOANED SUBJECT TO THE CONDITION THAT IT SHALL NOT BE REPRODUCED, COPIED, LOANED OR OTHERWISE DISPOSED OF, DIRECTLY OR INDIRECTLY. IT SHALL BE USED AS A MEANS OF REFERENCE TO WORK FURNISHED BY THIS COMPANY ONLY AND IS NOT TO BE SUBMITTED TO OUTSIDE PARTIES FOR EXAMINATION WITHOUT OUR CONSENT.